

CONTENTS	Page
1. Description, use	1
2. Range	1
3. Dimensions.....	1
4. General characteristics	3
5. Implementation stages	4
6. Compliance and approvals.....	5
7. Installation add-ons.....	5

1. DESCRIPTION, USE

Flush-mounting or surface-mounting cabinets that can be equipped to suit your needs to distribute services throughout the house: data, Internet, TV IP, telephone on RJ45 sockets and terrestrial TV via a coaxial cable, etc.

Supplied with a white door

Flush-mounts in dry partition, brick or masonry walls, with 72 mm shallow box

Boxes for dry partitions: green with fixing claws supplied

Boxes for masonry: black

Halogen-free enclosures

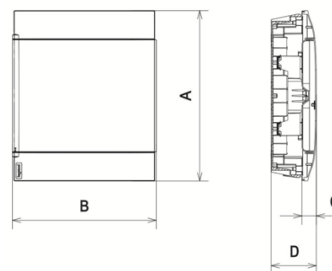
2. RANGE

Cat. No.	Door colour	Box type
1 357 02	White	Masonry
1 357 22		Dry partition
1 358 02		Surface-mounting

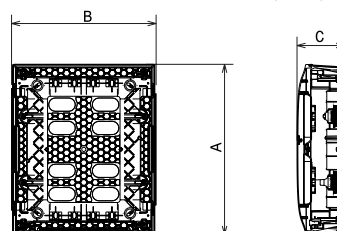
3. DIMENSIONS

■ 3.1 Dimensions

Cat. No.	A (mm)	B (mm)	C (mm)	D (mm)
1 357 02/22	385	328	33	105



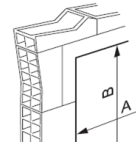
Cat. No.	A (mm)	B (mm)	C (mm)
1 358 02	386	328	108



3. DIMENSIONS (continued)

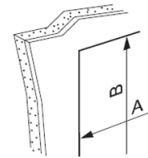
■ **3.2 Cut-out dimensions in masonry wall**

Cat. No.	A (mm)	B (mm)
1 357 02	310	385



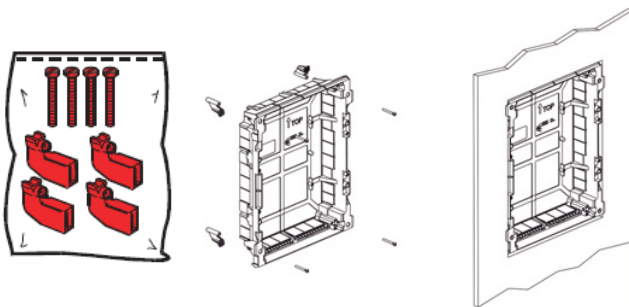
■ **3.3 Cut-out dimensions for mounting in dry partitions**

Cat. No.	A (mm)	B (mm)
1 357 22	286	375



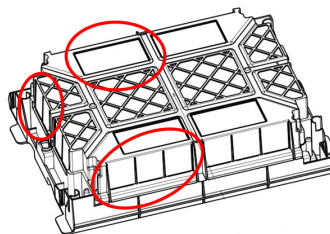
The dry partition fixing kit is included with boxes intended for this type of use.

. Tightening torque of claw screws: 0.8 Nm



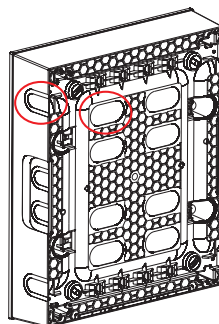
■ **3.4 Flush-mounting cabinet inputs**

Cat. No.	Ø30 mm at top/bottom of box	Ø30 mm on sides of box	Ø25 mm on sides of box	70x35 mm at back of box
1 357 02/22	6	3	4	6

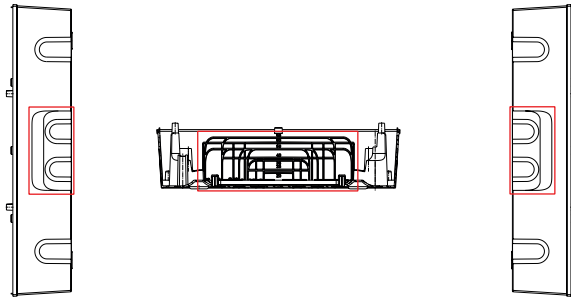


■ **3.5 Surface-mounting cabinet inputs**

Cat. No.	Ø30 mm tube on sides of box	46x30 mm oblong hole at back of box
1 358 02	4	8



Cat. No.	105x35 mm duct 105x50 sides of cabinet	40x20 mm duct at 200x65 mm at top of cabinet
1 358 02	1	1



4. GENERAL CHARACTERISTICS

■ 4.1 Technical characteristics

- . Cover colour: white RAL 9003
- . Door colour: white RAL 9003
- . Protection index: IP40 - IK07 with door conforming to IEC 60 670-24 Edition 2.0 2011-03
- . Self-extinguishing in accordance with IEC 60695-2-11 Edition 2.0 2014-02:
 - boxes for dry partition 850°C/for masonry 650°C
 - covers, flaps 650°C
- . Operating torque of cover metal screws: 1.2 Nm
- . Rated operating voltage: 400 V AC - 50/60 Hz
- . Ui rated insulation voltage: 400 V AC - 50/60 Hz
- . Rated impulse withstand current: $U_{imp} = 6$ kV
- . Short-circuit current: I_{sc} max 10 kA
- . Storage and installation temperature: -25°C to +70°C
- . Usage temperature: -10°C to +40°C
- . Enclosures classified GP and PD

Cabinets 1 358 02 are only designed for installation on a flat surface (the surface area of the wall on which they are mounted must be larger than the cabinet dimensions, pole-mounting not permitted).

■ 4.2 Materials

1 357 02

- . Cover, flush-mounting box, white door, blanking plate: polystyrene (PS)
- . Screws: steel
- . Support for wiring accessories: polystyrene (PS)
- . This product is halogen-free

1 357 22

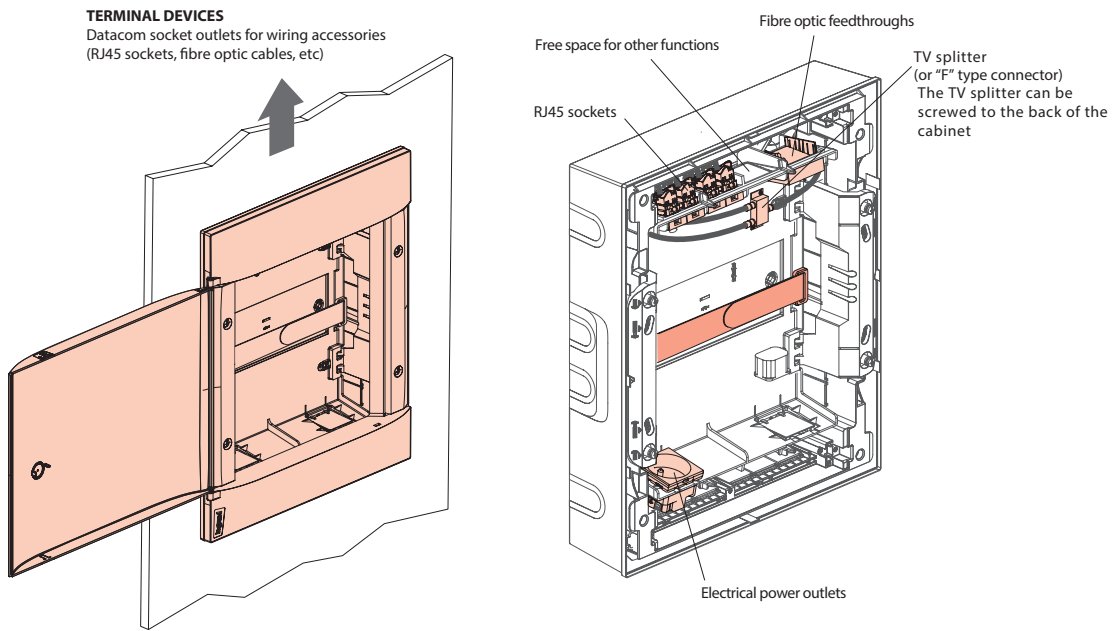
- . Cover, flush-mounting box, white door, blanking plate: polystyrene (PS)
- . Screws: steel
- . Support for wiring accessories: polystyrene (PS)
- . Fixing claws for dry partition: polystyrene (PS-HI-HT)
- . This product is halogen-free

1 358 02

- . Cover, base, white door, blanking plate: polystyrene (PS)
- . Screws: steel
- . Support for wiring accessories: polystyrene (PS)
- . Injection-moulded caps : Styrene Butadiene Styrene (SBS)
- . This product is halogen-free

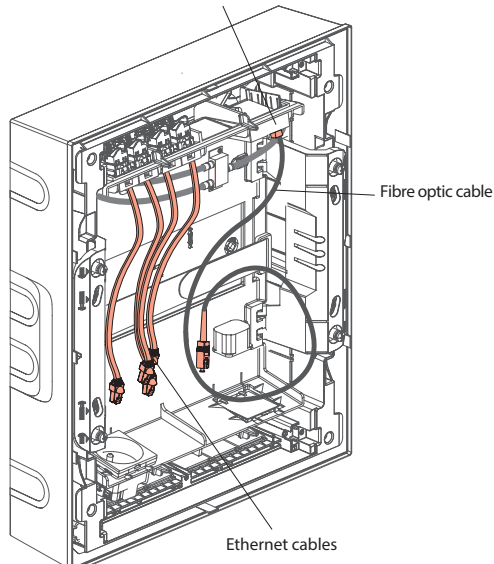
5. IMPLEMENTATION STAGES (EXAMPLES WITH A SURFACE-MOUNTING CABINET)

■ 5.1 Installing functions in the support frames

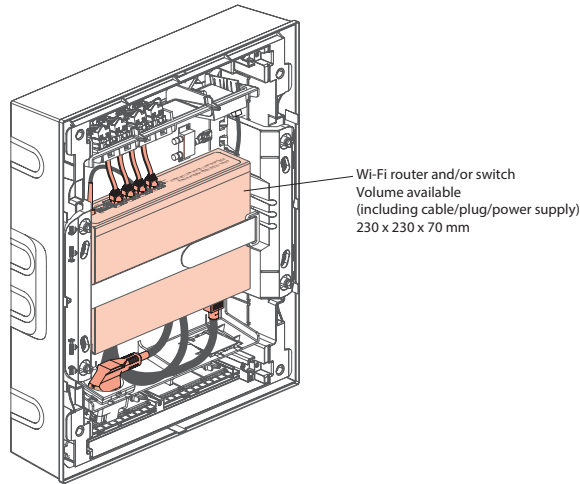


■ 5.2 Connecting cables to the connectors

The fibre optic feedthrough must be angled at 90° for ease of connection



■ 5.3 Installing the switch and its power supply and connecting cables

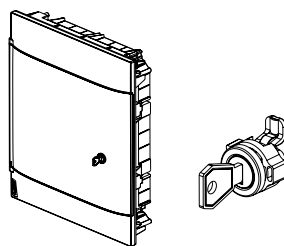


6. COMPLIANCE AND APPROVALS

- . IEC 60670-1 (2015)
- . Used to create assemblies conforming to IEC 61 439-3 Edition 1.0 2012-02
- . IEC 60 695-2-11: Edition 2014-09
- . RoHS: IEC 63000:2016
- . WEEE
- . REACH
- . PEP sheet

7. INSTALLATION ADD-ONS

■ 7.1 Key lock No. 850 Cat. No. 1 341 00



■ 7.2 External fixing lugs Cat. No. 4 018 56

External fixing lugs can be used on cabinets 1 358 02.

For external fixing if the fixing holes at the back of the cabinet have been rendered inaccessible by prewiring.

Tightening torque of external fixing lug screws: 1.2 Nm

