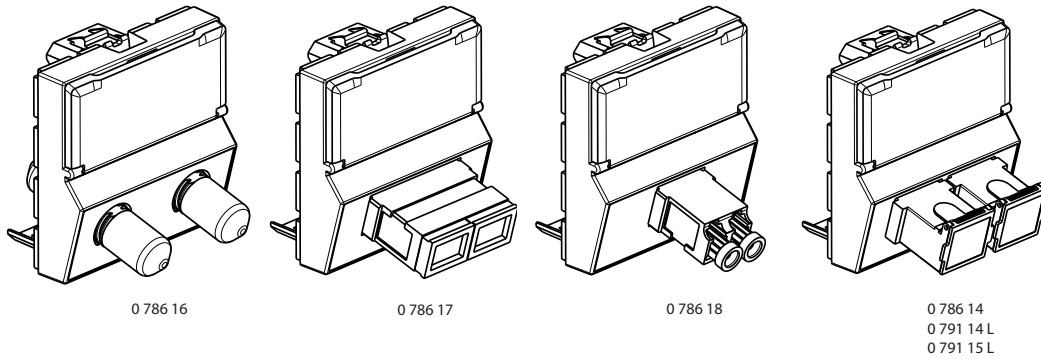


## Mosaic™ Fibre optic feedthrough sockets

Catalogue number(s): 0 786 14/16/17/18 - 0 791 14L - 0 794 15L



### 1. USE

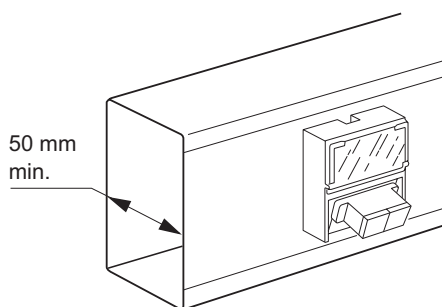
The fibre optic feedthrough sockets have duplex or double simplex feedthroughs: 2 inputs/2 outputs.

They are used to connect 2 fibres (fitted with their connectors). They are supplied with protective caps and fitted with a transparent marker holder. Number of modules : 2

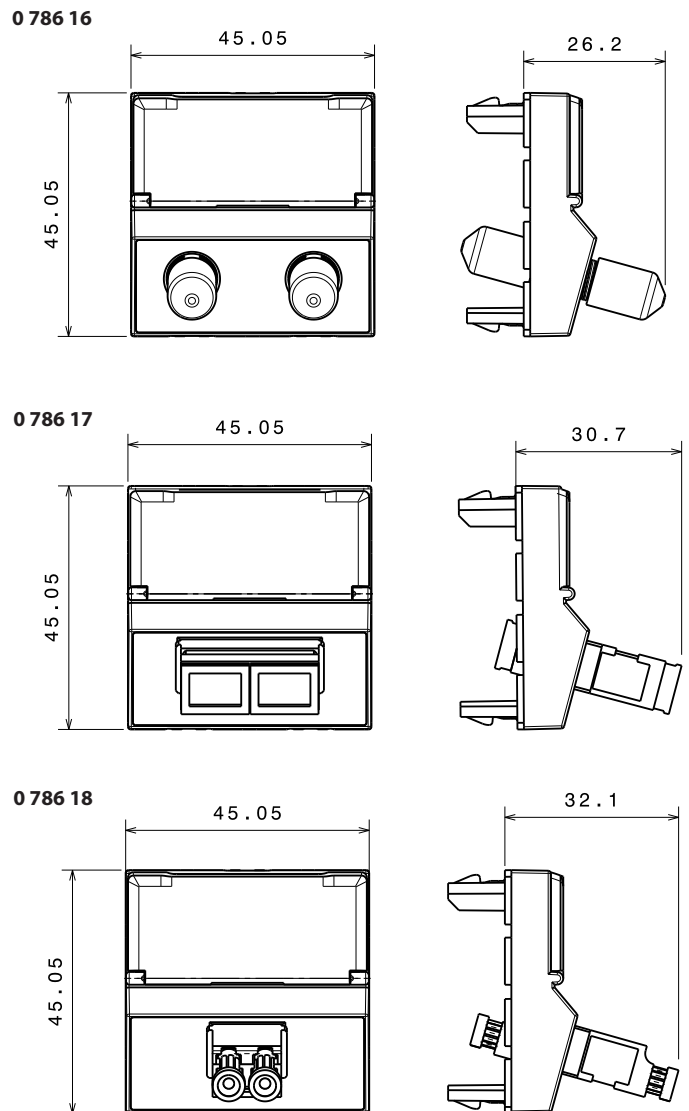
### 2. RANGE

|  | Description   |        | Mosaic                               | Weight (g) |
|--|---|--------|--------------------------------------|------------|
|  | Multimode Feedthrough socket Bayonet connection White                                     | ST     | 0 786 16                             | 49         |
|  | Multimode Feedthrough socket Push-pull connection White                                   | SC     | 0 786 17                             | 48         |
|  | Multimode Feedthrough socket Push-pull connection White                                   | LC     | 0 786 18                             | 47         |
|  | Singlemode Feedthrough socket Double simplex with flap<br>- White<br>- Mat Black<br>- Alu | SC/APC | 0 786 14<br>0 791 14 L<br>0 794 15 L | 42         |

### 3. MOUNTING: example



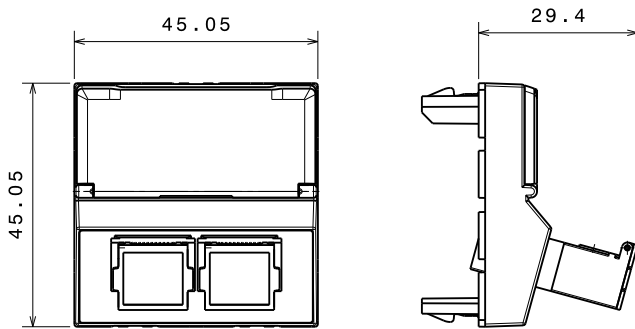
### 4. OVERALL DIMENSIONS



## Fibre optic feedthrough sockets

### 4. OVERALL DIMENSIONS (continued)

0 786 14 - 0 791 14L - 0 794 15L



### 5. TECHNICAL FEATURES

#### 5.1 Features of the connectors

ST connector

- Multimode
- Helical shape
- Locked by "push and turn" bayonet type connector

SC connector

- Multimode
- Rectangular shape
- "Push-pull" latch type locking
- Suitable for a large number of active devices
- Recommended in the generic standards ISO/IEC 11801 and EN 50173
- Conform to IEC 60874-19-3

LC connector

- Multimode
- Rectangular shape
- Tab locking
- Size: half the size of a conventional connector

SC/APC connector

- Singlemode APC
- Insertion loss: 0.2 dB
- Endurance (500 insertions): increase of 0.2 dB maximum

IK4

IP21

#### 5.2 Climatic features

- Usage and storage temperature: - 40°C to + 85°C