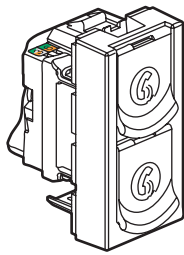
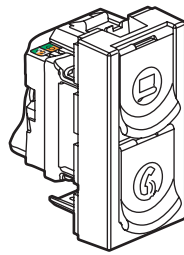


Mosaic™ RJ 45 double sockets

Catalogue number(s): 765 35/36/37/38/39



765 35



765 36

CONTENTS

Page

1. General characteristics	1
2. Presentation	1
3. Use scenarios	1
4. Technical characteristics	1
5. Installation	2
6. Overall dimensions	2
7. Connection	2
8. Standards and approvals	3

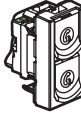


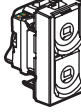
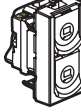
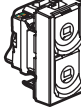
1. GENERAL CHARACTERISTICS

The double socket allows two applications to be used at the same time on a single 4-pair cable: phone/phone, phone/data, data/data. The ethernet speed is 10/100 Mbit/s.

The double socket wiring device heightens anti-theft security and damage protection and does not harm the RJ 45 socket.

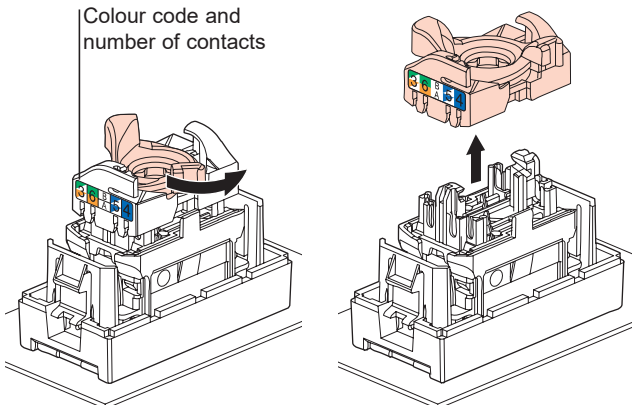
Each port has a dust-protection hood and is totally flush-fitting.

The double socket is used in association with another double socket of the same type (PHONE/PHONE, PHONE/DATA, DATA/DATA) on the patch panel.

Designation	Nbr. of modules	UTP	FTP	Weight (g)
 Double RJ 45 socket UTP TEL/TEL	1	 765 35		18
 Double RJ 45 socket UTP TEL/DATA	1	765 36		18
 Double RJ 45 socket FTP TEL/DATA	1		765 37	18
 Double RJ 45 socket UTP DATA/DATA	1	765 38		18
 Double RJ 45 socket FTP DATA/DATA	1		765 39	18

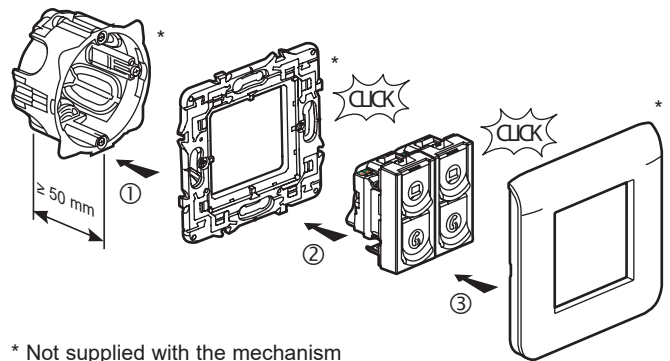
2. PRESENTATION

Colour code and number of contacts



3. USE SCENARIOS

The mechanisms can be flush-mounted or surface-mounted, in a box or or duct at least 40 mm deep.



* Not supplied with the mechanism

The mechanisms can be flush-mounted with an adaptor Cat. No. 802 99 (2 modules).

The mechanisms can be mounted on thin walls with adapters Cat. No. 802 90 (1 module), Cat. No. 802 91 (2 modules), Cat. No. 802 92 (2 x 1 module, vertical)

4. TECHNICAL CHARACTERISTICS

4.1 Material characteristics

Contacts: gold/nickel, thickness of gold > 0.8 µm min.
Metal parts: bronze, nickel, platinum, gold
PBT polycarbonate

4.2 Electrical characteristics

Breakdown voltage ≥ 1000 V
Contact resistance ≥ 20 mΩ
Insulation resistance ≥ 500 MΩ at 100 V DC.
Tested and independently certified to comply with IEC 60512-99-001 and IEC 60512-99-002 for PoE support up to 90w (Type 4).

4.3 Mechanical characteristics

Max. number of connections and disconnections: 5 without refreshing the cable
Endurance: 2500 movements (plug insertion/withdrawal)
IK03

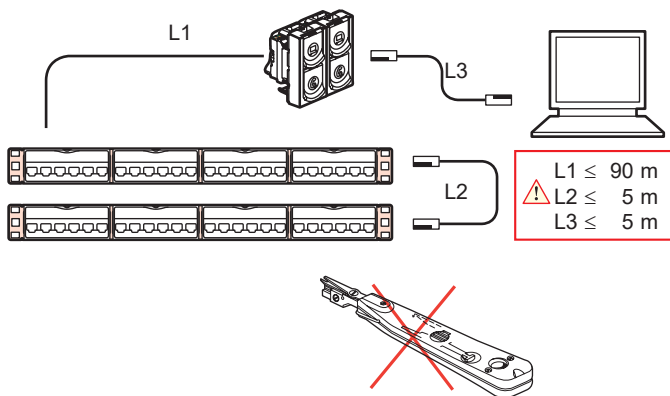
4.4 Climatic characteristics

Operating temperature: -10°C to +60°C
Humid heat cycle 21 days

Mosaic™ RJ 45 double sockets

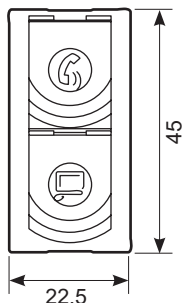
Catalogue number(s): 765 35/36/37/38/39

5. INSTALLATION

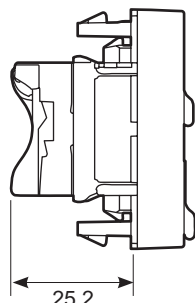


6. OVERALL DIMENSIONS

Front view:

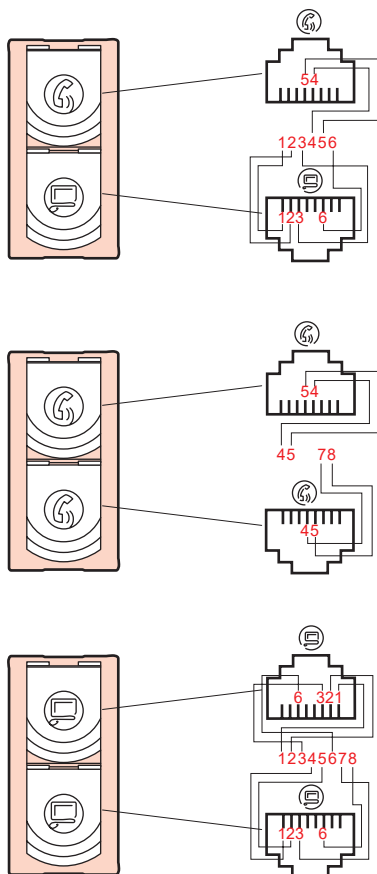


Side view:



7. CONNECTION

The following connections are to be respected according to the type of double socket:

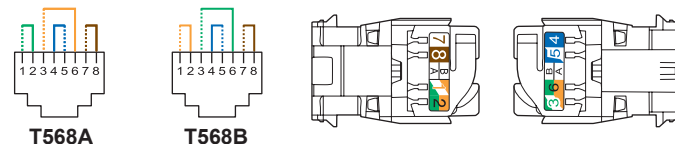


7. CONNECTION

Accepts the following cable connectors:
RJ11 (4 contacts), RJ12 (6 contacts), RJ45 (9 contacts).

Double colour code T568A and T568B on terminals:

- UTP 8 contacts
- FTP 9 contacts

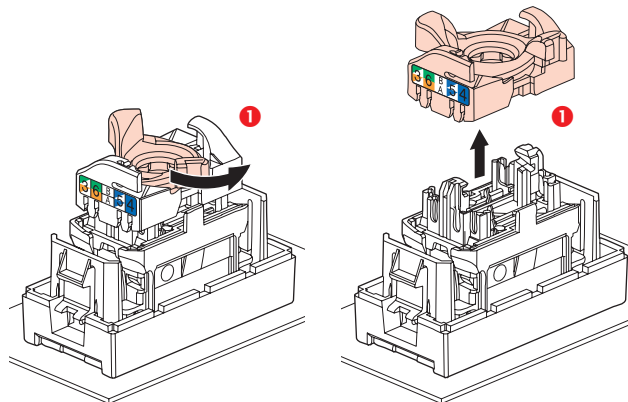


Conductors supported:

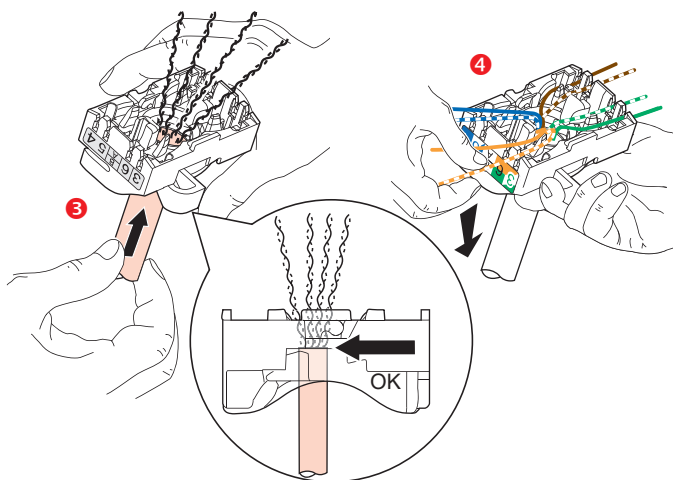
- Solid/stranded: 0.4 to 0.65 mm, AWG 26 to 22
- Polyethylene conductor insulation: Ø 0.85 to 1.7 mm on insulation

Number of wires to connect per connection: 1

The RJ45 connectors are equipped with a rotating locking system that does not require special tools and enables rewiring in the event of error.

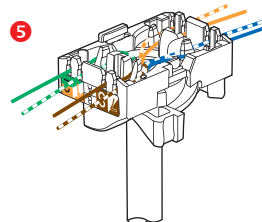


This system allows the wire pairs to be spread easily before attaching them to the connector.



Spreading the wires ensures that pairs are separated by the required 13 mm.

Spreading the pairs at 90° in relation to the cable ensures the best performance levels.



8. STANDARDS AND APPROVALS

ISO/IEC 11801 series : International standard for generic cabling for customer premises

ANSI/TIA 568 series : North American standard for generic cabling for customer premises

EN 50173 series : European standard for generic cabling for customer premises

IEC 60603-7 series : International standard for connector specifications

Connectors are compliant to requirements for the following remote powering applications

IEEE 802.3af , IEEE 802.3at , IEEE 802.3bt : "Power over Ethernet", Types 1 to 4, up to 90W.