

1. GENERAL CHARACTERISTICS

RJ plugs for RJ 11/12/45 sockets, 2 crimping zones, sleeve and conductor.
 RJ 45 : modular jack 8P8C (8 positions and 8 electrical contacts) commonly used for Ethernet connections, and for telephone connectors.

2. TECHNICAL CHARACTERISTICS

- Transparent polycarbonate body
- Fire resistance UL 94 V2
- 0,5 µinch gold-plated contact

For RJ45 and shielded RJ45 only :

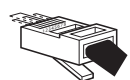
- Cabling standard : TIA 568A and 568B
- Compatible remote powering "PoE" up to 100w. (IEEE 802.3af, IEEE 802.3at, IEEE 802.3bt)

Name	Cat. No.	Maximum cable Ø	Maximum insulation Ø	AWG*	Contacts
RJ 11	0 517 01	3,5 mm	1 mm	24 - 26	4
RJ 12	0 517 02	4,9 mm	1 mm	24 - 26	6
RJ 45 C5E	0 517 03	6,5 mm	1 mm	24 - 26	8
Sh. RJ 45 C5E	0 517 04	6,5 mm	1 mm	24 - 26	9
RJ 45 C6	0 517 10	6,5 mm	1 mm	23 - 26	8
Sh. RJ 45 C6	0 517 11	6,5 mm	1.05 mm	23 - 26	9

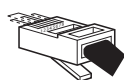
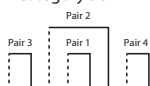
* compatibility tested with the Legrand cable offer

3. USUAL CONNECTIONS

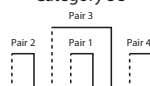
RJ 45



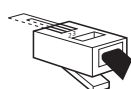
4-pairs TIA 568 A
Category 5e



4-pairs TIA 568 B
Category 5e

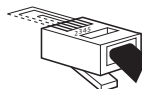


RJ 11



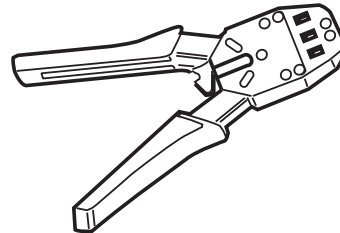
2-pairs
Category 3 and 5e

RJ 12



3-pairs
Category 3 and 5e

Connection with RJ crimping tool Cat. No. 0 517 09



NB: Inserting an uncrimped plug in an RJ socket risks damaging both the plug and socket contacts.

NB: When making a Category 5E or 6 connection, the minimum pair-twisting distance should be kept between conductors.

4. TECHNICAL FEATURES

4.1 MECHANICAL SPECIFICATIONS

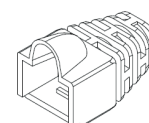
- Operating temperature : -40°C to 80°C
- Mating cycles : 750 cycles min.
- Protection level : IP20

4.2 ELECTRICAL SPECIFICATIONS

- Voltage : 125 VAC
- Current : 1.5 A
- Contact resistance : 30 milliohms maxi
- Insulation resistance : 500 megaohms mini
- Dielectric withstanding voltage : 1000 VAC

5. ACCESSORIES

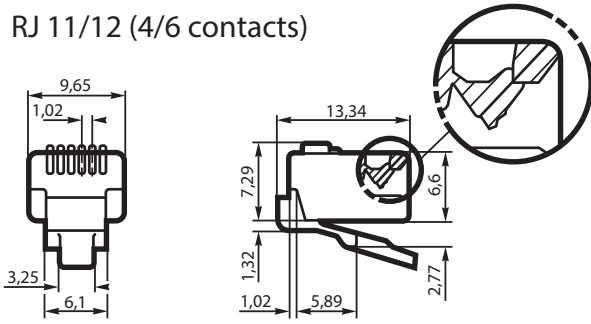
RJ45 plug can be covered with a protective sleeve Cat. No. 0 517 06 (White)/0 517 07 (Black)



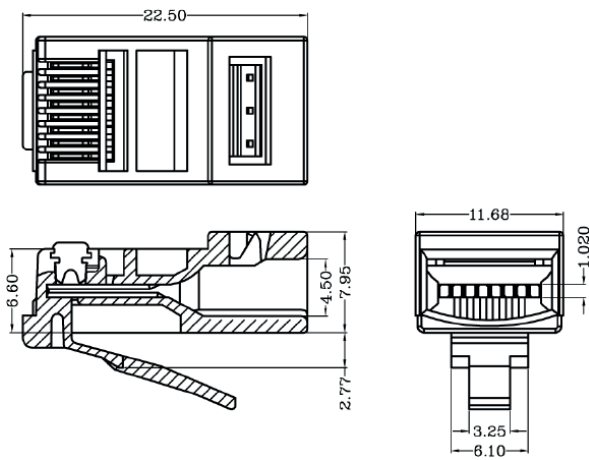
- Material : PVC

6. DIMENSIONS

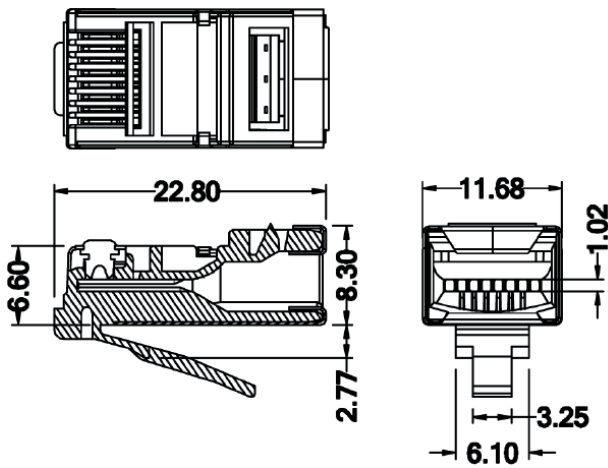
RJ 11/12 (4/6 contacts)



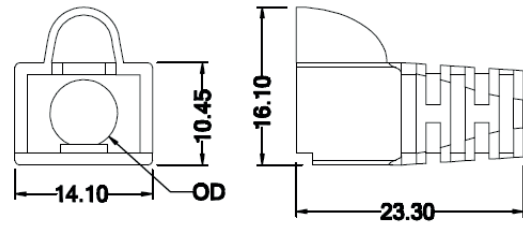
RJ 45 Cat 5E and Cat 6



Shielded RJ 45 Cat 5E and Cat6



0 517 06/07



7. CABLING

