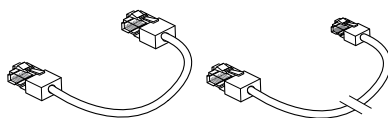
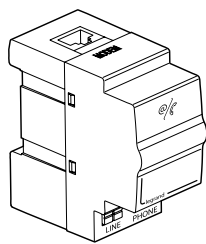
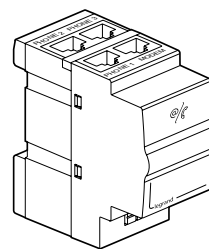


xDSL filter xDSL filter/Splitters, 3 outputs

Catalogue number(s): 413011/413015



413011



413015

1. INTRODUCTION

ADSL filter for simultaneous access to telephone and ADSL internet without using filters on the wall sockets.

413011

- 1 modem output for ADSL/Box link
- 1 analogue telephone output (connects to a telecommunications outlet via an RJ45 cord)
- 1 incoming telephone line input

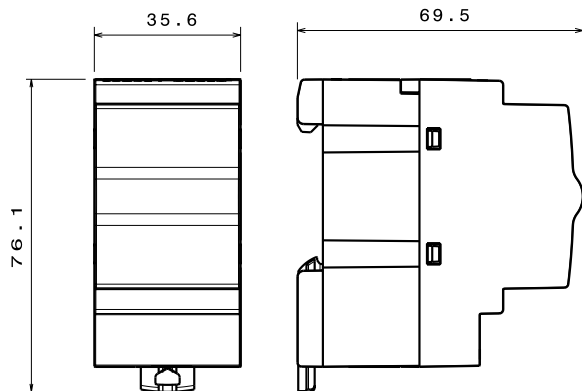
413015

- 1 modem output for ADSL filter/Box link
- 3 analogue telephone outputs (connect to 3 telecommunications outlets via 3 RJ45 cords)
- 1 incoming telephone line input

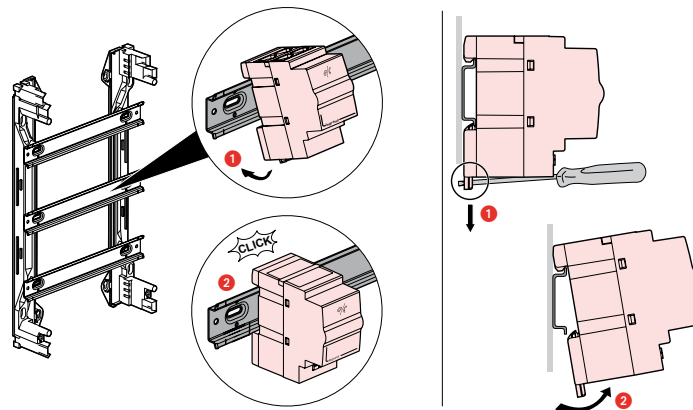
2. SELECTION CHART

Description	Cat. No.	No. of modules	Telephone output	Modem output	Weight (g)
xDSL filter	413011	2	1	1	74
xDSL filter/Splitters, 3 outputs	413015	2	3	1	77

3. OVERALL DIMENSIONS



4. SETUP AND CONNECTION



5. TECHNICAL FEATURES

5.1 General features

Plastic casing: PC RAL 7035
IP20 - IK04
Tensile resistance on DIN rail: 100 N

5.2 Climatic features

Operating temperature: + 5°C to + 40°C
Storage temperature: - 25°C to + 70°C

xDSL filter

xDSL filter/Splitters, 3 outputs

Catalogue number(s): 413011/413015

5.3 Electrical features

Specifications of the filter	Electrical specifications	
	Range	Values
Bandwidth		DC at 16 kHz
Nominal voice band		0.3 kHz to 3.4 kHz
Audible signal frequency		15.3 Hz to 68 Hz
xDSL band		32 kHz to 30 MHz
Line impedance	200 Hz to 3.4 kHz	270 ohm+750 ohm/150 nF
Modem impedance	32 kHz to 30 MHz	100 ohms
Voltage features of the voice band		
Nominal signal		21m Vpp to 5.4 Vpp
Audible signal		40 Vrms to 150 Vrms
DC input voltage		0 V to 105 V
Maximum AC input voltage		150 Vms
Current features of the voice band		
Loop current		< 80 mA
DC resistance	2 input wires	< 50 ohms
Insulation resistance	Between the 2 input wires	> 5 Mohms
Voice band features		
Insertion loss	1000 Hz	< 1.0 dB
Resistive insertion loss distortion at 1 kHz	200 to 3.4 kHz	< 1.0 dB
Return Loss	300 Hz to 500 Hz	> 14 dB
	500 Hz to 2000 Hz	> 18 dB
	2000 Hz to 3400 Hz	> 14 dB
Longitudinal conversion loss (LCL)	50 Hz to 600 Hz	> 40 dB
	600 Hz to 3.4 kHz	> 46 dB
	3.4 kHz to 4.0 kHz	> 40 dB
	4 kHz to 30 kHz	> 40 dB
	30 kHz to 2208 kHz	> 45 dB
	2208 kHz to 30 MHz	> 40 dB
Propagation delay skew	300 Hz to 500 Hz	< 250 uS
	300 Hz to 500 Hz	< 200 uS
xDSL band		
Attenuation on the xDSL band	32 KHz to 138 kHz	> 45 dB
	138 kHz to 30 MHz	> 55 dB

6. COMPLIANCE AND APPROVALS

Conforming to standards: EN 50090-2-2