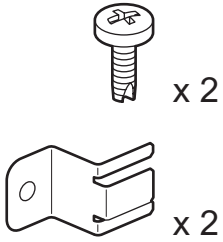
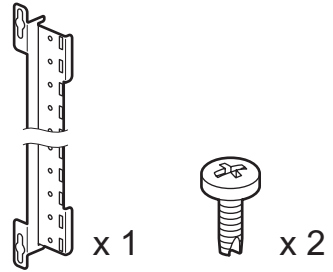


477 18

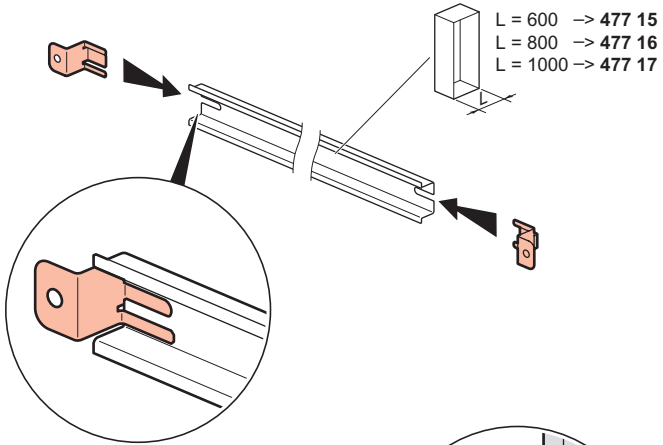


477 19/20/21

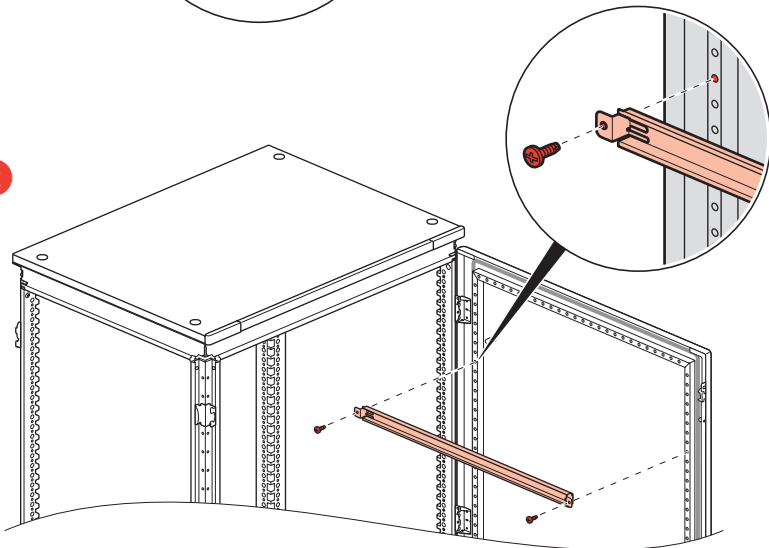


477 18

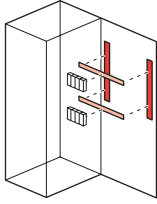
1



2



(A) + (B)



(B) + (A)

