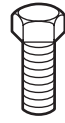


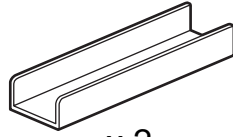
x 14



x 14



x 28



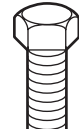
x 2



x 8



Ø 15
x 4

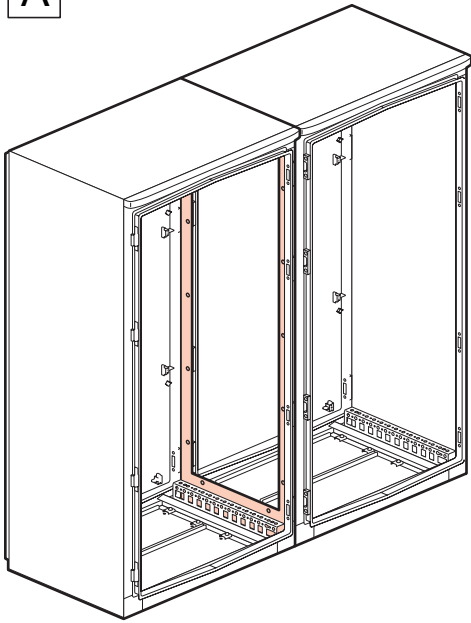


M14
x 4

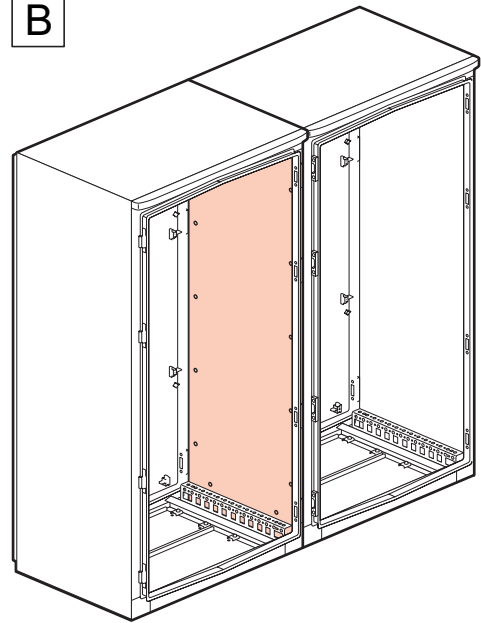


M14
x 4

A

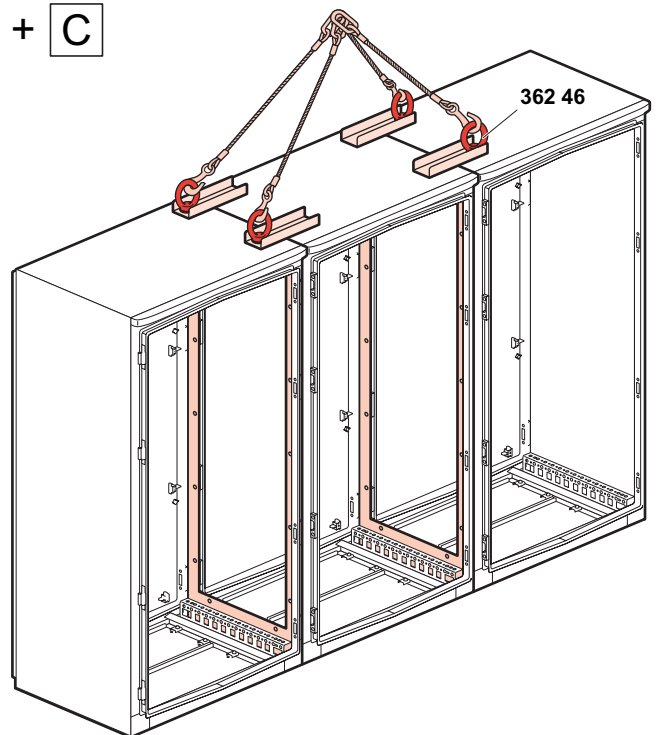
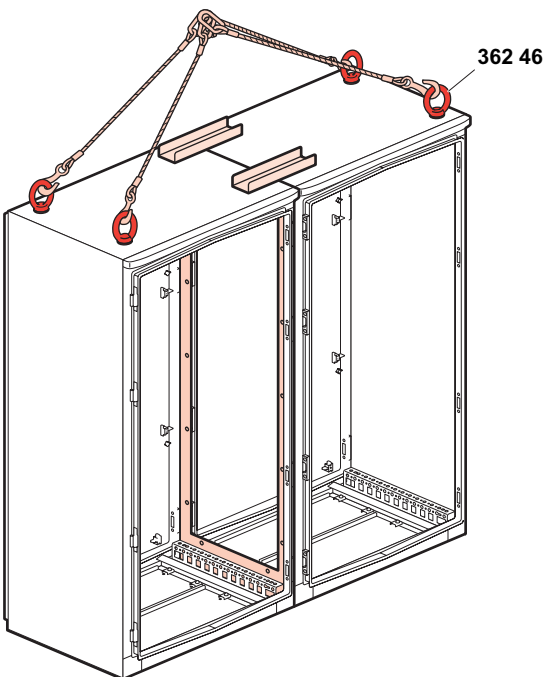


B

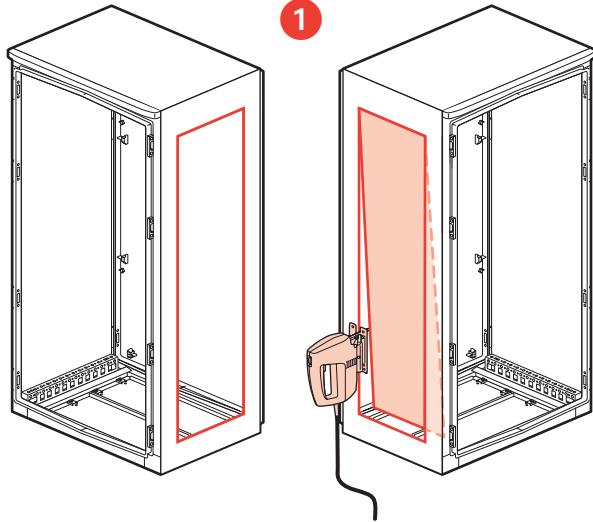


A + C

B + C

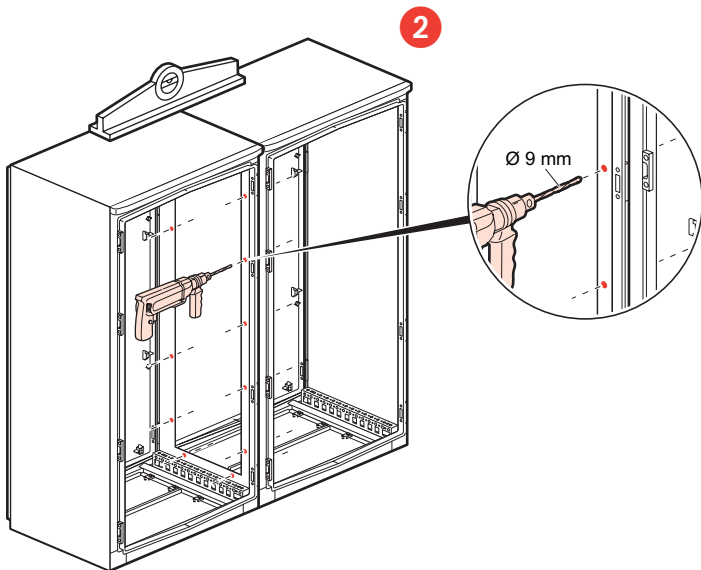
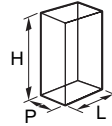


A

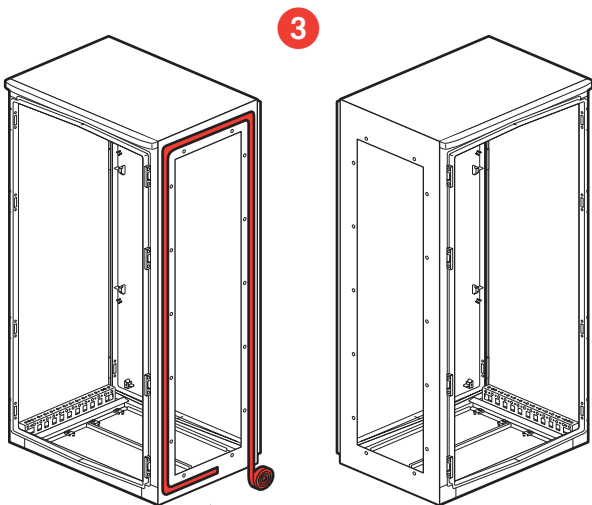
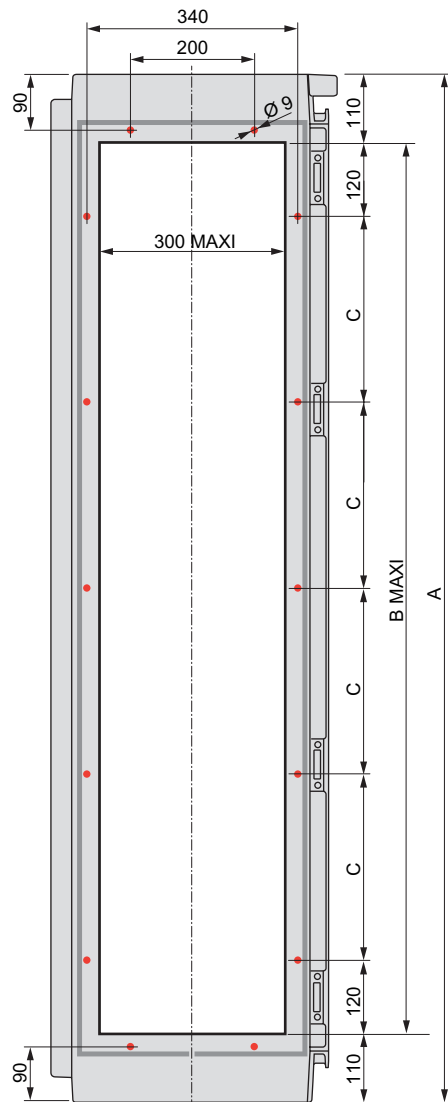


1

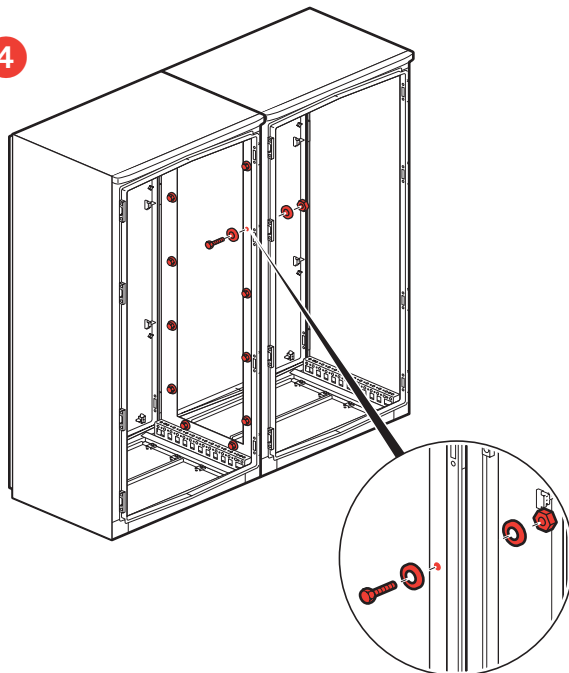
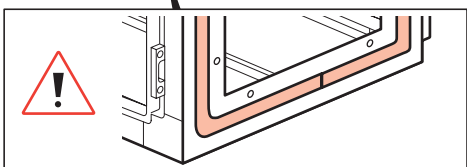
H x L x P (mm)	A	B	C
1400 x 800 x 400	1460	1240	250
1600 x 800 x 400	1660	1440	300
1800 x 800 x 400	1860	1640	350



2

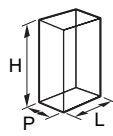


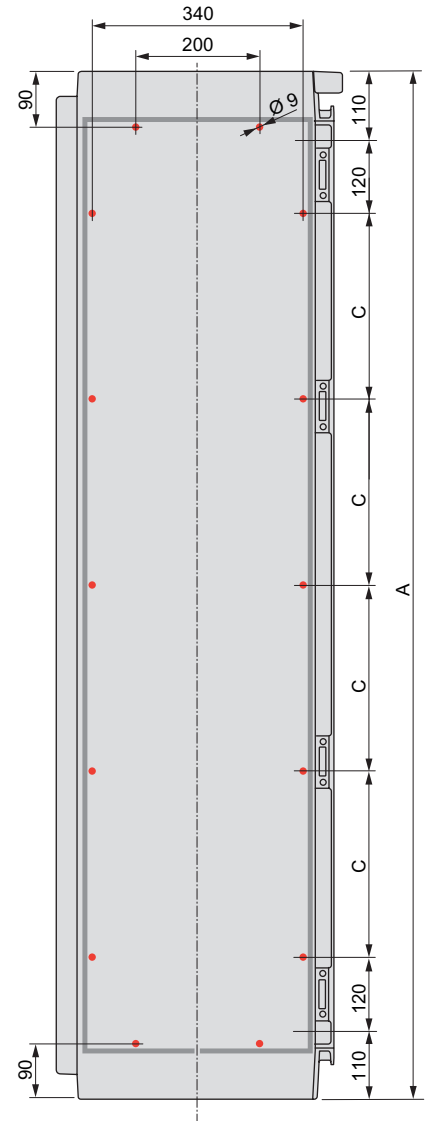
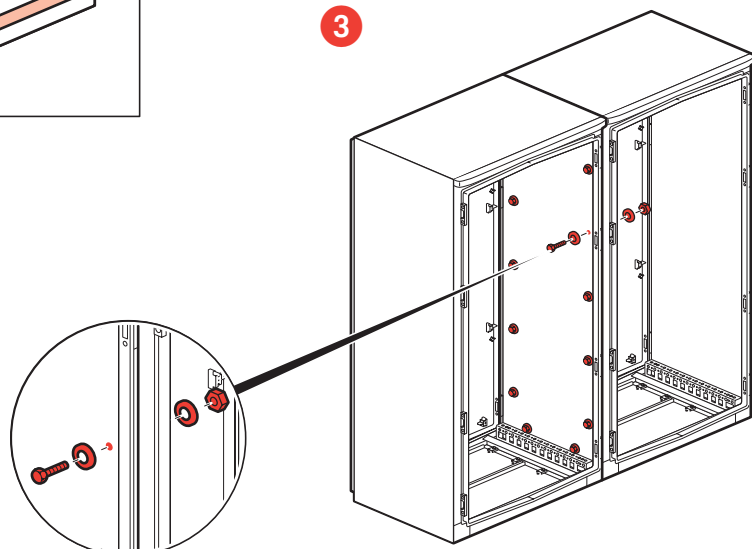
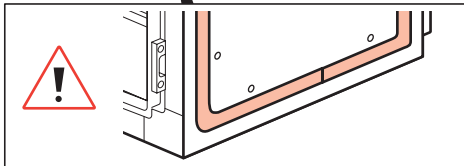
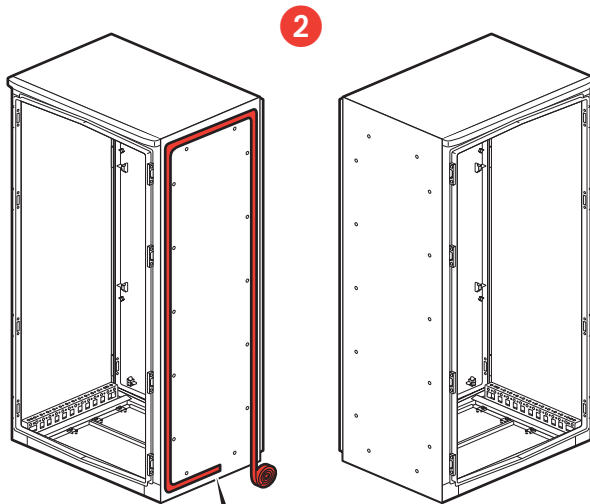
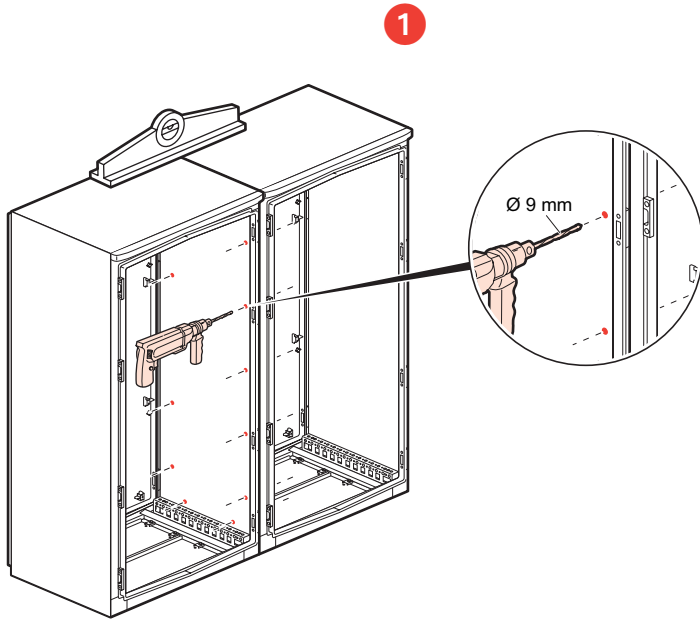
3



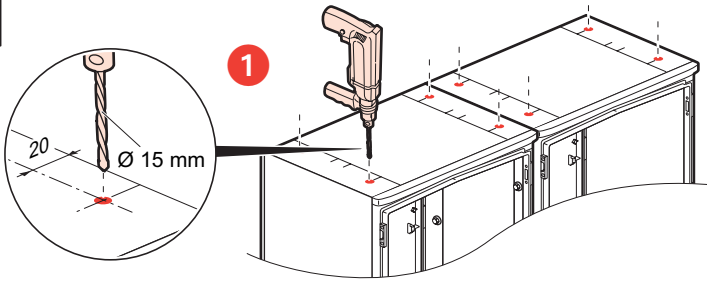
4

B

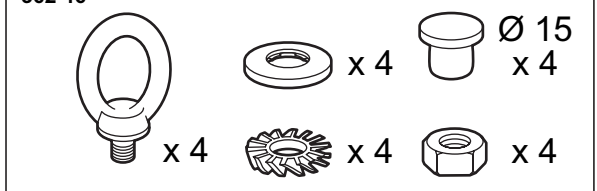
	H x L x P (mm)	A	C
	1400 x 800 x 400	1460	250
1600 x 800 x 400	1660	300	
1800 x 800 x 400	1860	350	



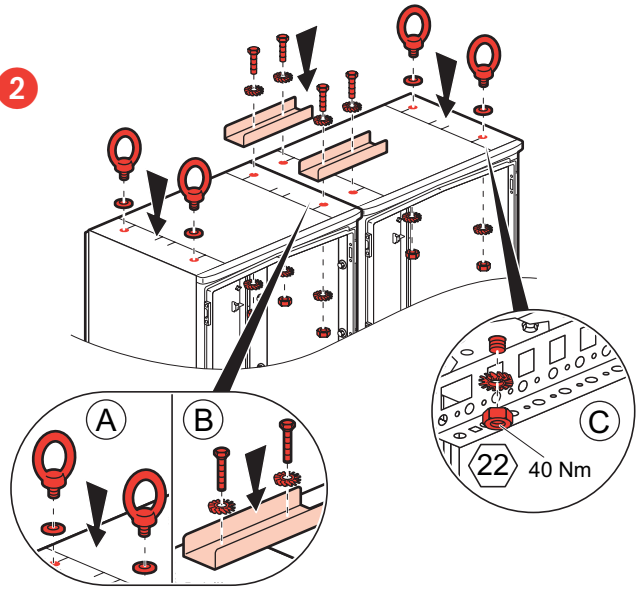
C



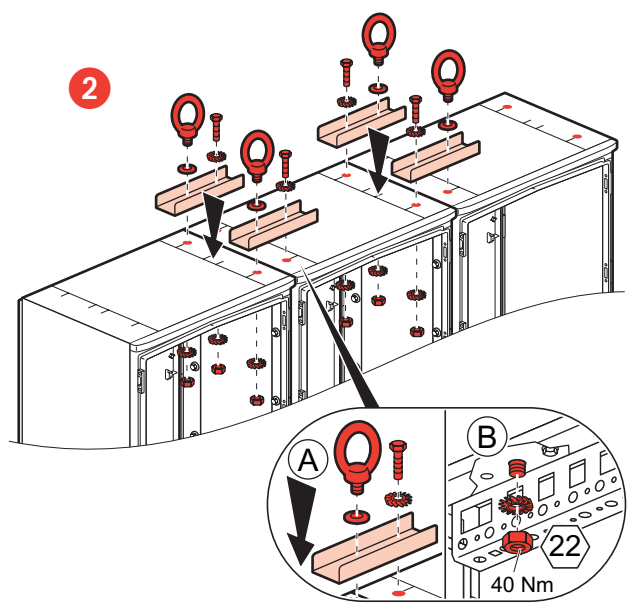
362 46



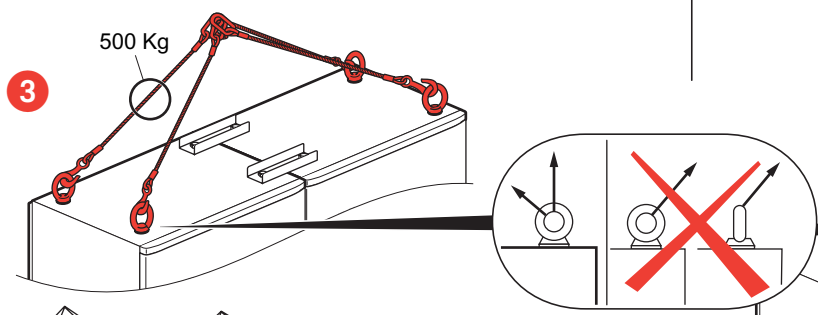
2



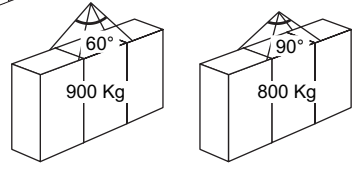
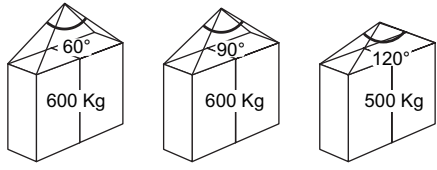
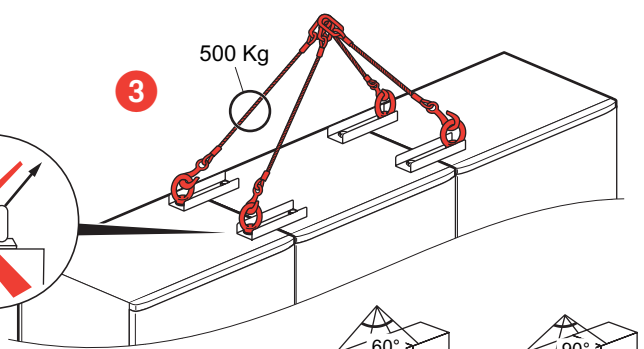
2



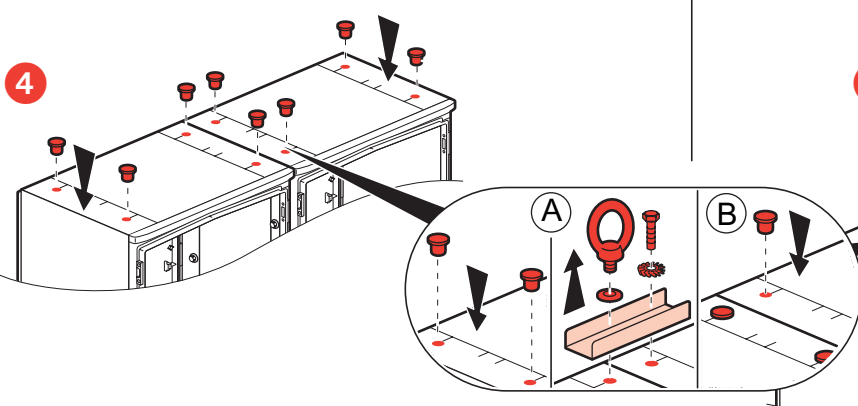
3



3



4



4

