

0 208 87/88/89

X 2

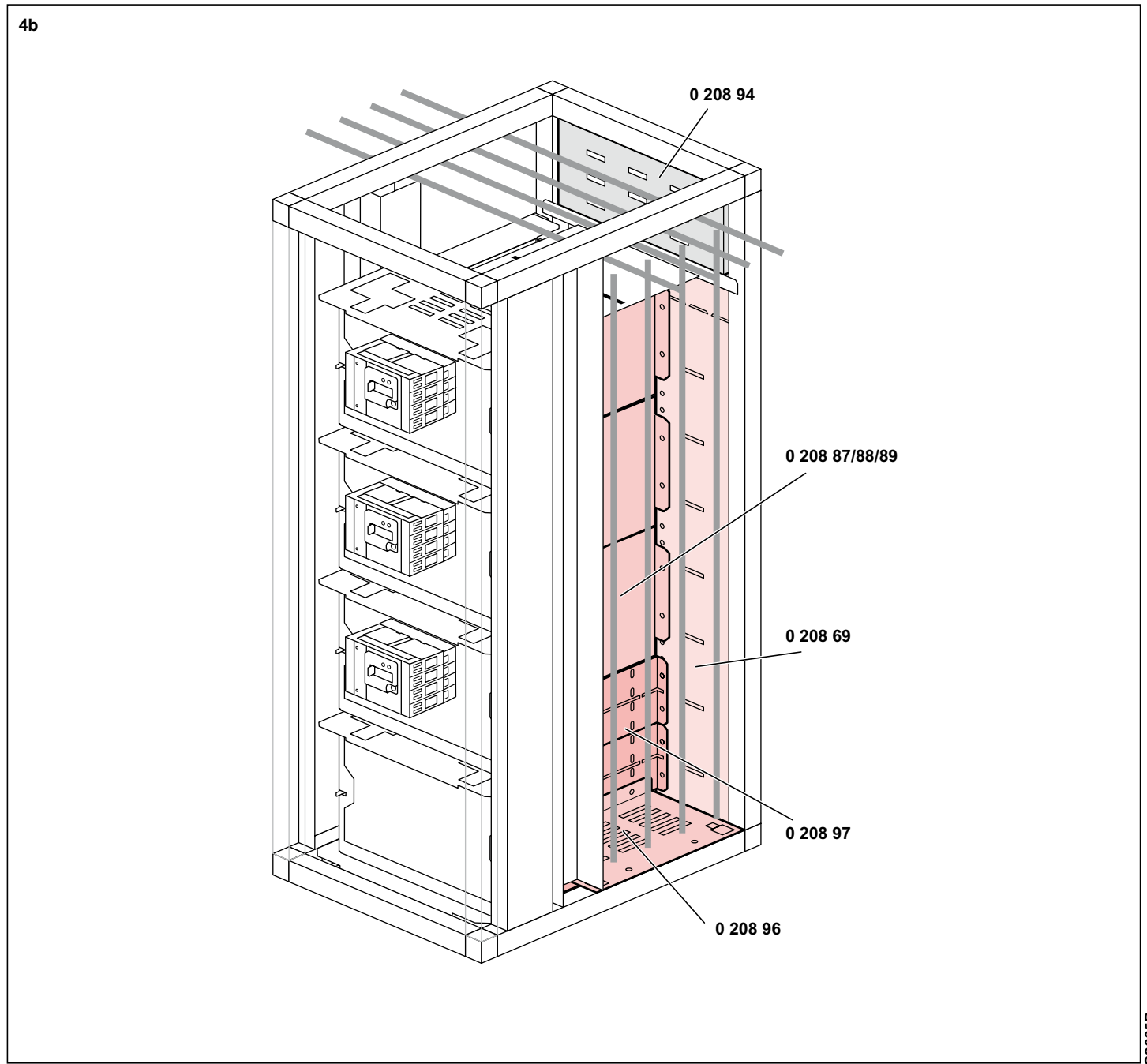
0 208 87/88	X 1	X 1	X 1	X 2	X 9	X 26
0 208 89	X 2	X 2	X 2	X 4	X 18	X 34

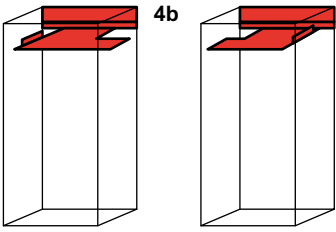
0 208 96

0 208 97

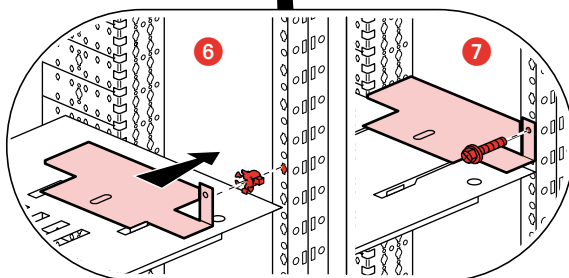
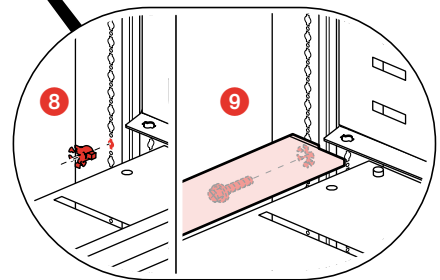
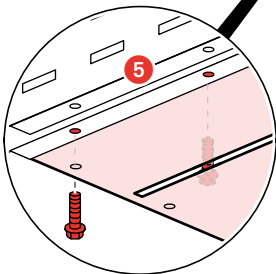
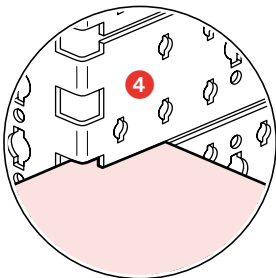
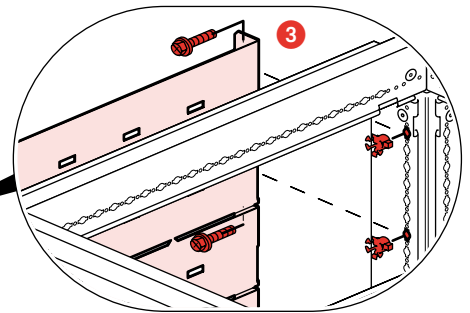
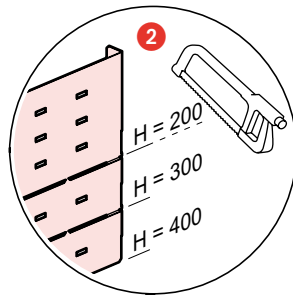
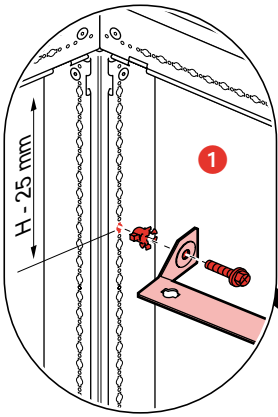
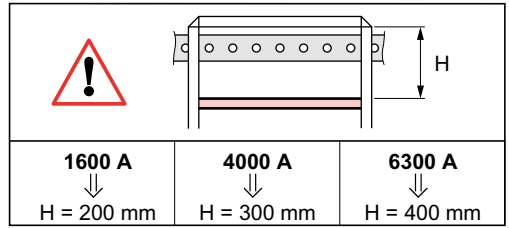
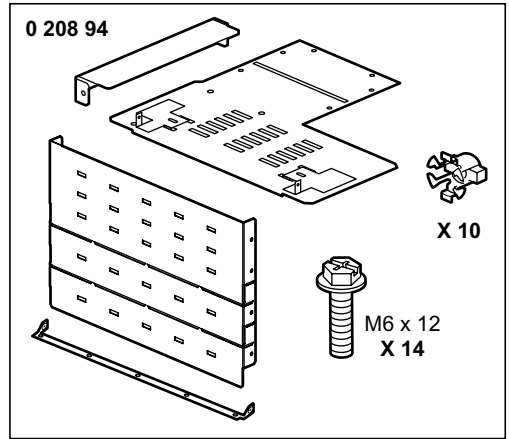
0 208 69

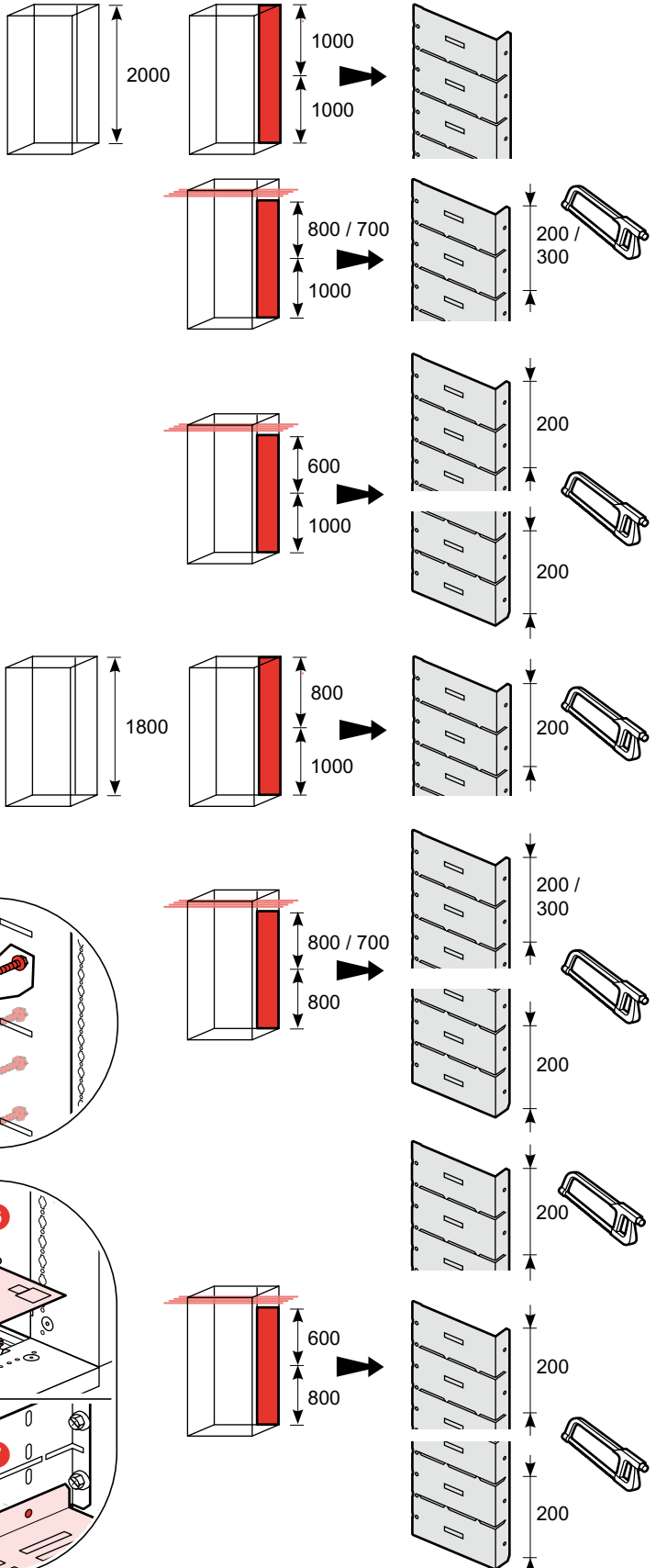
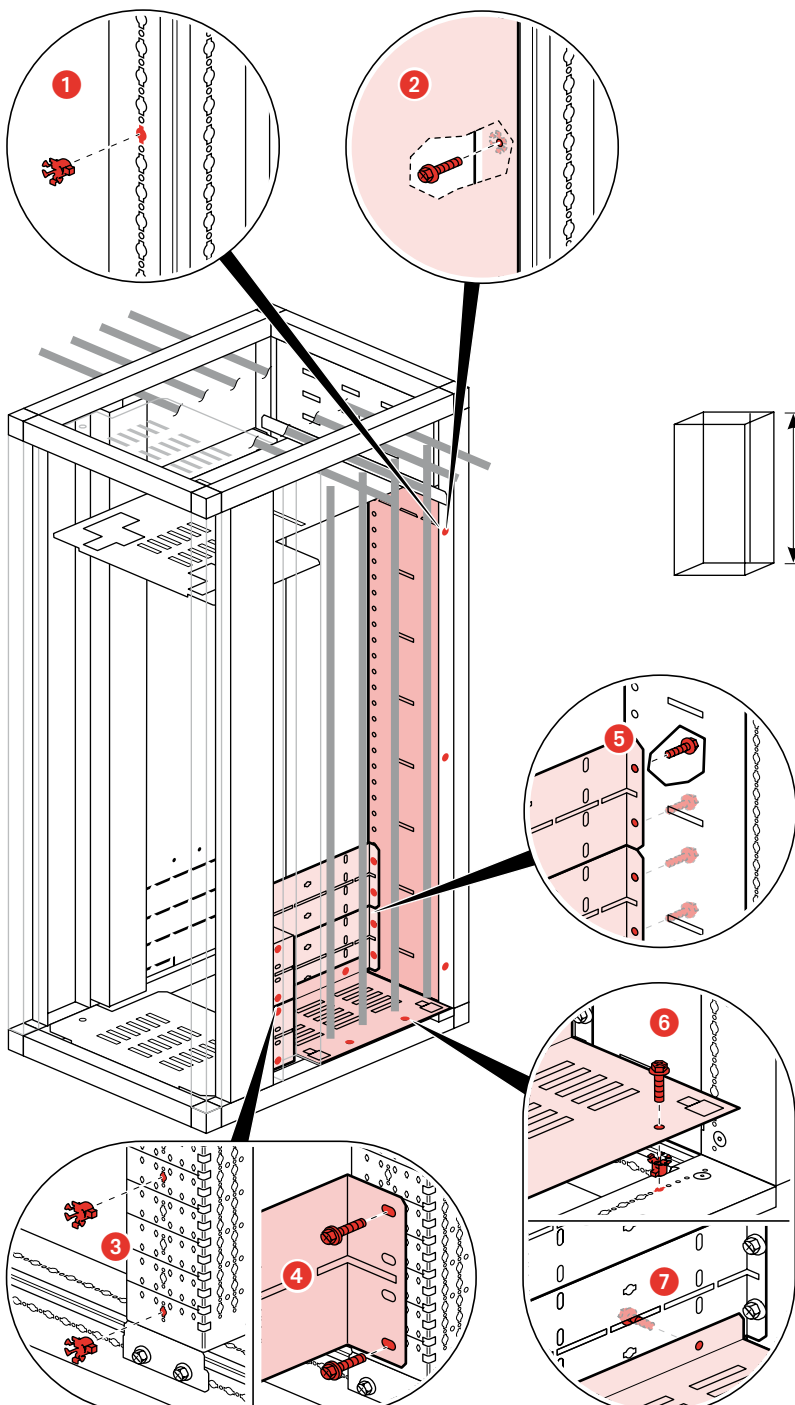
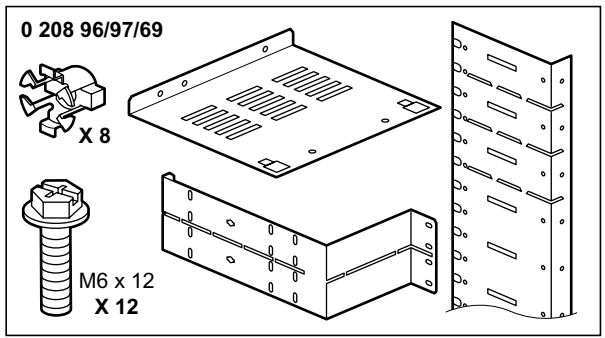
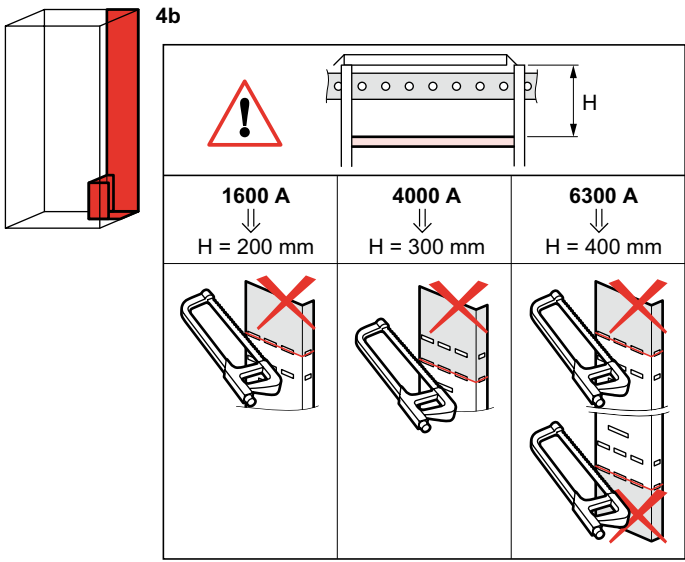
M6 x 12

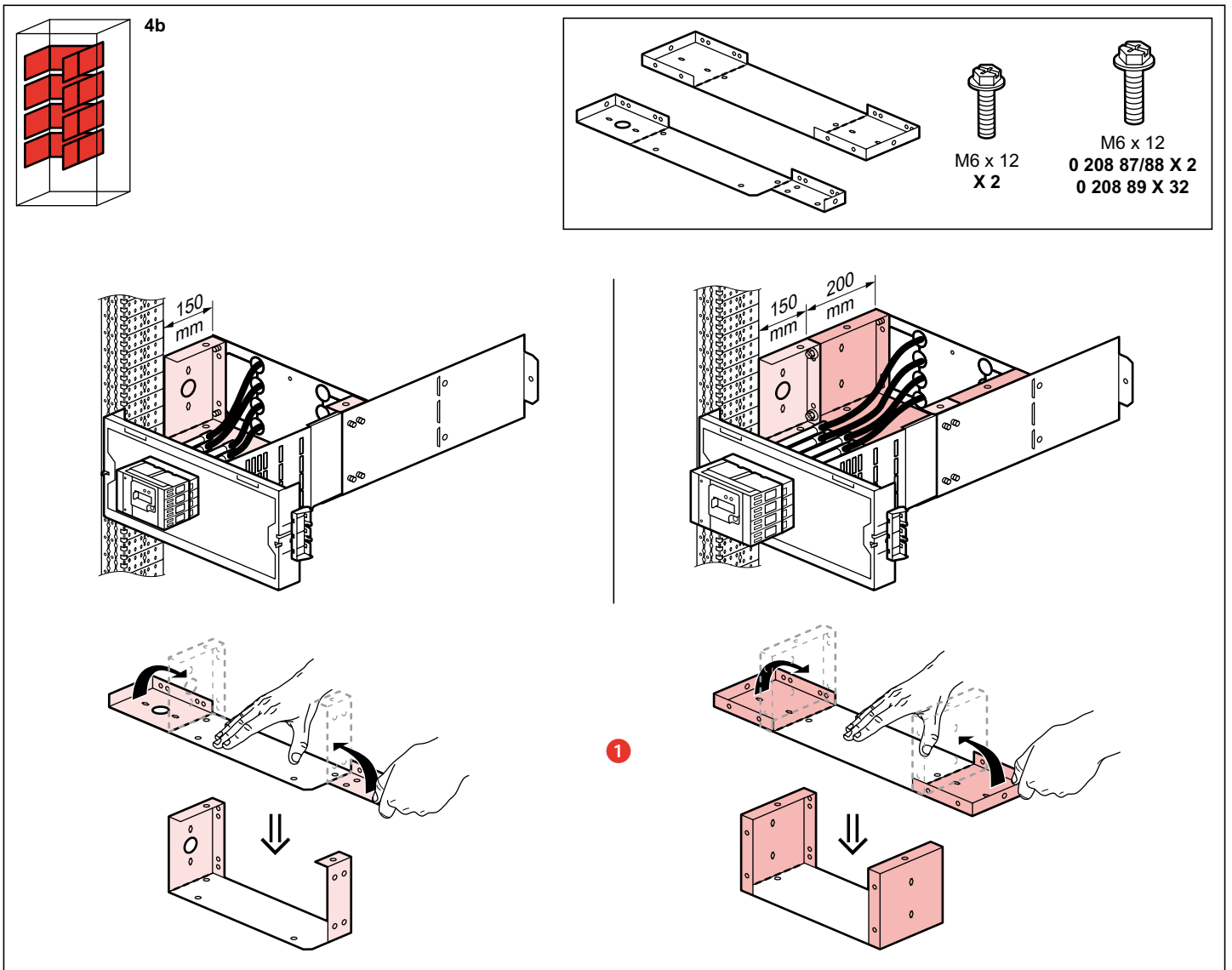
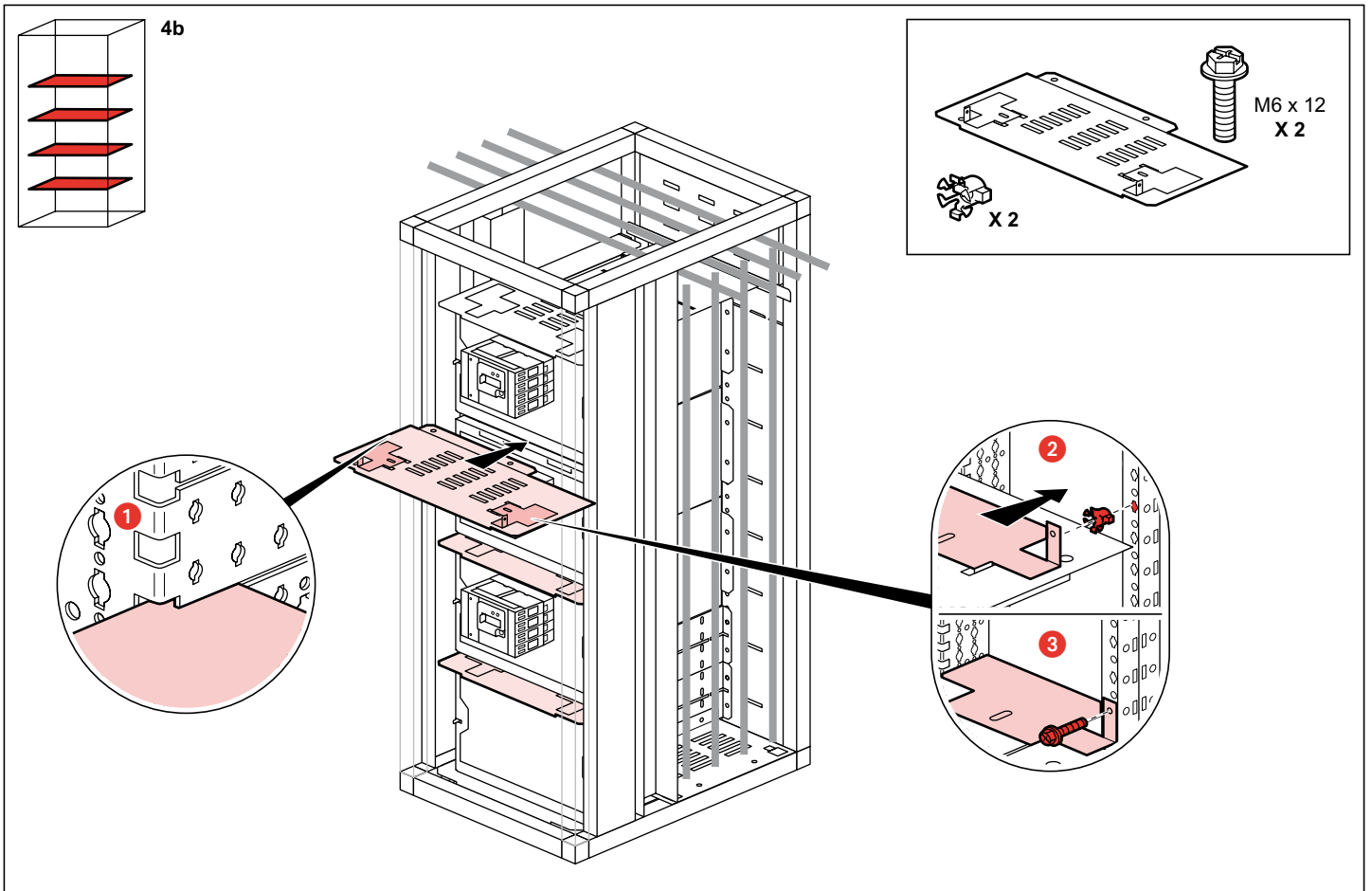


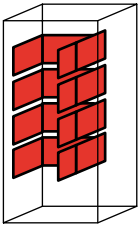


4b





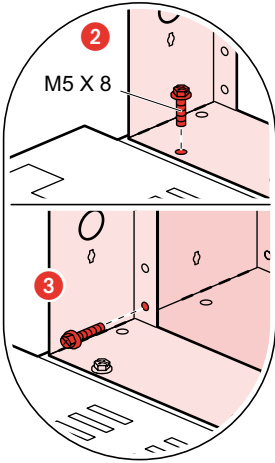
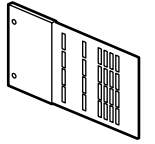
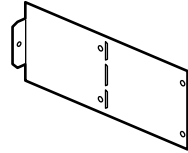
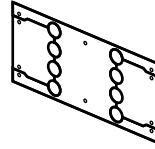




4b



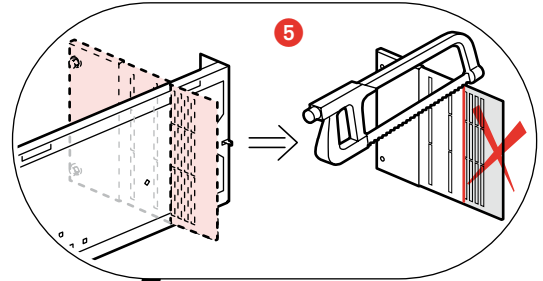
0 208 87/88 X 9
0 208 89 X 18



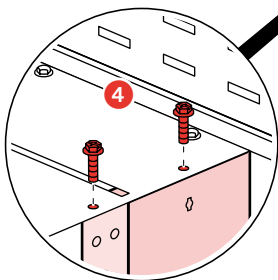
2

M5 X 8

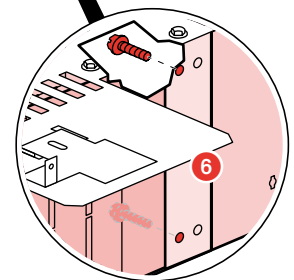
3



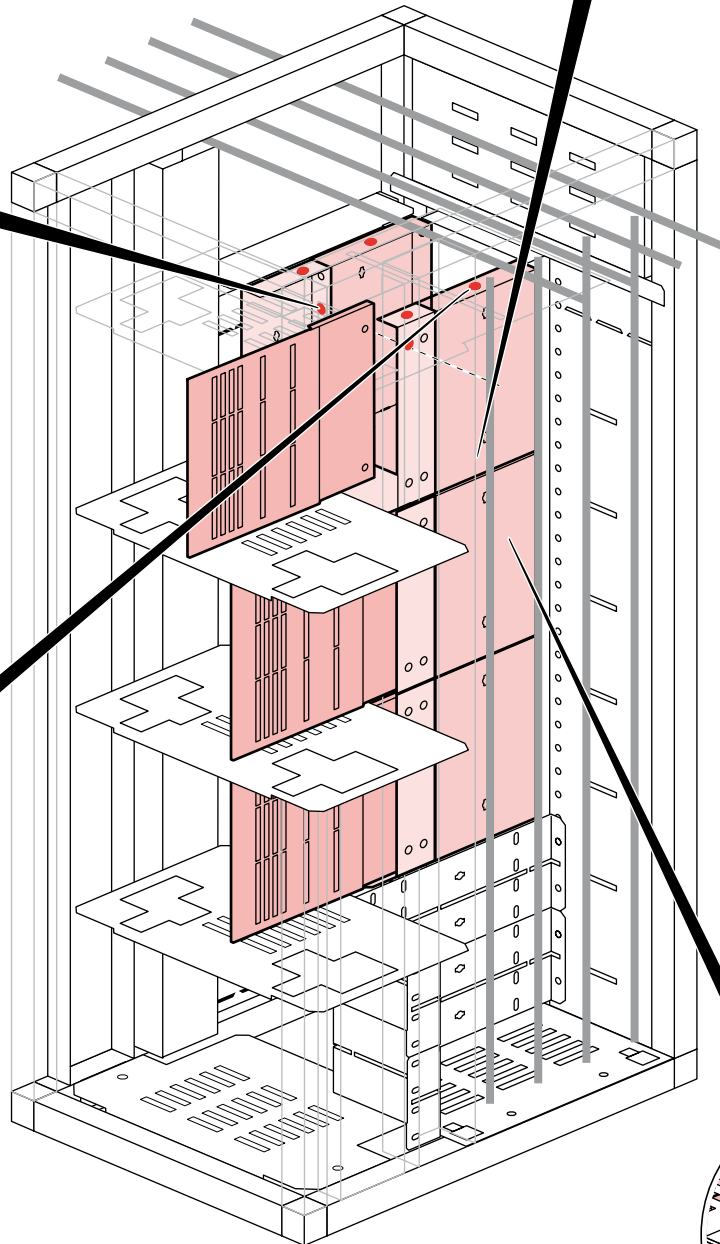
5

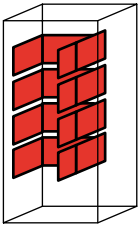


4



6





4b

