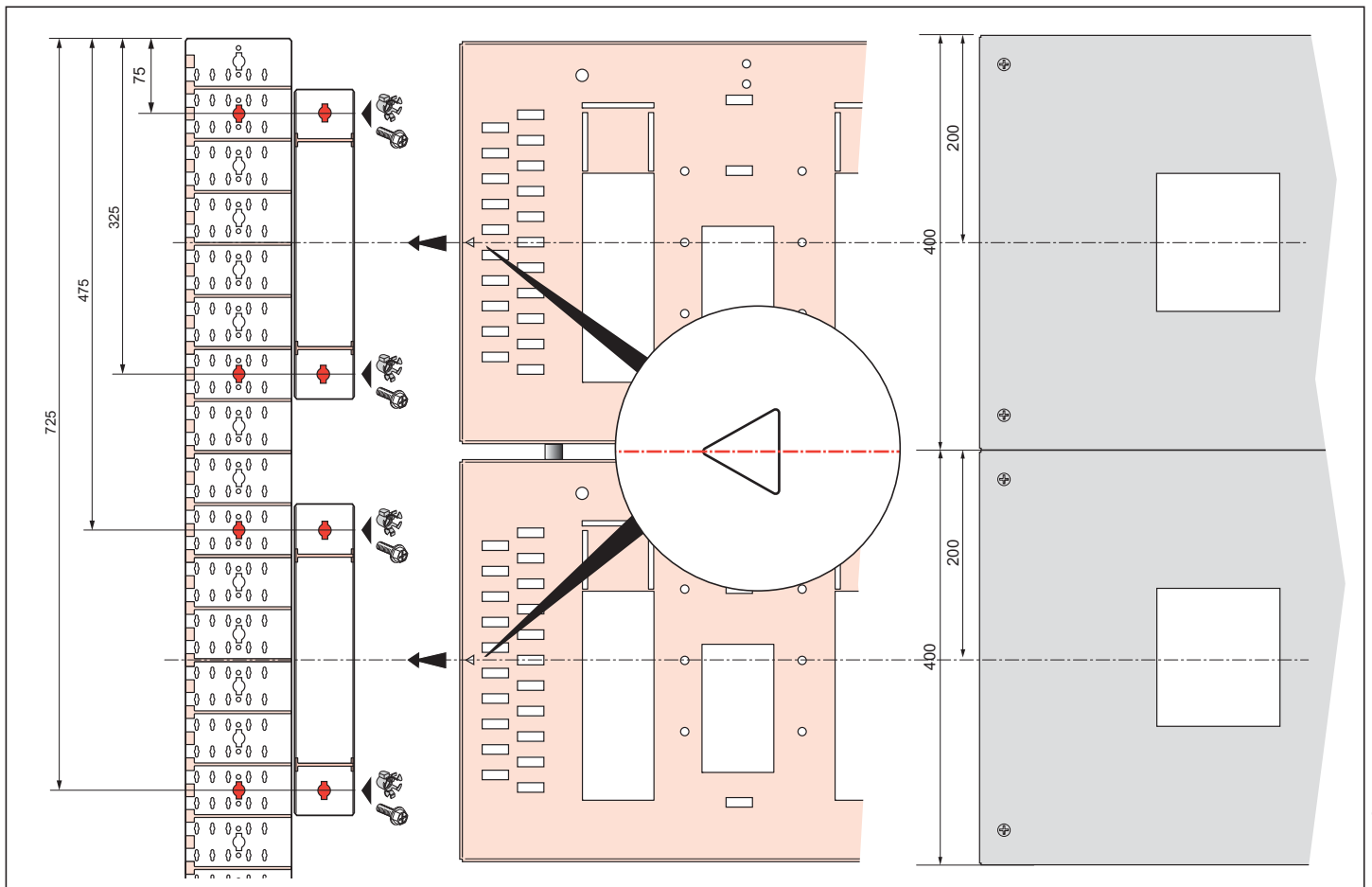
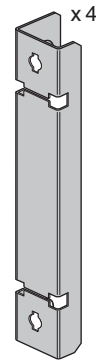
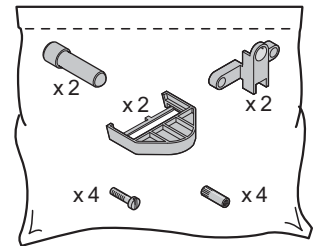
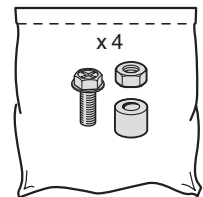
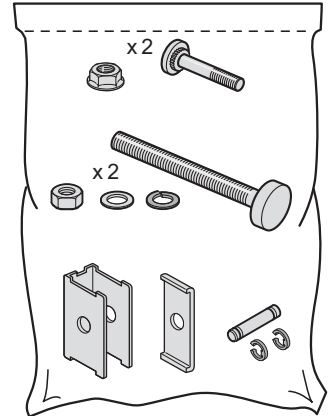
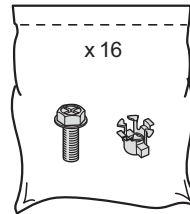
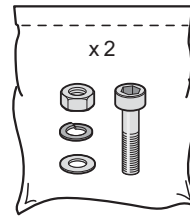
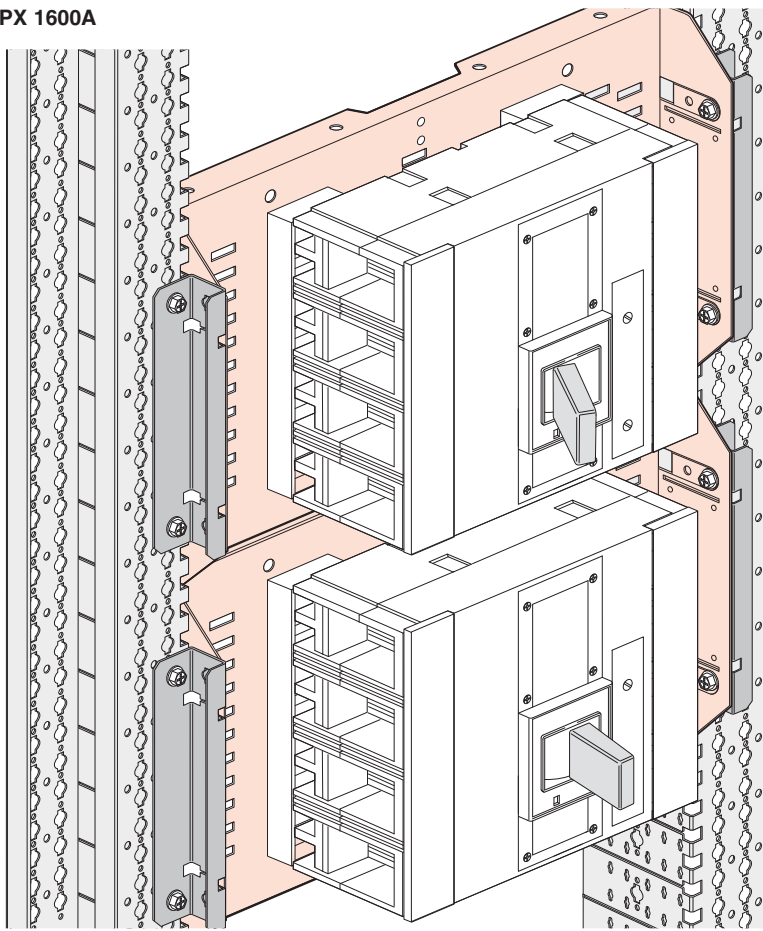
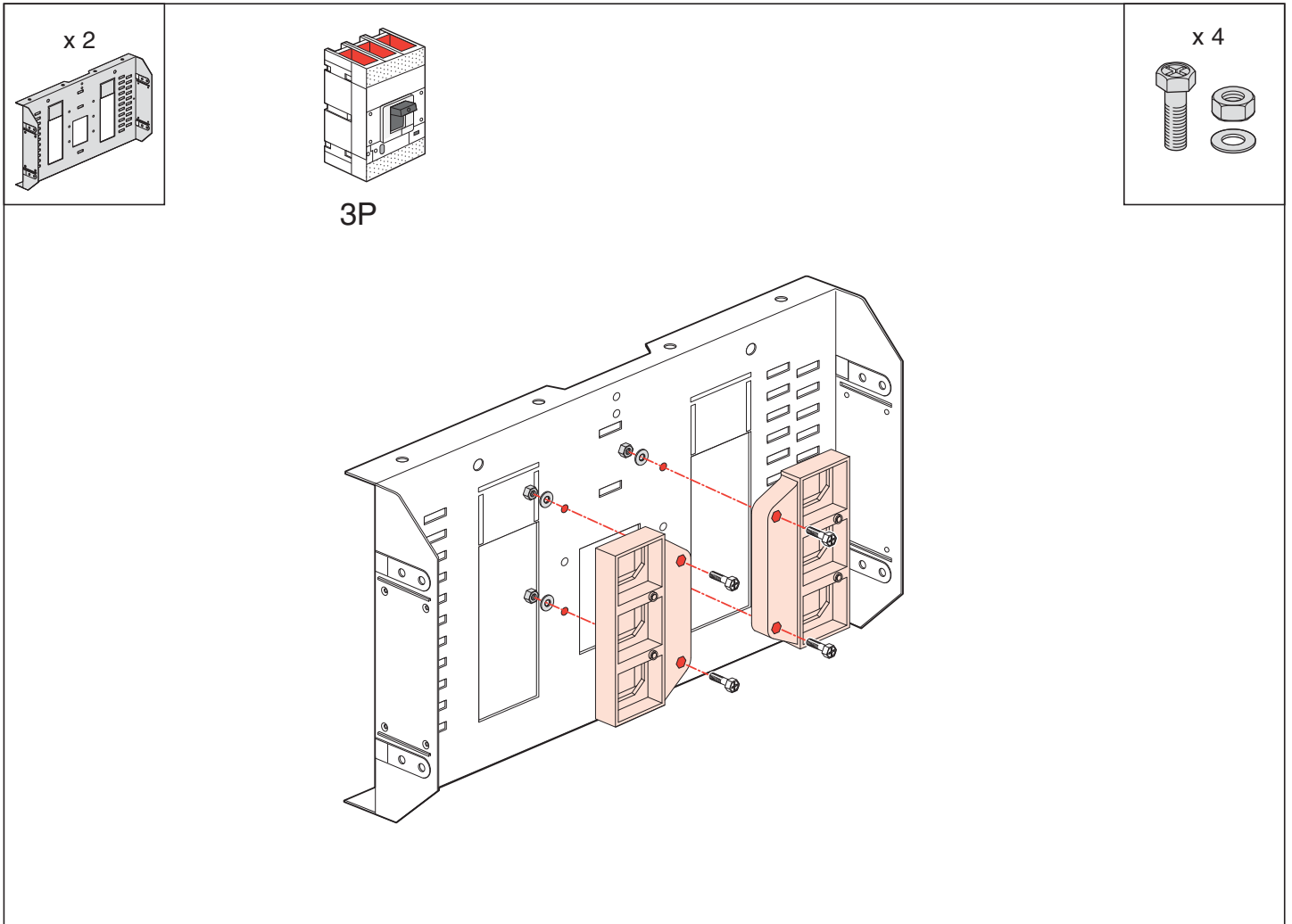
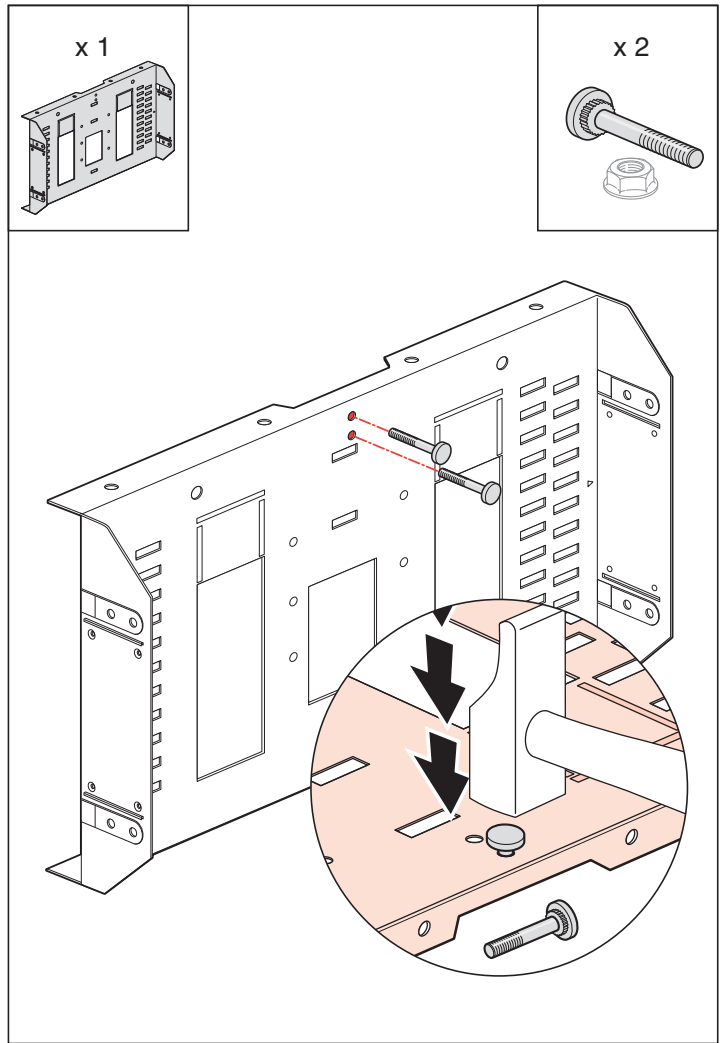
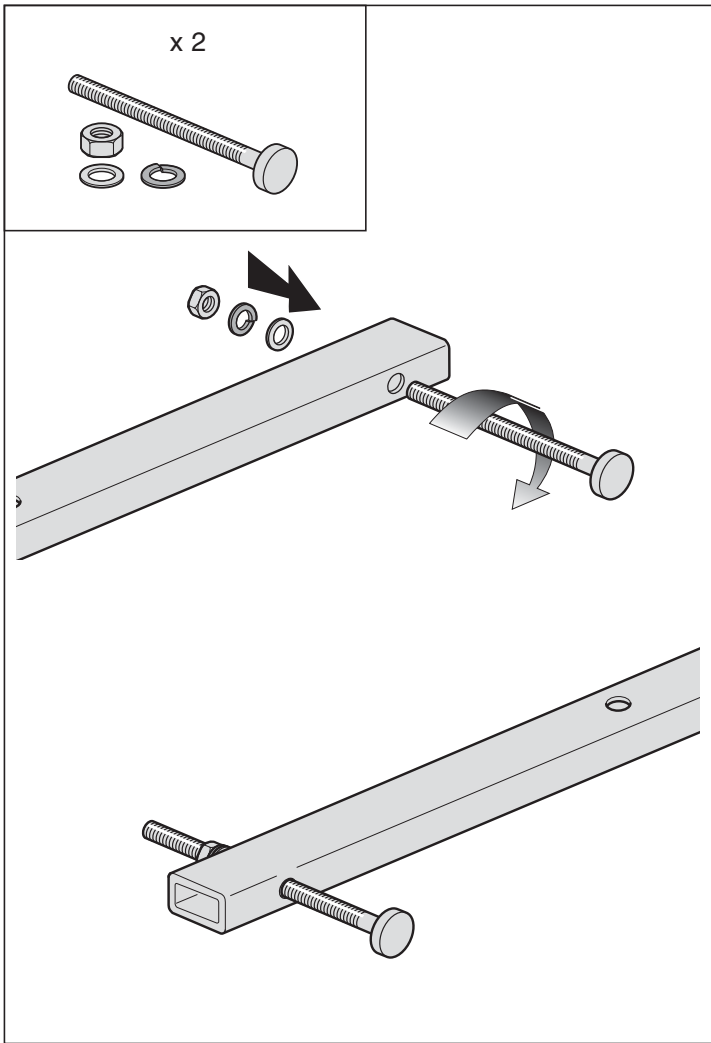
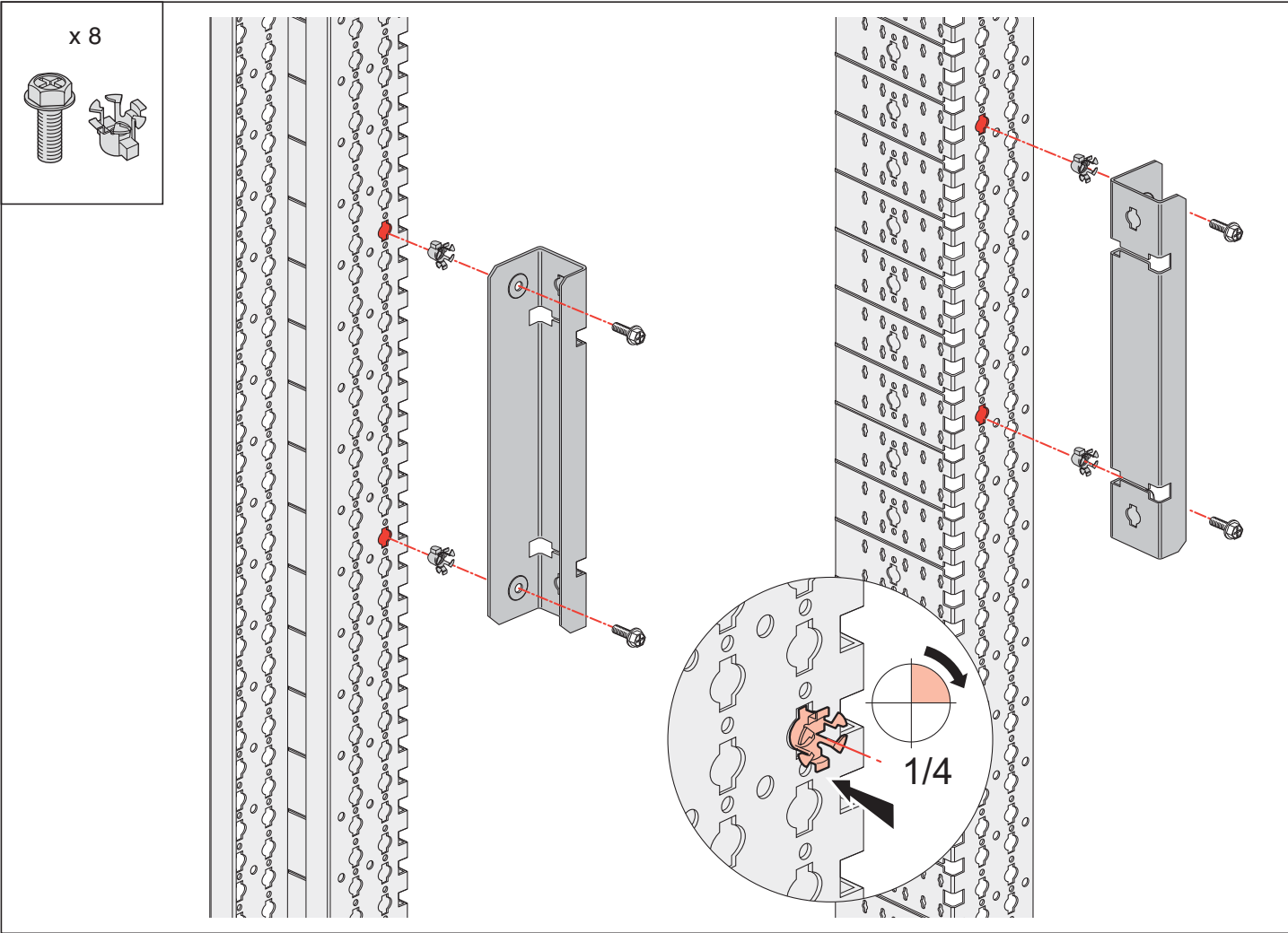
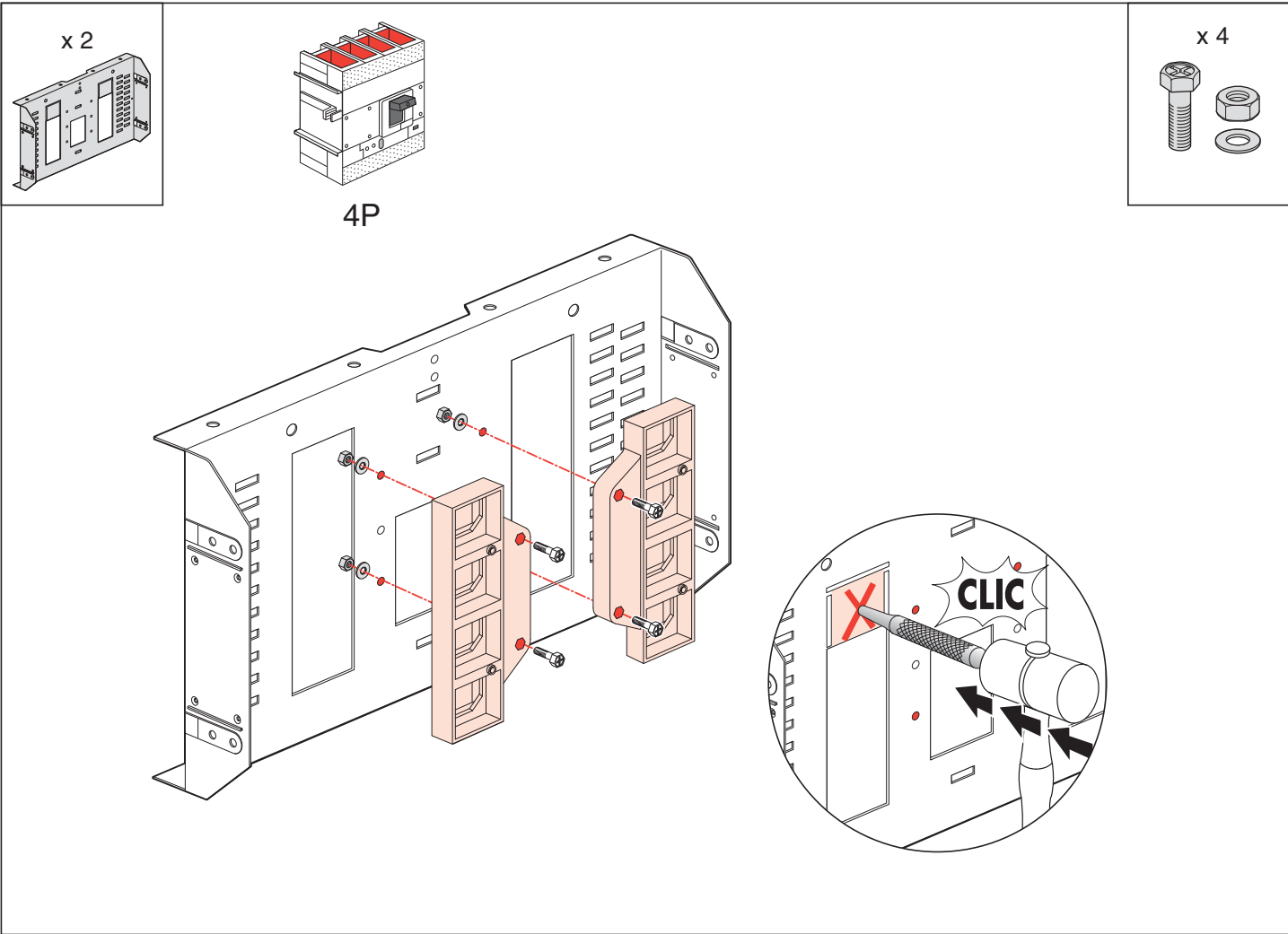
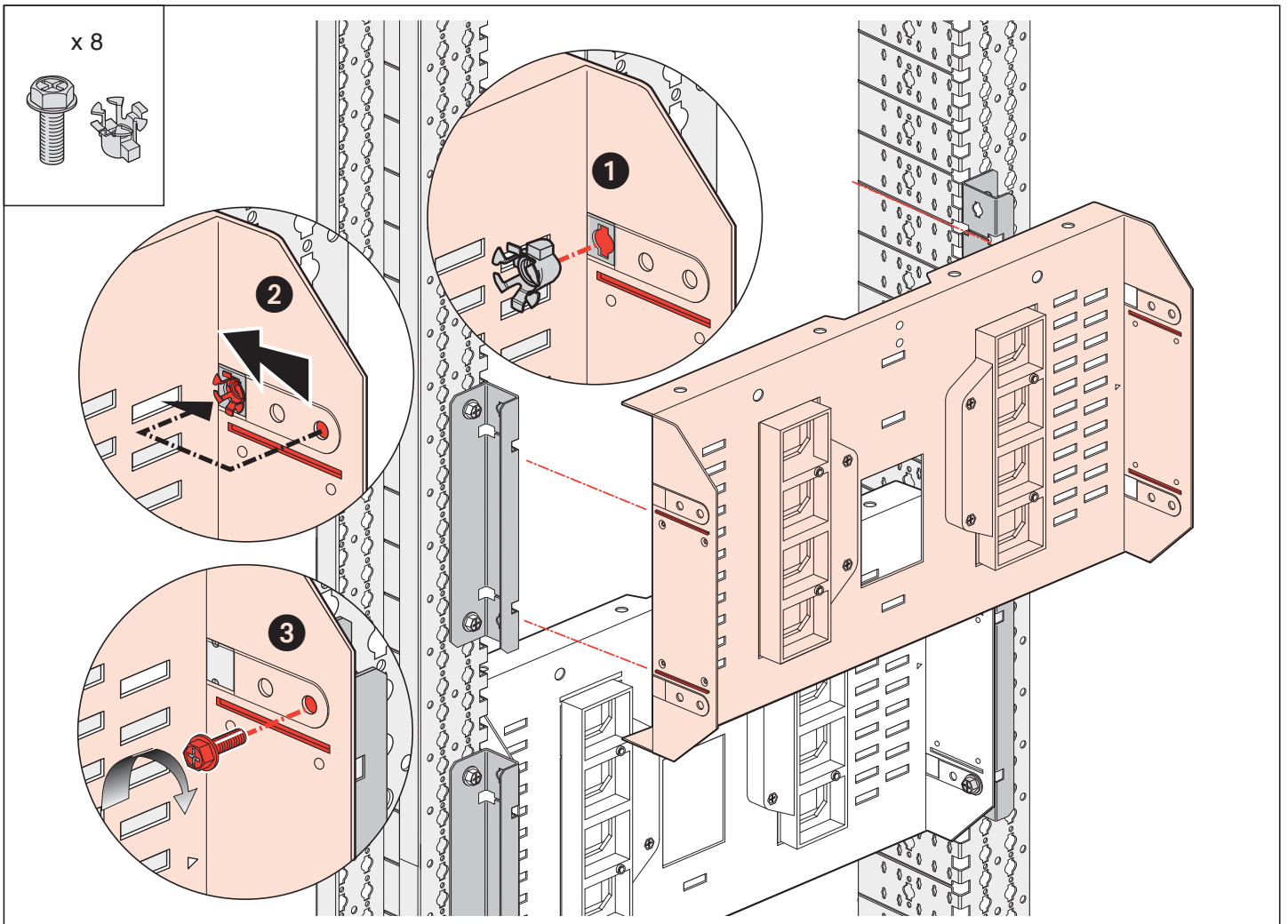
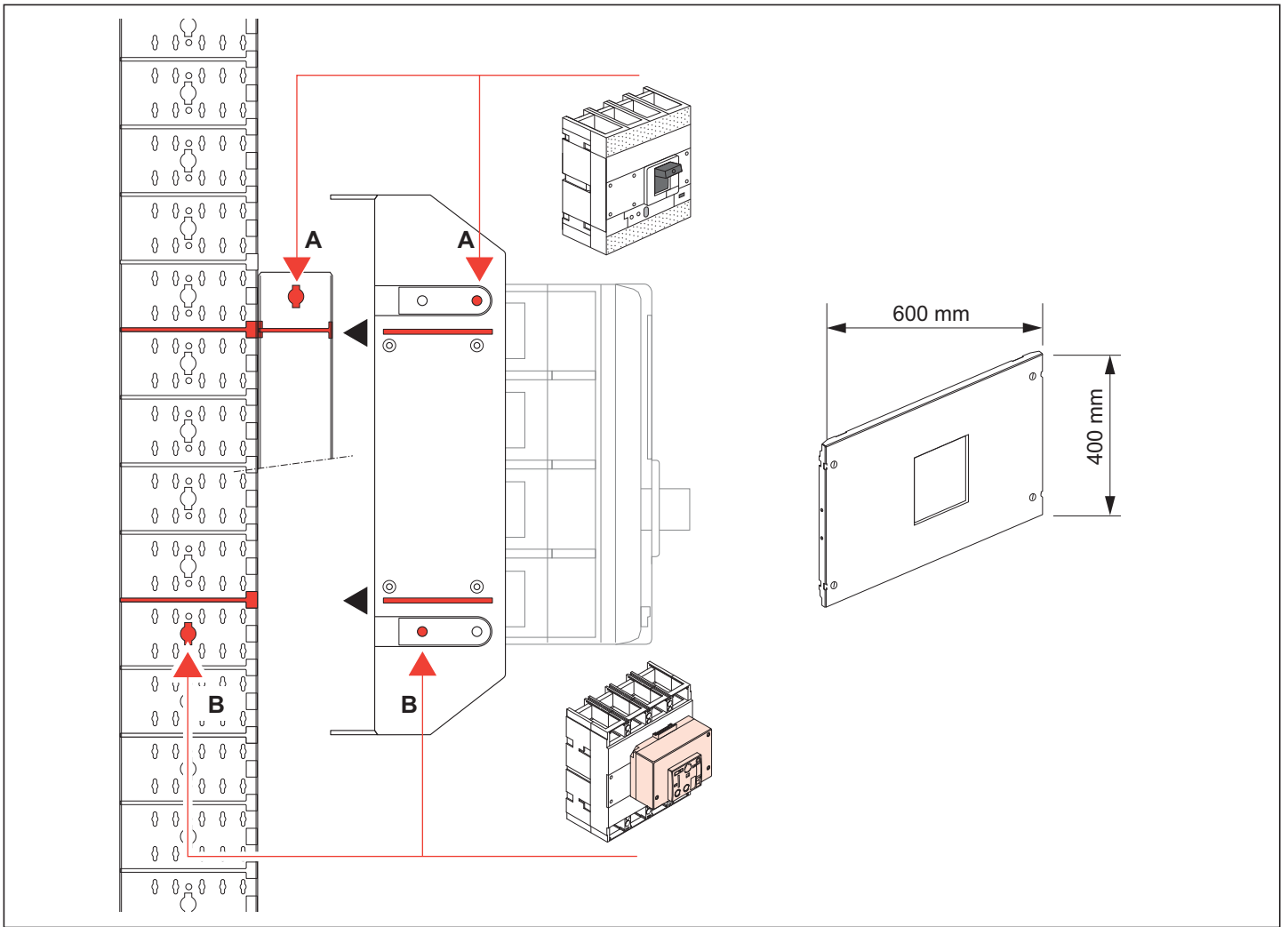


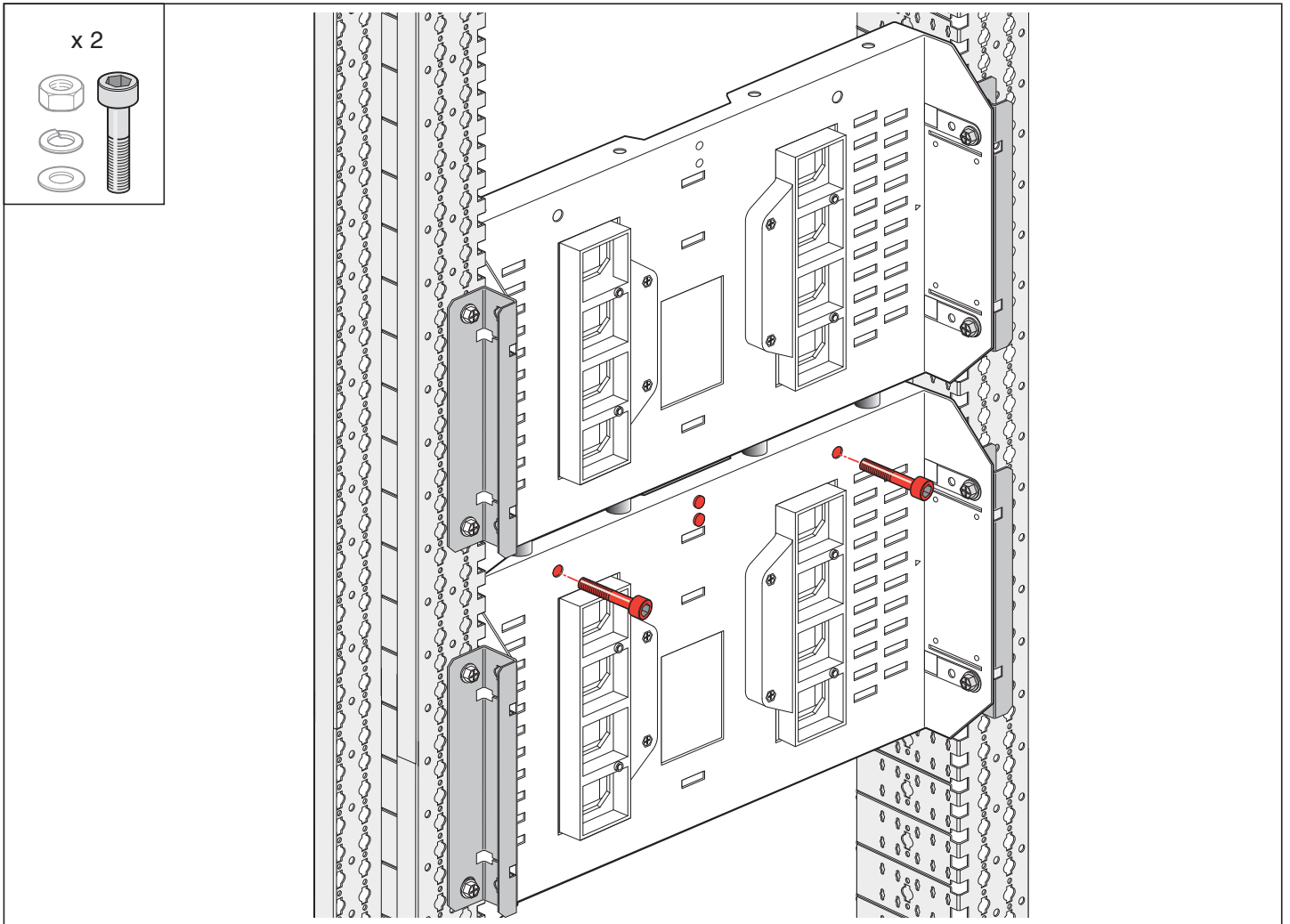
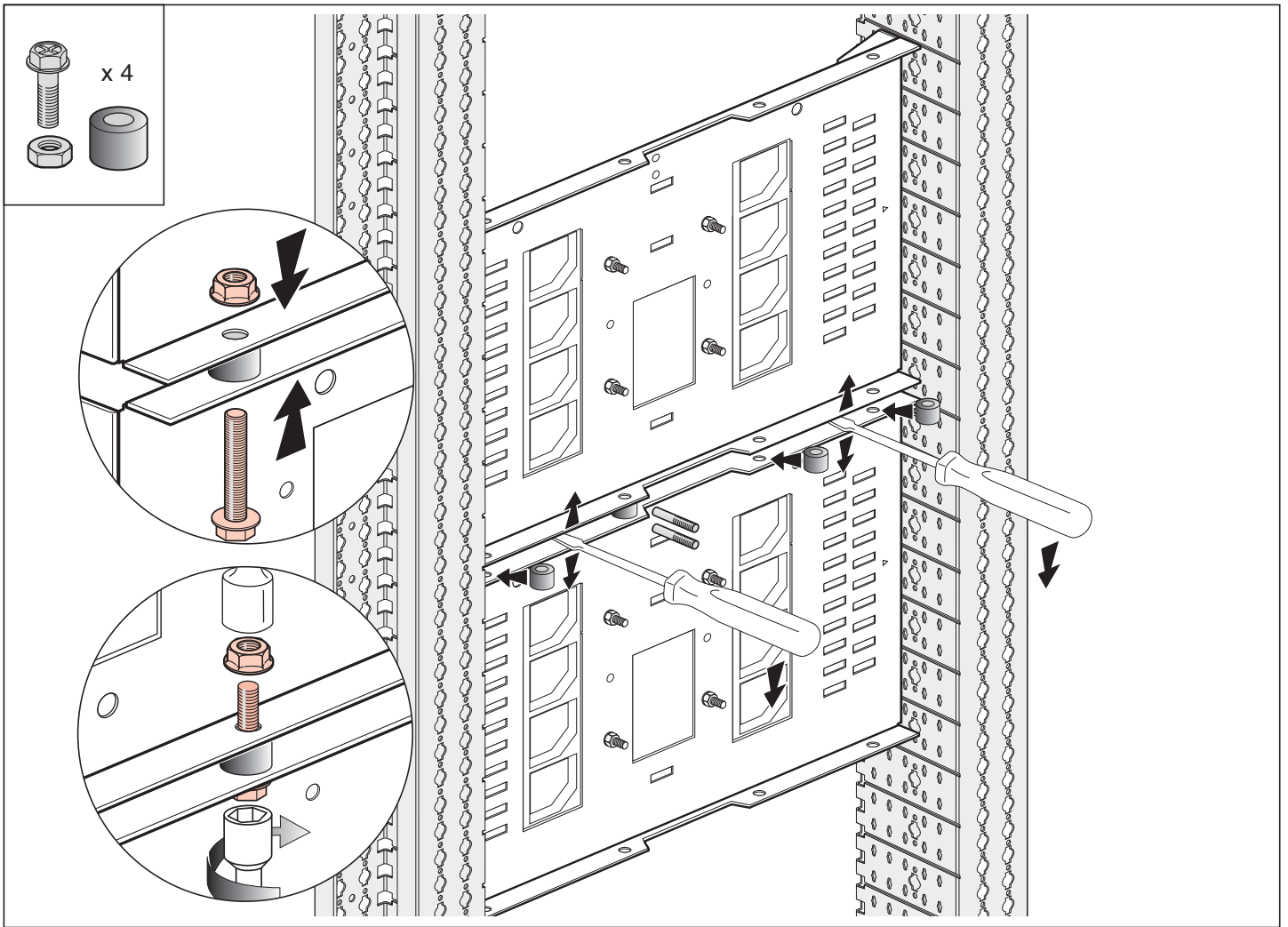
DPX 1600A

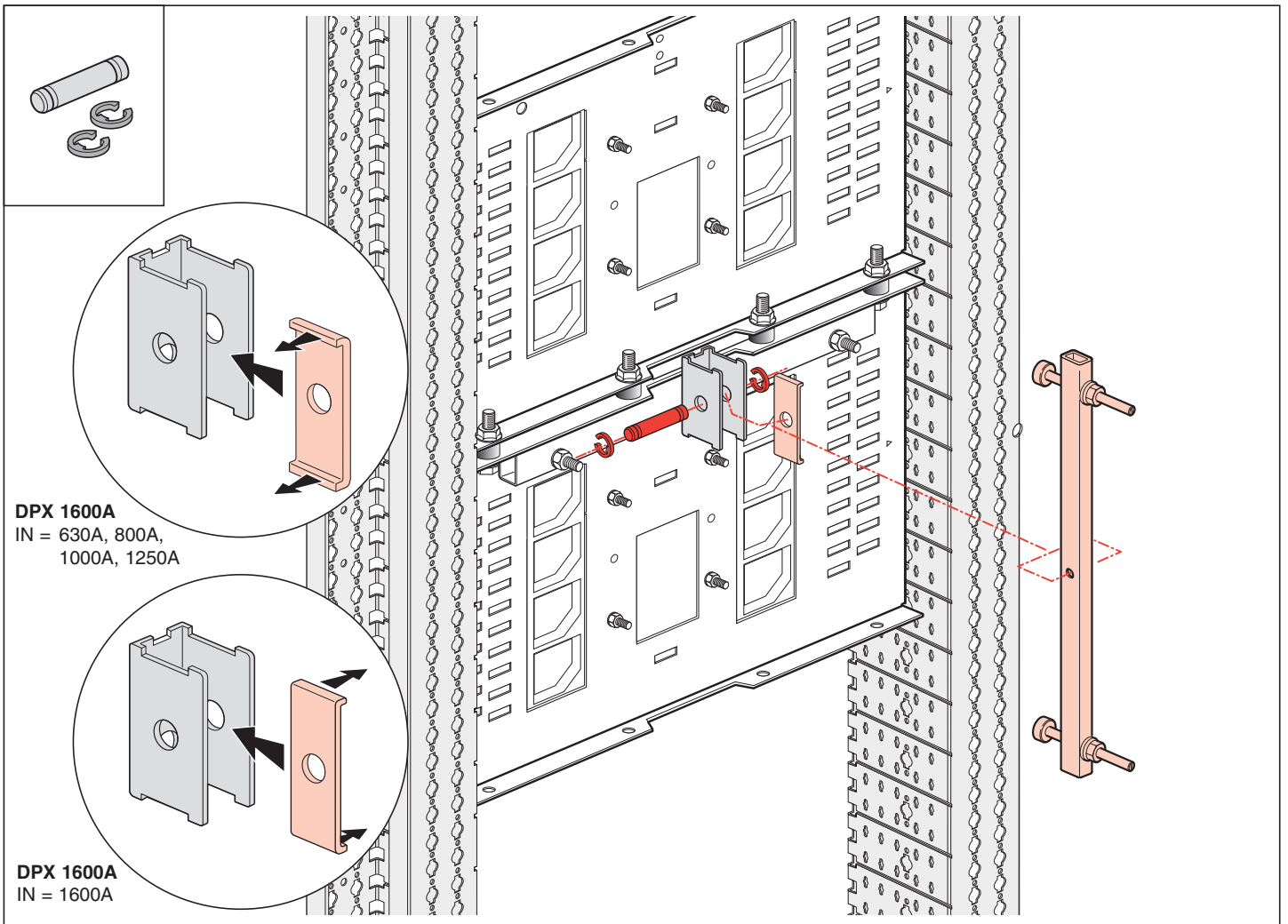
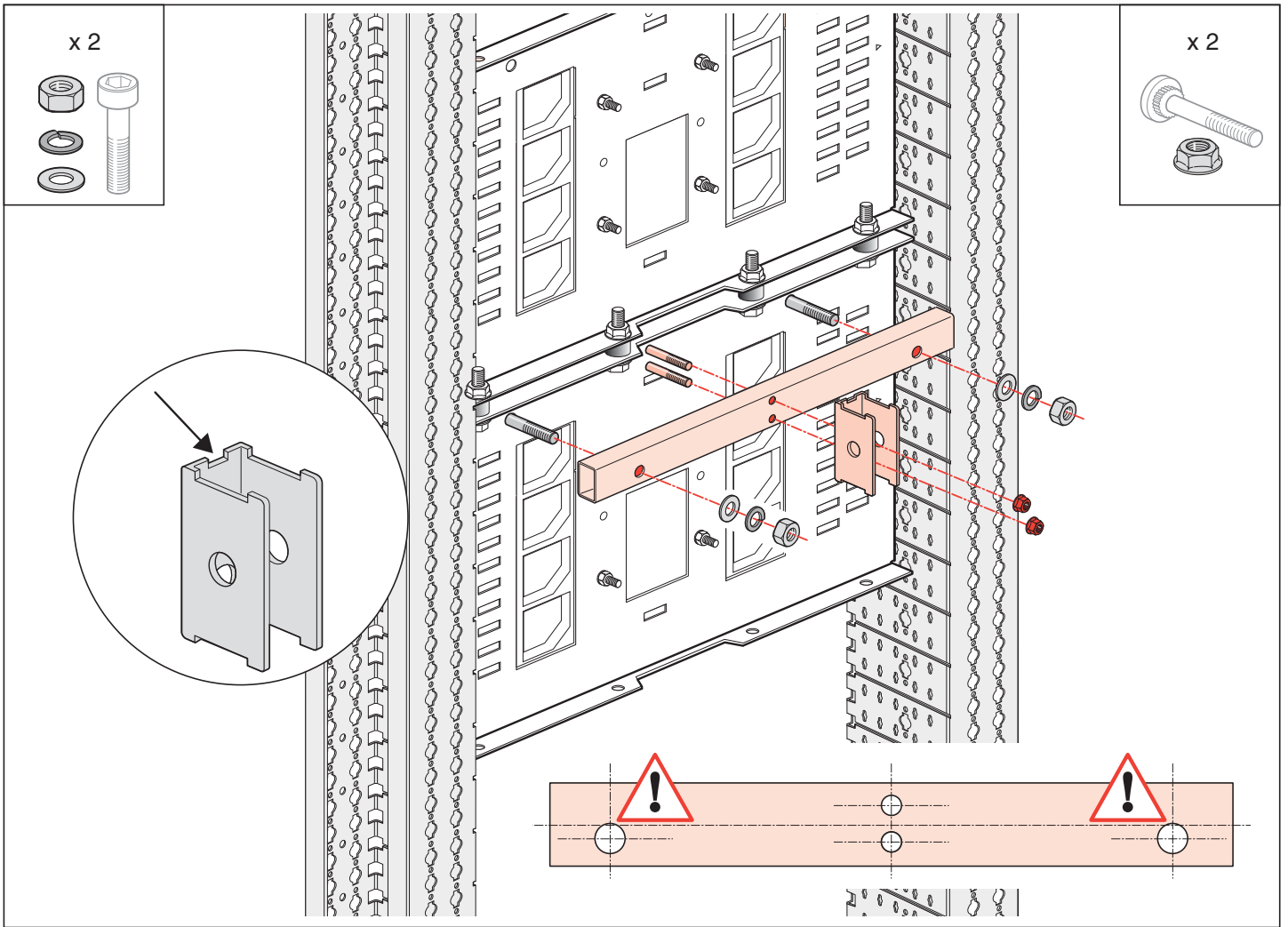






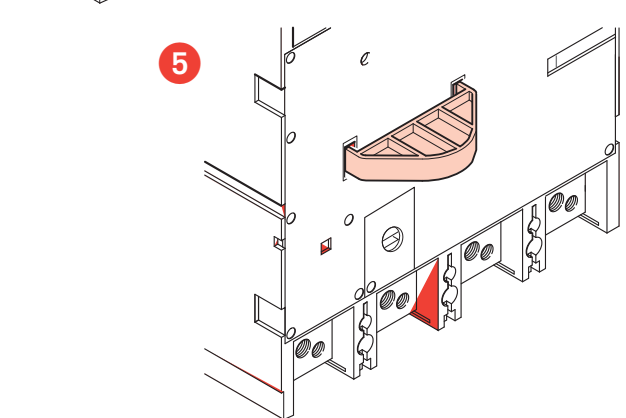
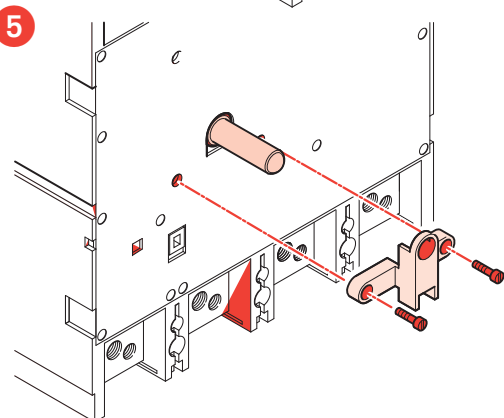
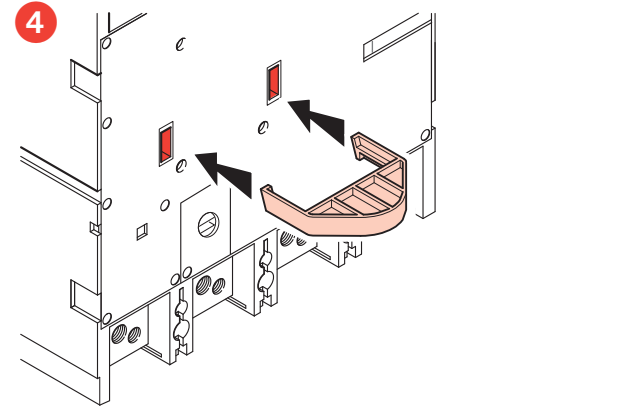
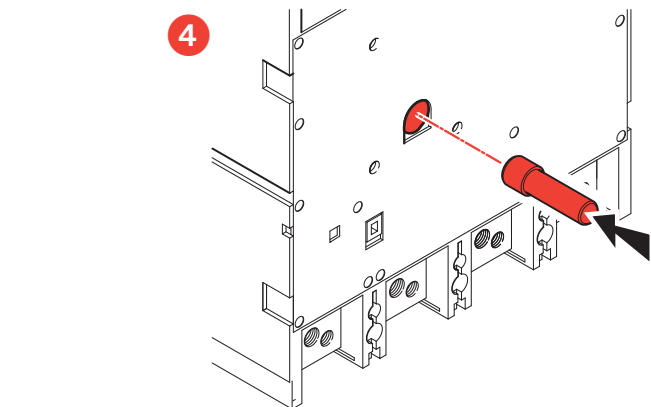
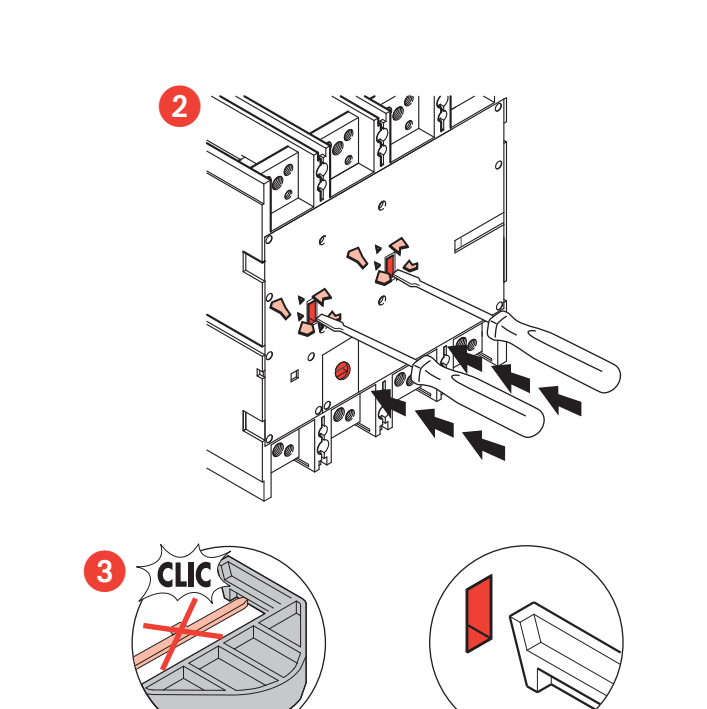
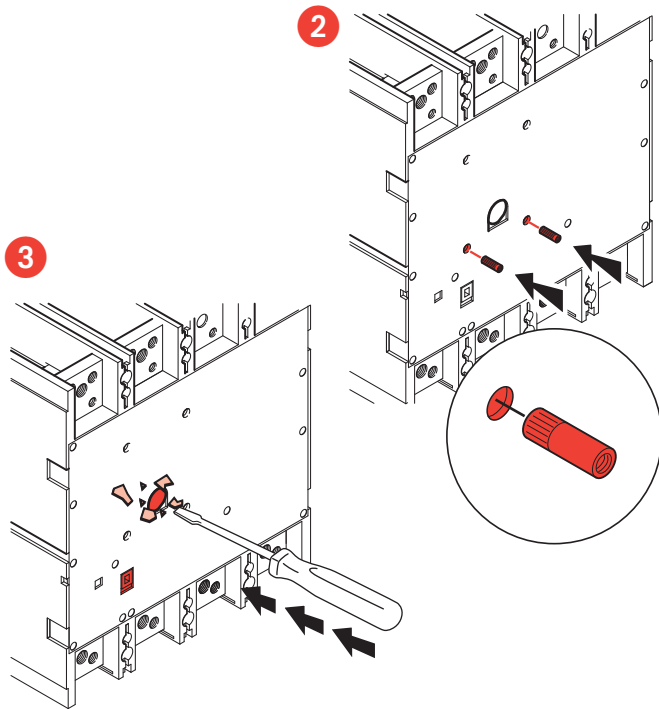
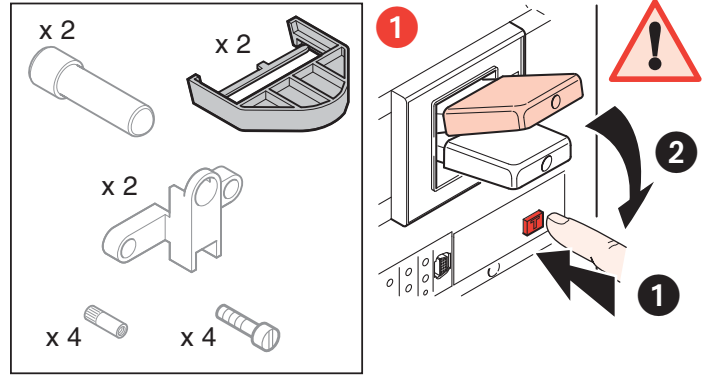
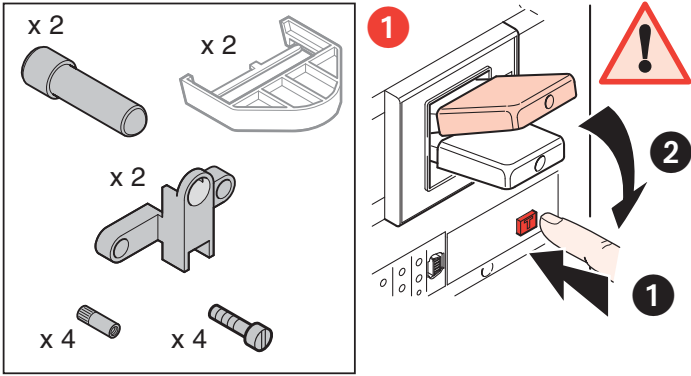




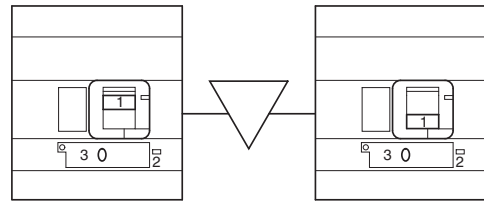
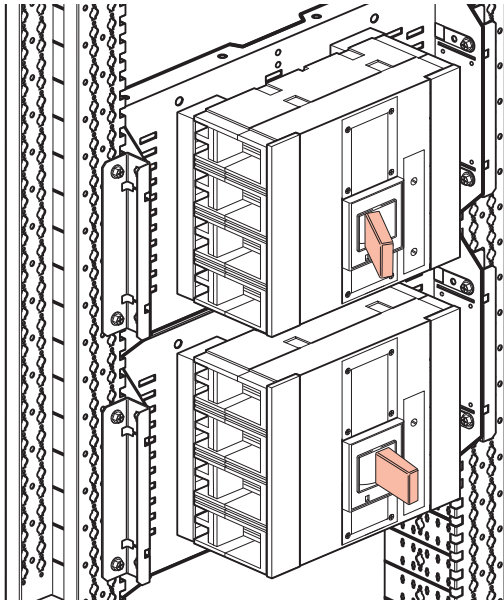


DPX 1600A
IN = 1600A

DPX 1600A
IN = 630A, 800A,
1000A, 1250A



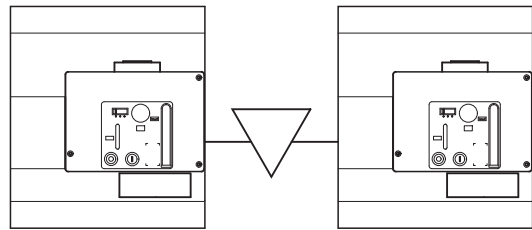
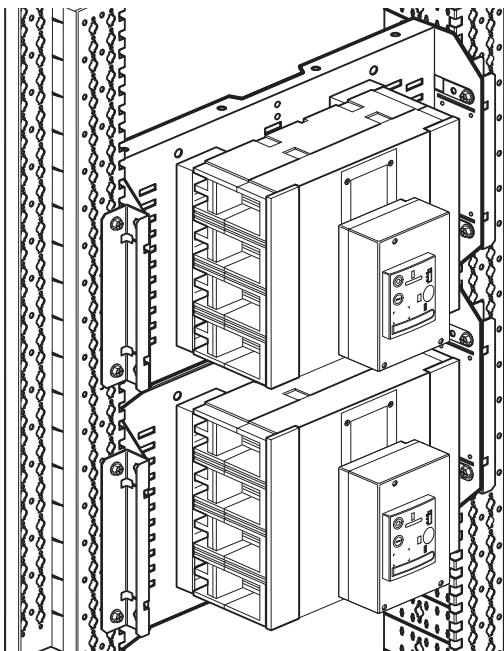
DPX 1600A



ROSSO
RED = fermé
= closed
chiusi

VERDE
GREEN = ouvert
= open
aperti

DPX 1600A



ROSSO
RED = fermé
= closed
chiusi

VERDE
GREEN = ouvert
= open
aperti

ressort chargé
springs unloaded
molle scariche

ressort décharg
springs loaded
molle cariche

