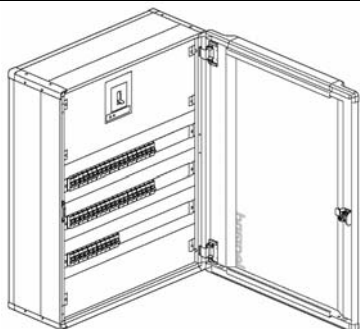


# XL<sup>3</sup> 800 metal distribution cabinets, free-standing enclosures and cable compartments

Cat. No(s) : 20401/02/03/04/06/07/08/09/23/24



CONTENTS	PAGE
1. General characteristics .....	1
2. Finish .....	1
3. Range .....	1
4. Overall dimensions .....	2
5. Equipment .....	3
6. Accessories .....	5

## 1. GENERAL CHARACTERISTICS

Assemblable extendable metal distribution cabinets, free-standing enclosures and cable ducts, delivered unassembled with packaging reusable after assembly

- Ingress protection against solids and liquids to standards IEC 60529 and NF EN 60529:  
IP 30 without door  
IP 40 with door  
IP 43 with door, seal and insulated cable entry panel
- Mechanical impact rating to standards NF EN 50102 and NF C20.015 :  
IK 07 without door  
IK 08 with door
- Maximum current strength: 800 A
- Maximum tolerated surge intensity  $I_{cw}$  and associated peak current  
 $I_{pk}$  : 25 kA 1s  
 $I_{pk}$  : 50 kA

### 1-1 Structure

- Assembly of steel plate elements :
  - 1 Rear panel in galvanized steel plate with 2 mounting supports perforated at 25 mm intervals.
  - 4 cutaway steel sheet side panels to allow horizontal and vertical coupling, connection to cable compartments and cable feedthrough
  - 4 side panel support angles
  - Multihead fastener set (PZ, slotted, H10 head)
  - 1 insulated cable entry panel for IP 43 (included)
  - Wall-mounted by rear panel or by external mounting brackets (to be ordered separately).
  - Reversible metal doors with or without window, flat or curved, delivered with handle (without barrel), angle of opening 120° (to be ordered separately).
  - Capacity: 24 and 36 modules per row.

## 1. GENERAL CHARACTERISTICS (cont.)

### 1-2 Standard conformity

- Legrand cabinets and free-standing enclosures are designed in compliance with all the relevant international standards.

CEI 60529	Degree of protection provided by enclosures (IP code)
EN 60529	
NFC 20-015	Degree of protection provided by enclosures of electrical equipment against external mechanical impact (IK code)
NF EN 50102	

CEI 60439-1	Low voltage switchgear and controlgear assemblies
NF EN 60439-1	

CEI 60439-3	Low voltage switchgear and controlgear assemblies
NF EN 60439-3	

### 1-3 Resistance to climatic conditions :

- Salt spray : 1000 h
- Operating temperature : - 5°C à + 40° C
- Storage temperature : - 10°C à + 70°C

### 1-4 Fire resistance :

- Glow wire resistance 750° C / 5 s to IEC 60695.2

## 2. FINISH

### 2-1 Outer housing

- Rear panel in galvanized steel plate th. 10/10 mm
- Cutaway side panels in steel plate th. 10/10 mm  
Colour grey RAL 7035
- Upper and lower cutaway panels in painted steel plate th. 10/10 mm colour grey RAL 7035
- Faceplate in painted steel plate th. 10/10 mm colour grey RAL 7035 (to be ordered separately)
- Plinth in painted steel plate th. 10/10 mm colour grey RAL 7004
- Metal door th. 10/10 mm colour grey RAL 7035
- Insulated cable entry panel th. 3 mm

### 2-2 Coating

- Beige RAL 7035 epoxy polyester powder-coated paint coating thickness 50/70 µ.

# XL<sup>3</sup> 800 metal distribution cabinets, free-standing enclosures and cable compartments

Cat. No(s) : 20401/02/03/04/06/07/08/09/23/24

## 3. RANGE

### 3-1 Metal cabinets

- Delivered in kit form with mounting supports on rear panel, cutaway cable entry panel, metal side panels and screws for horizontal and vertical coupling. Cabinets Cat. No. 20406/07 can include a built-in cable compartment.

Height mm	Inside height mm	Inside width mm	Inside depth below faceplate mm	Nbre Modules	Weight kg	Cat. No
1050	1000	600	193	24	22,4	20401
1250	1200	600	193	24	27,6	20402
1050	1000	850	193	36*	28,4	20406
1250	1200	850	193	36*	32	20407

\*24 modules with internal cable compartment

### 3-2 Metal free-standing enclosures

- Delivered in kit form with mounting supports on rear panel, insulated cutaway cable entry panel, metal side panels and screws for horizontal and vertical coupling, plinth height 100 mm. Cabinets Cat. No. 20408/09 can include a built-in cable compartment.

Height mm	Inside height mm	Inside width mm	Inside depth below faceplate mm	Nbre Modules	Weight kg	Cat. No
1550	1400	600	193	24	32	20403
1950	1800	600	193	24	38	20404
1550	1400	850	193	36*	40	20408
1950	1800	850	193	36*	46,8	20409

\*24 modules with internal cable compartment

### 3-3 Cable compartment for metal cabinets

- Delivered in kit form with mounting supports on rear panel, insulated cutaway cable entry panel, metal side panels and screws for horizontal and vertical coupling, plinth height 100 mm.

Height mm	Inside height mm	Inside width mm	Inside depth below faceplate mm	Weight kg	Cat. No
1550	1400	400	193	26,4	20423
1950	1800	400	193	12,6	20424

## 4. OVERALL DIMENSIONS

### 4-1 Cabinets

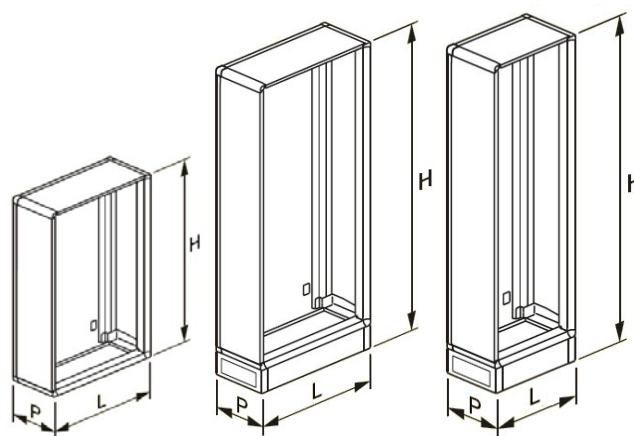
Cat. No.	H	L	P	P+Door
20401	1050	660	230	273
20402	1250	660	230	273
20406	1050	910	230	273
20407	1250	910	230 </td <td>273</td>	273

### 4-2 Free-standing enclosures

Cat. No.	H	L	P	P+Door
20403	1550	660	230	273
20404	1950	660	230	273
20408	1550	910	230	273
20409	1950	910	230	273

### 4-3 Cable compartments

Cat. No.	H	L	P	P+Door
20423	1550	460	230	273
20424	1950	460	230	273



### 4-4 Wall mounting

A = 415	A = 415 B = 245 C = 215	A = 665
D = 560	D = 560 E = 100 F = 360	D = 810
G = 710	G = 1170	G = 960

# XL<sup>3</sup> 800 metal distribution cabinets, free-standing enclosures and cable compartments

Cat. No(s) : 20401/02/03/04/06/07/08/09/23/24

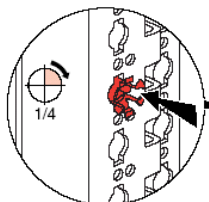
## 4. OVERALL DIMENSIONS (cont.)

### 4-5 Passthrough

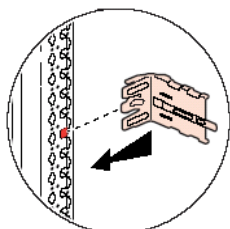
- Mounting supports

Profiled steel mounting supports with 3 alternating perforations

- Perforated at 25 mm intervals for fixing nut clips



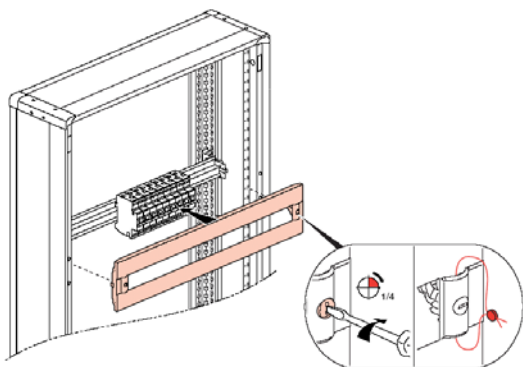
- Perforated at 25 mm intervals for fixing rail support brackets



- Perforated at 25 mm intervals (diameter 4.5 mm) for screw attachment

## 5. EQUIPMENT

### Faceplates



Sealable 1/4-turn fix and release faceplates and faceplates with captive screws

Screw faceplates can include hinges Cat. No. 20959

- Plain metal faceplates

1/4-turn 24 modules	Screw 24 modules	Screw 36 modules	Height (mm)
20840	20940	20990	50
20841	20941	20991	100
20842	20942	20992	150
20843	20943	20993	200
20844	20944	20994	300
20845	20945	20995	400
20846	20946	20996	600

## 5. EQUIPMENT (cont.)

- Faceplates for rail-mounted devices, Lexic, Vistop up to 160A, DPXIS 250, DPX 125, DPX 160 and DPX 250 ER

1/4-turn 24 modules	Screw 24 modules	Screw 36 modules	Height (mm)
20800	20900	20950	150
20801	20901	20951	200
20810	20910	20960	300

- For devices on fixing plate in vertical position DPXIS 250, DPXIS 630 and Vistop 800A

1/4-turn 24 modules	Screw 24 modules	Screw 36 modules	Height (mm)
20810	20910	20960	300
20806	20906	20957	300
20807	20907		300
	20909		300

- For devices on fixing plate in vertical position DPX 125, 160 and 250 ER

1/4-turn 24 modules	Screw 24 modules	Screw 36 modules	Height (mm)
20810	20910	20960	300
20812	20912	20962	400

- For devices on fixing plate in horizontal position DPX 125, 160 and 250 ER

1/4-turn 24 modules	Screw 24 modules	Height (mm)
20814	20914	200
20815	20915	200
20816	20916	200
	20810	300

- For devices on fixing plate in vertical position DPX 250, 630 and 1600 ER fixed version, front terminal

1/4-turn 24 modules	Screw 24 modules	Screw 36 modules	Height (mm)
20820	20920	20970	400
20822	20922	20972	600
20830	20930	20980	400

- For devices on fixing plate in horizontal position DPX 250, 630 and 1600 ER fixed version, front terminal

1/4-turn 24 modules	Screw 24 modules	Screw 36 modules	Height (mm)
20824	20924		200
20825	20925		300
20834	20934	20984	400

# XL<sup>3</sup> 800 metal distribution cabinets, free-standing enclosures and cable compartments

Cat. No(s) : 20401/02/03/04/06/07/08/09/23/24

## 5. EQUIPMENT (cont.)

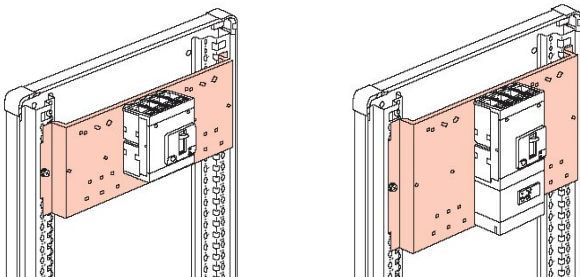
- Ventilation screw faceplate height 200 mm
- Cat. No. 20949: 24 modules
- Cat. No. 20999: 36 modules
- Plain faceplate with hinges and locks for internal cable compartments
- Cat. No. 20446: for cable compartment height 1050 mm
- Cat. No. 20447: for cable compartment height 1250 mm
- Faceplate with hinges and locks for internal cable compartments, pre-cut for DPX 250 or 630 with or without RCD I
- Cat. No. 20448: for cable compartment height 1400 mm
- Cat. No. 20449: for cable compartment height 1800 mm
- Faceplate with hinges and locks for external cable compartments, pre-cut for DPX 250 or 630 with or without RCD
- Cat. No. 20443: for cable compartment height 1550 mm
- Cat. No. 20444: for cable compartment height 1995 mm

### Doors for cabinets and free-standing enclosures

Metal	Transparent	Width (mm)		Height (mm)	Cabinet/door distance (mm)	
		660	910		Metal	Transp.
21251	21261	X		1050	67	63
21252	21262	X		1250	67	63
21256	21266		X	1050	67	63
21257	21267		X	1250	67	63
21253	21263	X		1550	67	63
21254	21264	X		1950	67	63
21258	21268		X	1550	67	63
21259	21269		X	1950	67	63

### Internal cable compartments

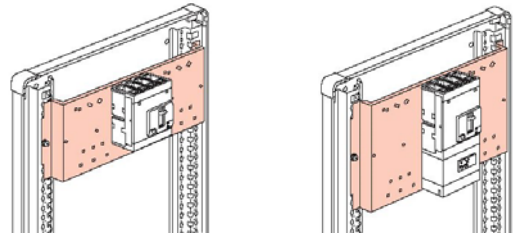
- Kit for cabinets and free-standing enclosures width 910 mm accommodating internal cable compartment of inside length 250 mm right or left
- Cat. No. 20426 for cabinet height 1050 mm
- Cat. No. 20427 for cabinet height 1250 mm
- Cat. No. 20428 for free-standing enclosure height 1550 mm
- Cat. No. 20429 for free-standing enclosure height 1950 mm
- Fixture
- Cat. No. 20678 for DPX 250 and 630 vertical
- Cat. No. 20679 for DPX 250 and 630 vertical with RCD



## 5. EQUIPMENT (cont.)

### External cable compartments

- Fixture
- Cat. No. 20628 for DPX 250 and 630 vertical
- Cat. No. 20629 for DPX 250 and 630 vertical with RCD



- Doors for external cable compartments
- Cat. No. 20433: for cable compartment height 1550 mm
- Cat. No. 20434: for cable compartment height 1950 mm

### IP 43 Kit

- Cat. No. 20130 for free-standing enclosures and compartments

### Fixture on omega rail

- Cat. No. 20600 2-position 24-module device for modular products and Vistop up to 160 A, DPXIS 250, DPX 125, 160 and 250 ER
- Cat. No. 20650 2-position 36-module device for modular products and Vistop up to 160 A, DPXIS 250, DPX 125, 160 and 250 ER
- Cat. No. 26208 Fixing plate for DPX 125
- Cat. No. 26209 Fixing plate for DPX 160 and DPX 250 ER
- Cat. No. 26239 Fixing plate for DPXIS 250
- Cat. No. 26299 20-module rail spacer for use with Cat. No. 20600 or Cat. No. 20650

### Fixing plates

- Cat. No. 20605 24 modules for 1 or 2 DPXIS 250
- Cat. No. 20655 36 modules for 1 or 2 DPXIS 250
- Cat. No. 20607 24 modules for 1 or 2 DPXIS 630
- Cat. No. 20657 36 modules for 1 or 2 DPXIS 630
- Cat. No. 20609 24 modules for 1 Vistop 800

### Fixing plates for fixed-version devices, with front terminal

#### - Device in vertical position

- Cat. No. 20610 24 modules for 1 to 3 DPX 125, DPX 160 or DPX 250 ER
- Cat. No. 20660 36 modules for 1 to 3 DPX 125, DPX 160 or DPX 250 ER
- Cat. No. 20612 24 modules for 1 to 3 DPX 125, DPX 160 or DPX 250 ER with downstream RCD
- Cat. No. 20662 36 modules for 1 to 3 DPX 125, DPX 160 or DPX 250 ER with downstream RCD
- Cat. No. 20620 24 modules for 1 to 3 DPX 250 or DPX 630
- Cat. No. 20670 36 modules for 1 to 3 DPX 250 or DPX 630
- Cat. No. 20622 24 modules for 1 to 3 DPX 250 or DPX 630 with RCD
- Cat. No. 20672 36 modules for 1 to 3 DPX 250 or DPX 630 with RCD
- Cat. No. 20630 24 modules for 1 DPX 1600
- Cat. No. 20680 36 modules for 1 DPX 1600

# XL<sup>3</sup> 800 metal distribution cabinets, free-standing enclosures and cable compartments

Cat. No(s) : 20401/02/03/04/06/07/08/09/23/24

## 5. EQUIPMENT (cont.)

### - Device in horizontal position

- Cat. No. 20614 24 modules for 1 DPX 125 or DPX 160 with or without downstream RCD I
- Cat. No. 20616 24 modules for 1 DPX 250 ER with or without downstream RCD
- Cat. No. 20624 24 modules for 1 DPX 250 with or without RCD
- Cat. No. 20625 24 modules for 1 DPX 630 with or without RCD
- Cat. No. 20630 24 modules for 1 DPX 1600
- Cat. No. 20680 36 modules for 1 DPX 1600

### Fixing plates for source inverters

- Manually operated devices in vertical position
- Cat. No. 20664 24 modules for 2 DPX 160
- Cat. No. 20666 24 modules for 2 DPX 250 ER

### Universal fixing plates

- Perforated fixing plates width 600 mm
- Cat. No. 20641 Height 200 mm
- Cat. No. 20642 Height 400 mm
- Plain fixing plates width 600 mm
- Cat. No. 20643 Height 200 mm
- Cat. No. 20644 Height 400 mm
- Cat. No. 20645 Height 600 mm
- Plain fixing plates width 850 mm
- Cat. No. 20646 Height 400 mm

### Universal rails

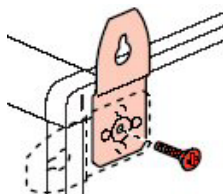
- Cat. No. 20604 Width 600 mm
- Cat. No. 20654 Width 850 mm

### Universal adjustable fixtures

- Cat. No. 20602 For cabinets and free-standing enclosures, 24 modules
- Cat. No. 20652 For cabinets and free-standing enclosures, 36 modules

## 6. ACCESSORIES

- Cat. No. 20100 Set of 4 metal wall-mounting brackets



### Wall bases height 100 mm for cabinets and free-standing enclosures

- Cat. No. 20410 Width 660 mm
- Cat. No. 20411 Width 910 mm
- Cat. No. 20412 For cable compartments width 460 mm

### Blanks

- Cat. No. 20051 Cutaway 24-module blanking plate
- Cat. No. 01665 Breakaway 18-module adjustable strip, separation by module or 1/2-module

### Clip-on adhesive label holder

- Cat. No. 20399 Clip-on adhesive label holder for marking rows on faceplate

## 6. ACCESSORIES (cont.)

### Nut clips for mounting supports

- Cat. No. 20092 Nut for M6 screw
- Cat. No. 20091 M6 screw



### Nut clips for perforated cover plates

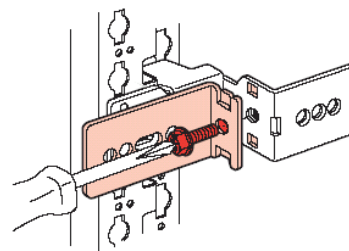
- Cat. No. 36440 For M4 screws
- Cat. No. 36441 For M5 screws



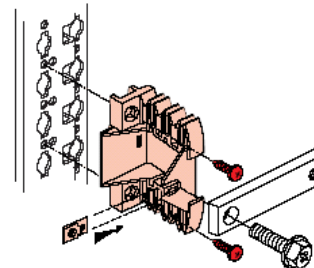
- Cat. No. 36774 Insulated M 6 screw

### Fixture for Lina 25 cable ducting

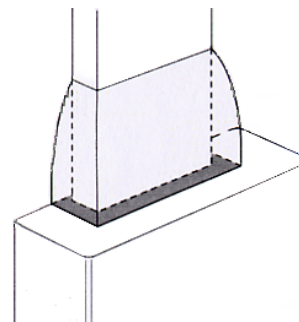
- Cat. No. 20470 For cabinets and free-standing enclosures, 36 mod.
- Cat. No. 20570 For cabinets and free-standing enclosures, 24 mod.



- Cat. No. 20090 Insulated fixing support



- Cat. No. 20160 Finishing strip for DLP / cabinet connection



# XL<sup>3</sup> 800 metal distribution cabinets, free-standing enclosures and cable compartments

Cat. No(s) : 20401/02/03/04/06/07/08/09/23/24

## 6. ACCESSORIES (cont.)

### Door accessories

- Key barrels and knockout, supplied with 2 keys
- Cat. No. 20291 Type 405
- Cat. No. 20292 Type 455
- Cat. No. 20293 Type 1242E
- Cat. No. 20294 Type 2433A
- Cat. No. 20296 Double bar knockout
  
- Adhesive transparent document holder
- Cat. No. 09799 Flexible plastic A4
- Cat. No. 36582 Rigid plastic IP 50

### Connection for protective conductors

- Cat. No. 04819 Flat bar 12 x 2 for IP2X terminal blocks
- Cat. No. 37349 Copper bar 12 x 4
- Cat. No. 37389 Copper bar 12 x 4 with M 5 tapped holes
- Cat. No. 39399 Support for bars Cat. Nos 37301/02/89 and bar Cat. No. 04819
- Cat. No. 37360 Connector for conductor 1.5 mm<sup>2</sup>
- Cat. No. 37361 Connector for conductor 6 to 16 mm<sup>2</sup>
- Cat. No. 37362 Connector for conductor 10 to 35 mm<sup>2</sup>
- Cat. No. 37365 Connector for bar 12 x 4 with tapped holes
- Cat. No. 37385 Equipotential connector cable 6 mm<sup>2</sup>

### Paint spray

- Cat. No. 20098 RAL 7035