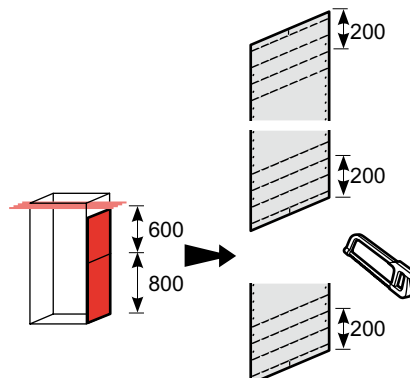
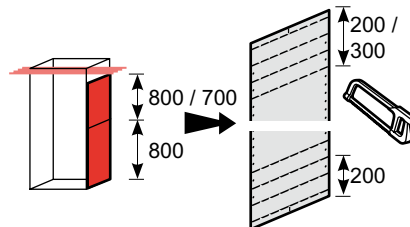
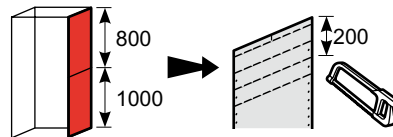
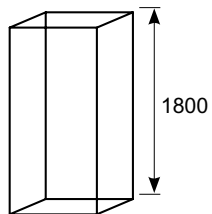
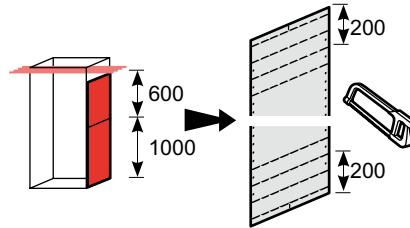
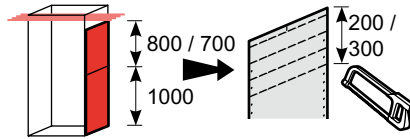
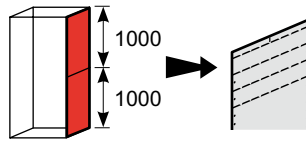
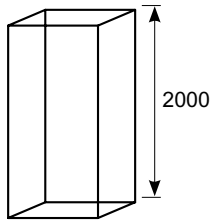
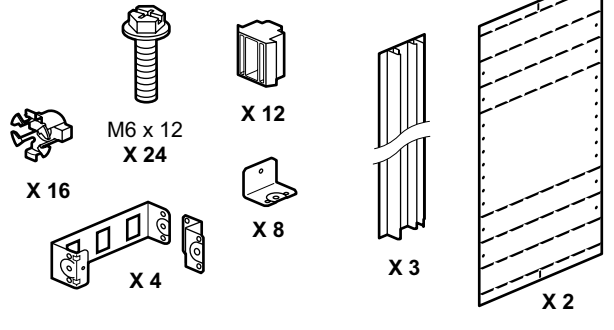
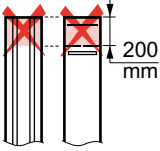
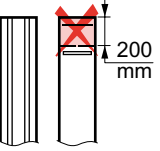
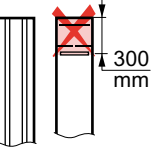
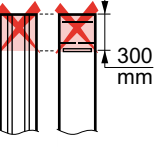
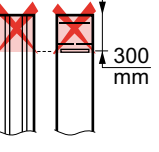
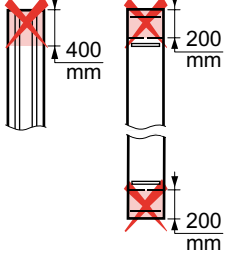
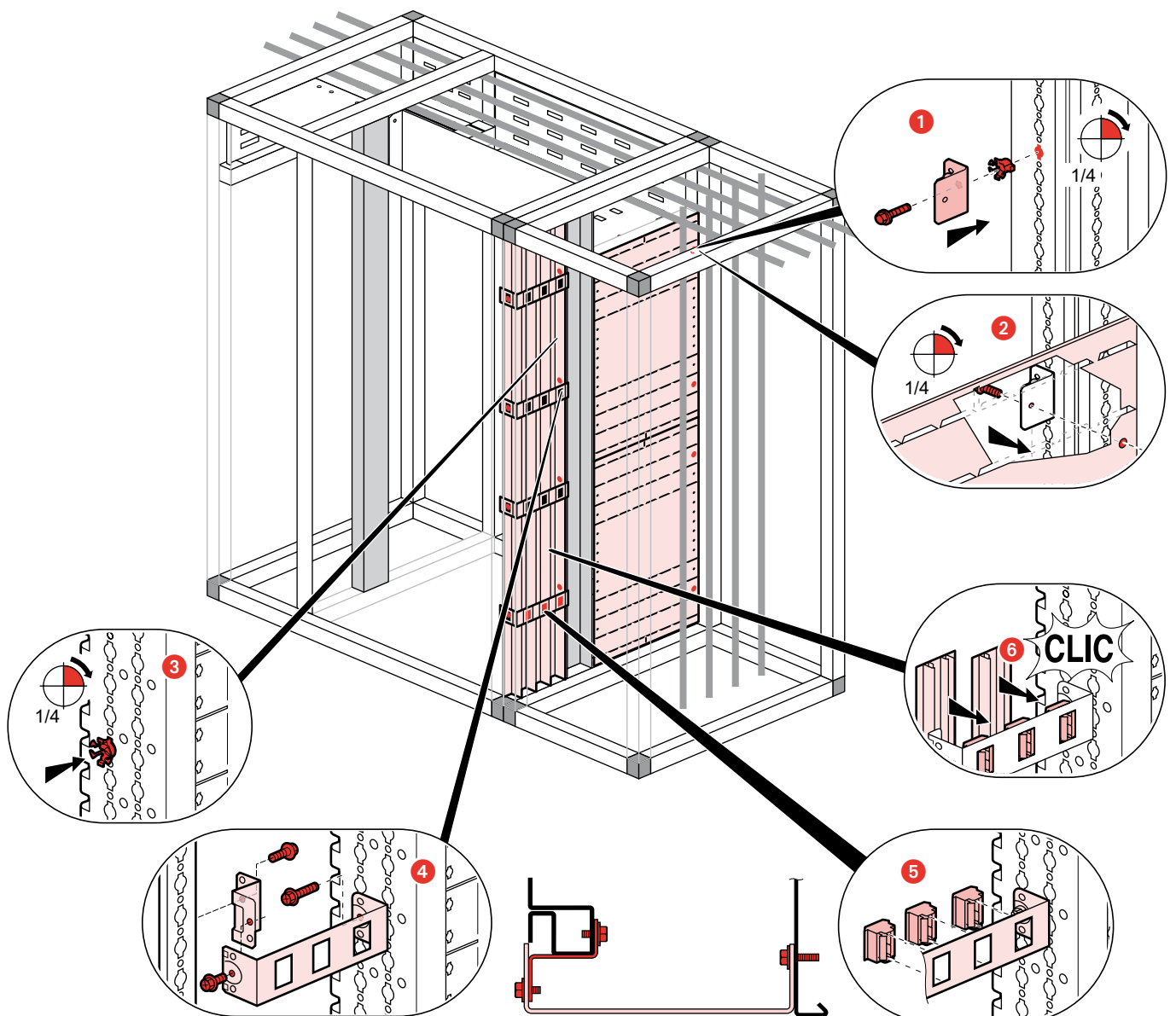


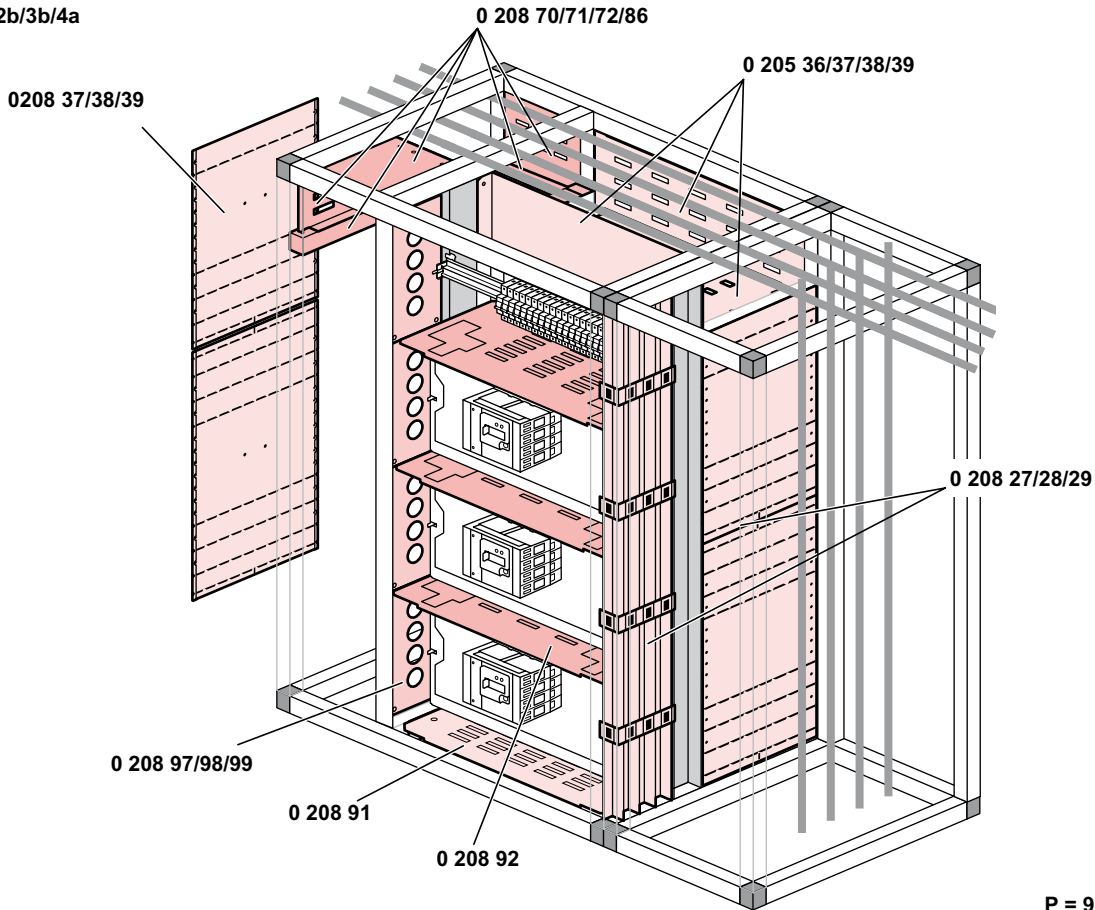
0 208 27/28/29



	P = 475	P = 725	P = 975
1600 A			
4000 A	-		
6300 A	-	-	

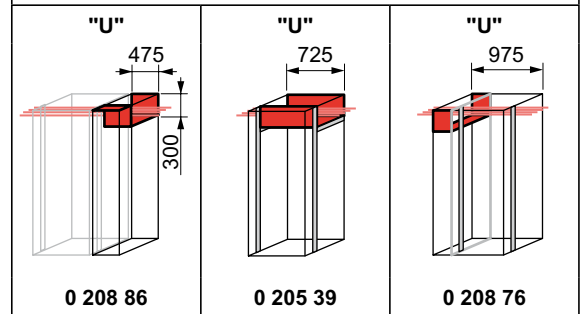


2b/3b/4a



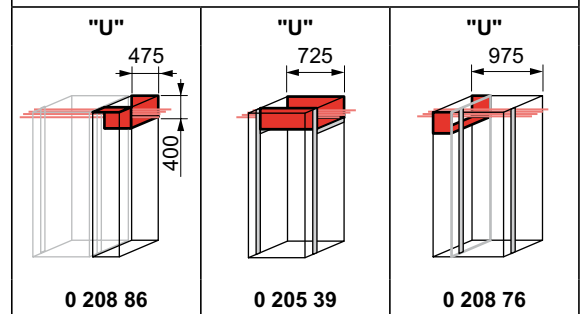
P = 975 mm

I ≤ 4000 A



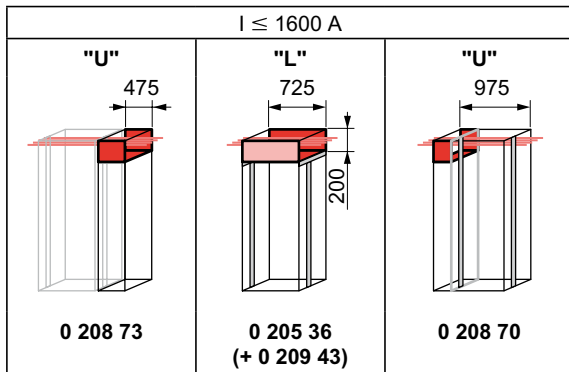
P = 975 mm

I > 4000 A



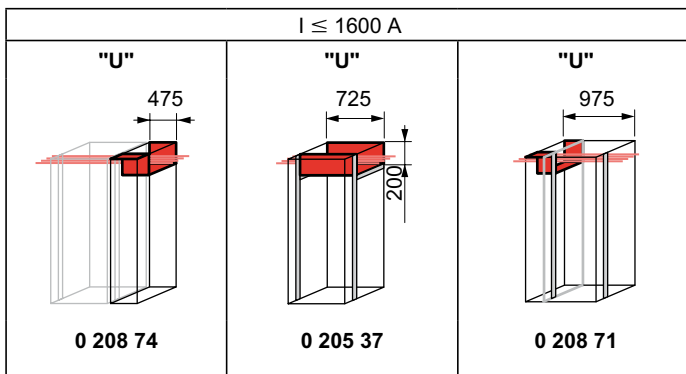
P = 475 mm

I ≤ 1600 A

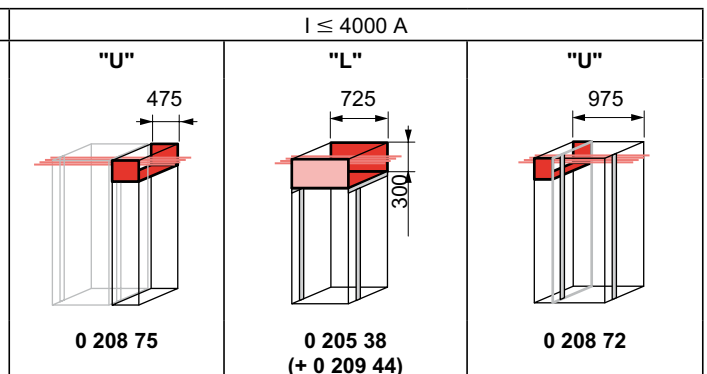


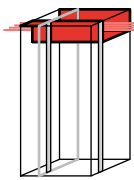
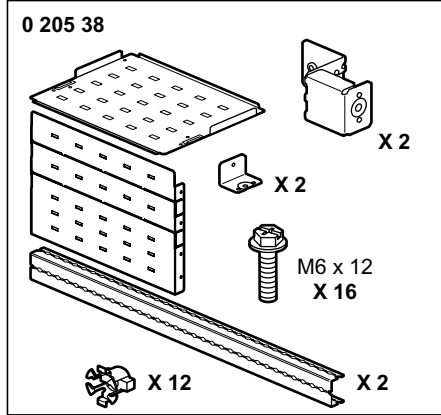
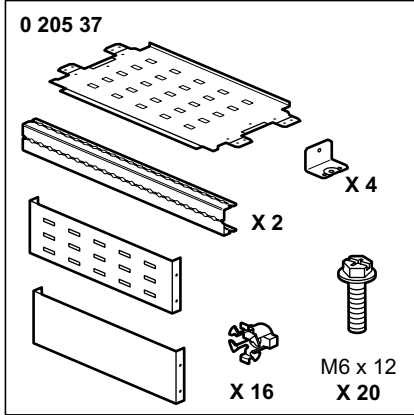
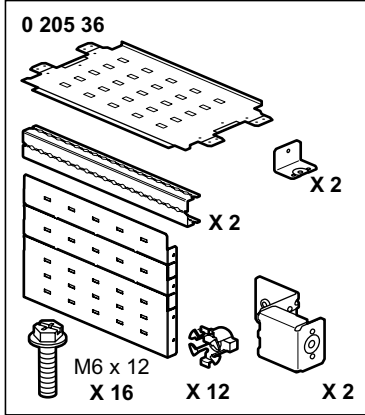
P = 725 mm

I ≤ 1600 A

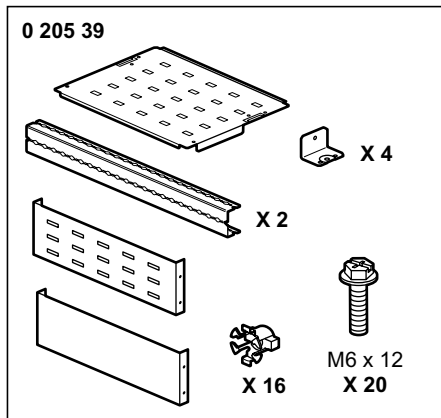
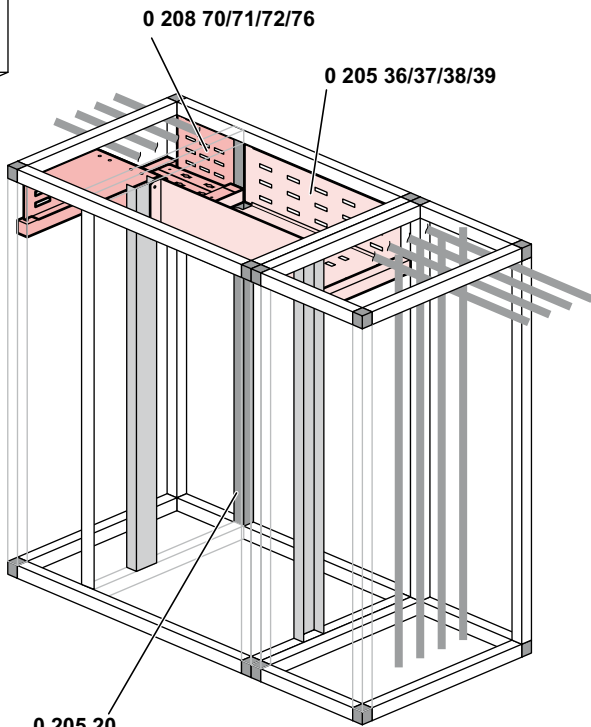


I ≤ 4000 A

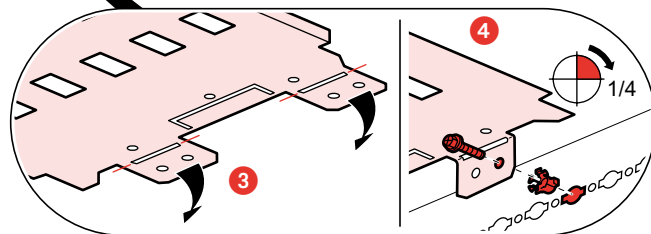
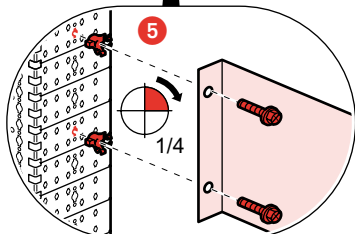
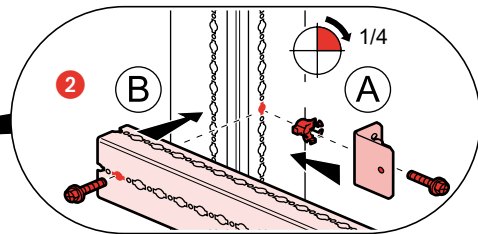
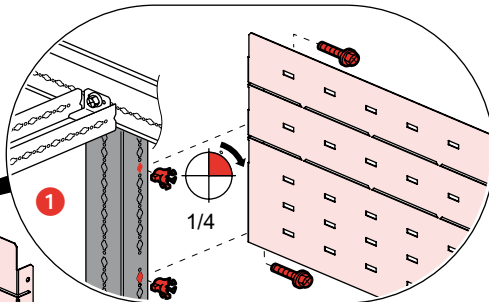
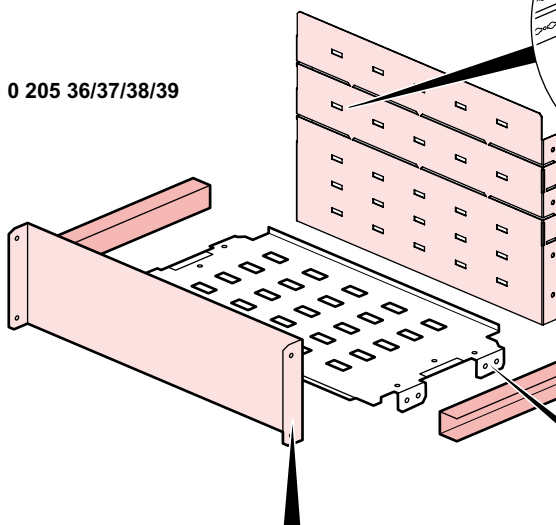


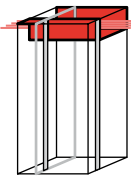


2b/3b/4a

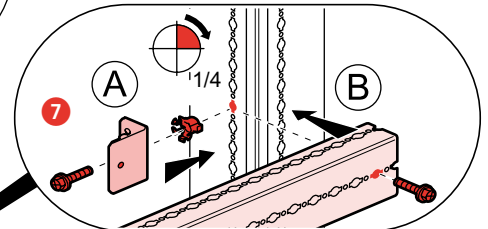
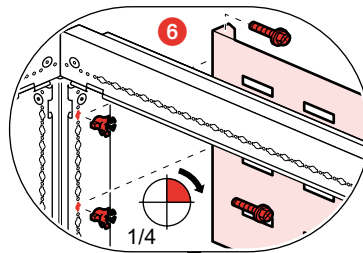
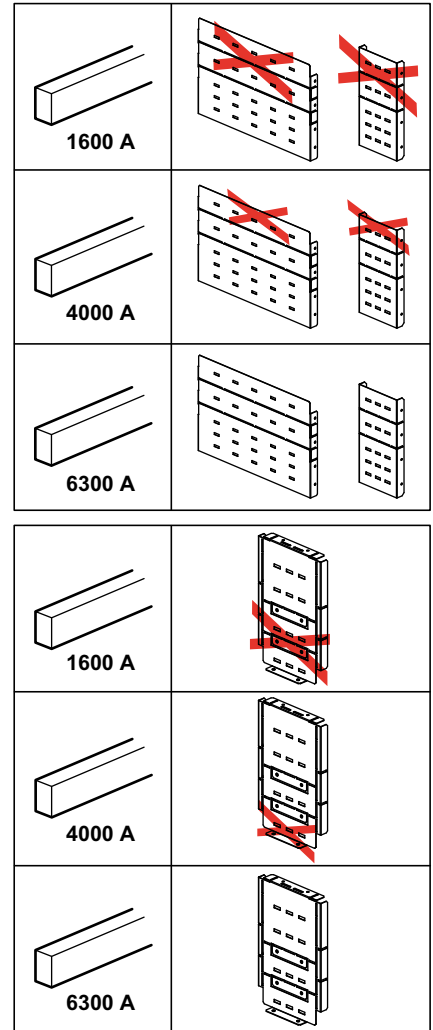
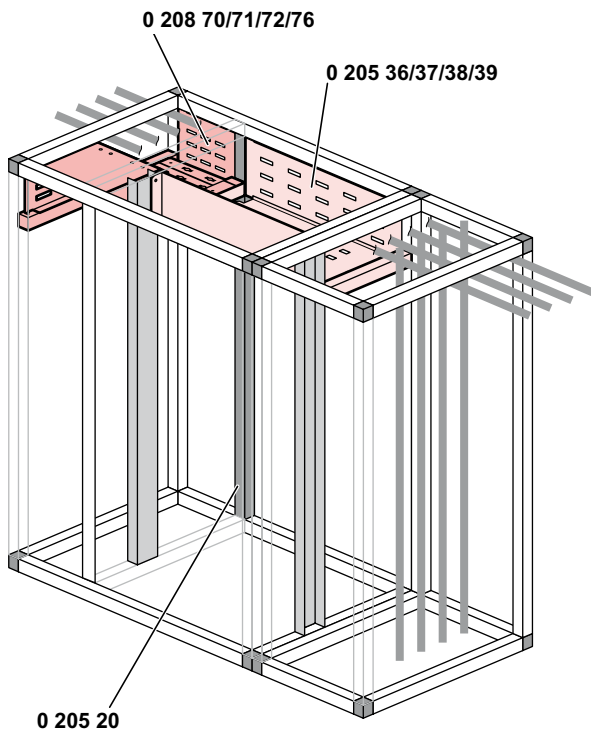


0 205 36/37/38/39

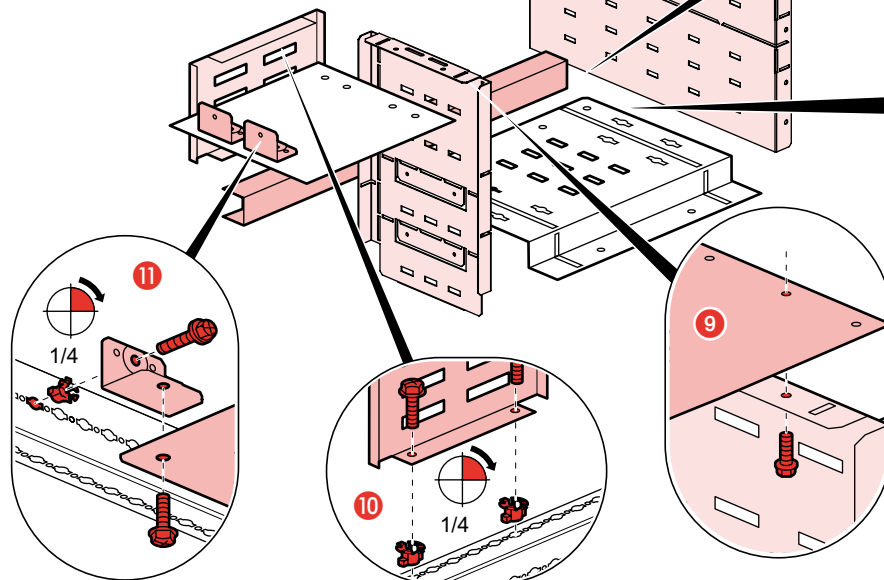


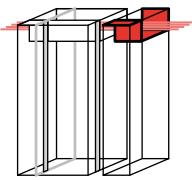


2b/3b/4a

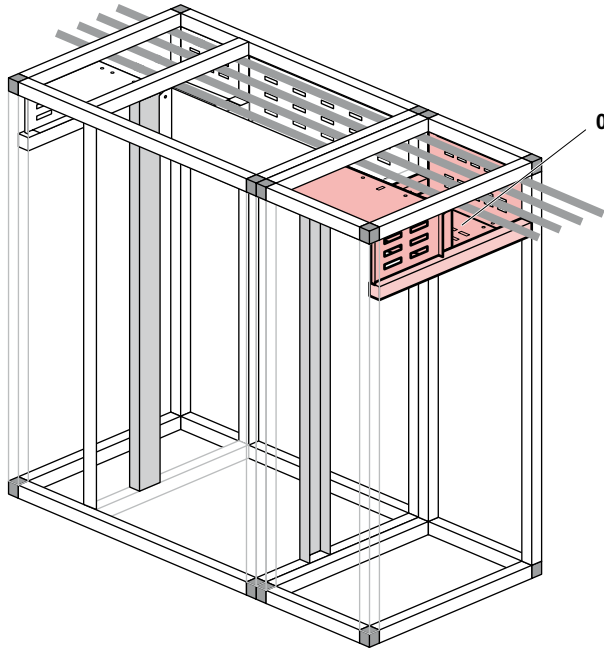


0 208 70/71/72/76

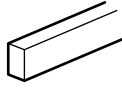
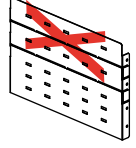
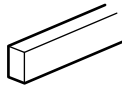
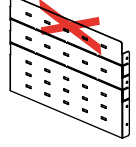
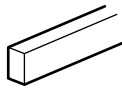
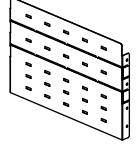


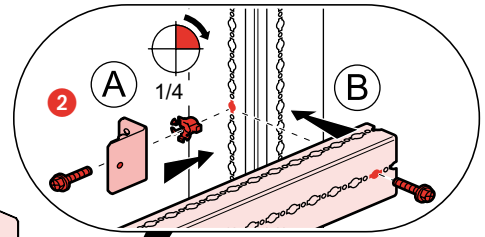
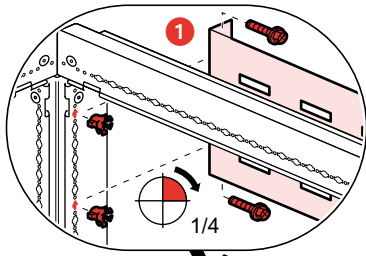
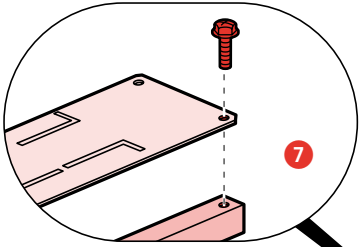


2b/3b/4a

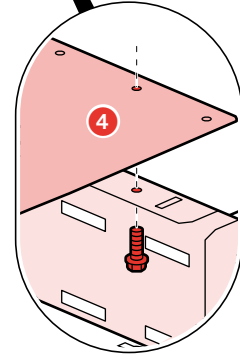
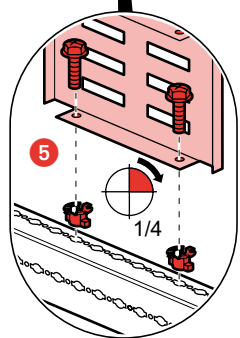
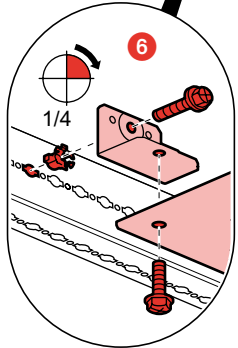
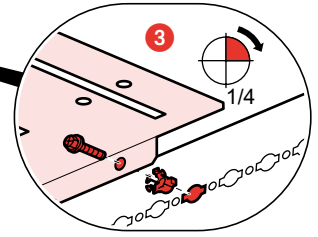
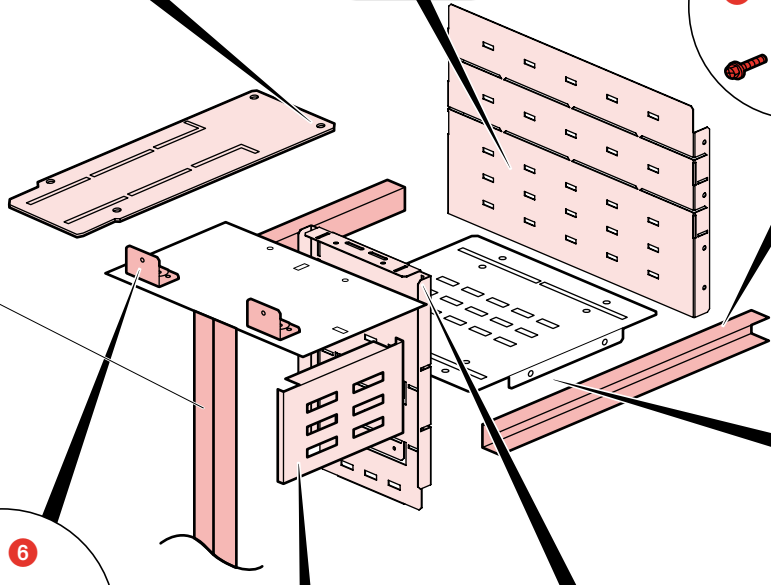


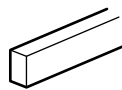
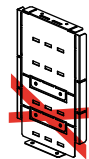
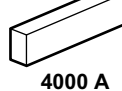
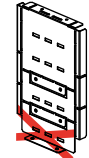
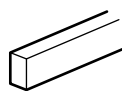
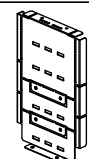
0 208 73/74/75/86

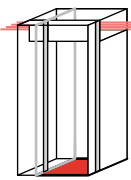
 1600 A	
 4000 A	
 6300 A	



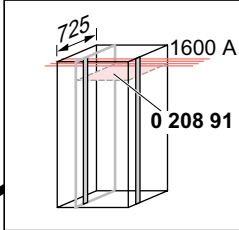
0 205 20



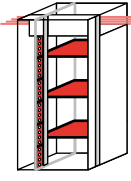
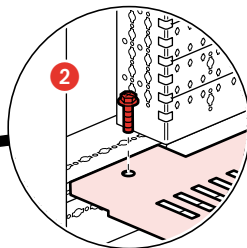
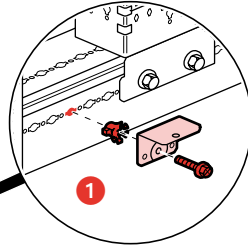
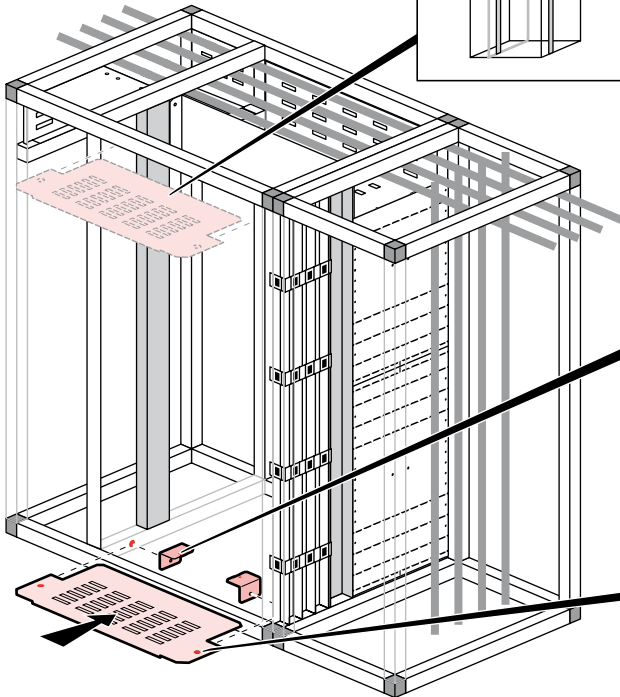
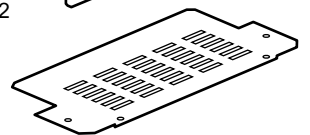
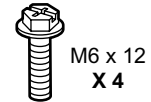
 1600 A	
 4000 A	
 6300 A	



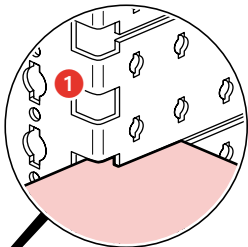
2b/3b/4a



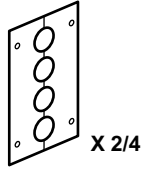
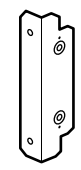
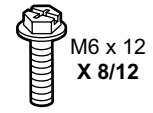
0 208 91/99



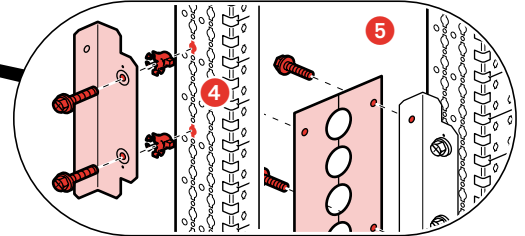
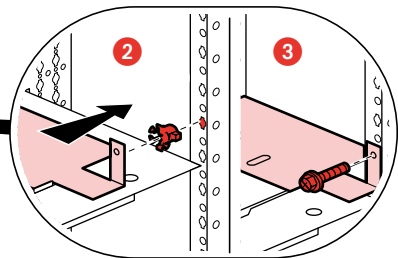
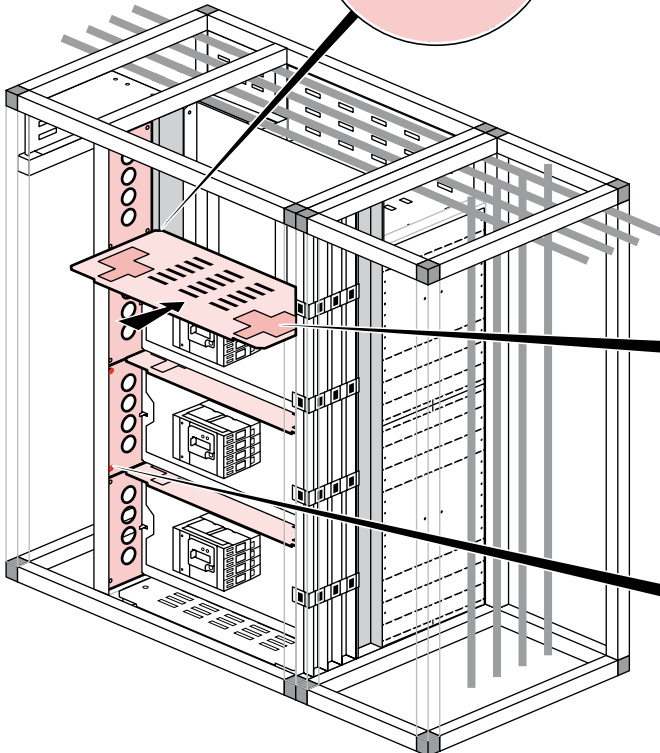
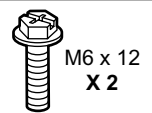
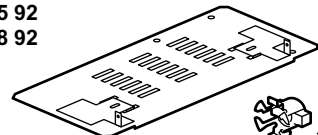
3b/4a

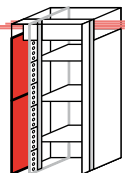


0 205 97/98/99



0 205 92  
0 208 92





2b/3b/4a

