

CONTENT	PAGES
1. GENERAL CHARACTERISTICS	1
2. RANGE	2
3. OVERALL DIMENSIONS	2
4. EQUIPEMENT	3
5. ACCESSORIES	5

1. GENERAL CHARACTERISTICS

Metal free-standing enclosures and cable compartments, that can be assembled and combined, constituted by combining a top-base assembly, structural supports, mounting supports, one plinth and rear and side panels, capacity: 24 modules (free-standing enclosure width 725 mm or 975 mm with internal cable compartment) to 36 modules (free-standing enclosure width 975 mm). Cable compartment width 475 mm. Colour RAL 7035

- 2 available heights : 2000, 2200
- Separation forms: up to 4b
- Increased safety level: up to IS 333
- Ingress protection against solids and liquids to standards IEC 60529 and NF EN 60529 :
 - IP 30 without door
 - IP 55 with door and sealing kit for coupling
- Mechanical impact rating to standards NF EN 50102 and NF C 20015 :
 - IK07 without door
 - IK08 with transparent door
 - IK10 with metal door
- Maximum current strength :4000A - 6300A
- Maximum tolerated surge intensity Icw and associated peak current Icw: up to 110 kA (with busbars 4000 A)
- Uimp: 12kV
Ue: 1000V
Ui: 1000V

1.1 Standard conformity

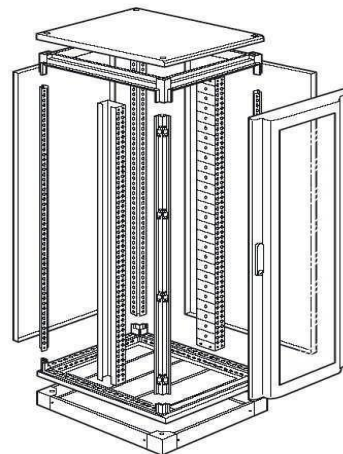
- Legrand cabinets and free-standing enclosures are designed in compliance with all the relevant international standards.

EN 60529	Degree of protection provided by enclosures (IP code)
NFC 20-015 NF EN 50102	Degree of protection provided by enclosures of electrical equipment against external mechanical impact (IK code)
CEI EN 61439-2 NF EN 61439-2	Low voltage switchgear and controlgear assemblies d'appareillage basse tension
NFC 20-015 NF EN 50102	Low voltage switchgear and controlgear assemblies

1.2 Frame

Assembly of steel plate elements :

- 4 vertical steel profiled mounting supports taking side and rear panels, and doors.
- one "roof-base" assembly
- one plinth



1.3 Outer housing

Removable steel rear and side panels

Dimension	Thickness
475 mm	12/10 mm
725 mm	12/10 mm
975 mm	15/10 mm

Combinable plinths: height 100 mm

Reversible steel plate doors 12/10 flat or curved, solid or transparent, supplied with handle. Can be mounted on front, rear or side. Barrels (to be ordered separately).

Faceplate in steel plate 12/10

1.4 Resistance to climatic conditions :

- Salt spray: 500 h
- Operating temperature: - 5°C to + 40°C
- Storage temperature: - 10°C to + 70°C

1.5 Fire resistance :

- Glow wire resistance 750°C to IEC 60695-2-1

1.6 Polyester coating characteristic

- Beige RAL 7035 epoxy polyester powder-coated paint coating thickness 50/70 µ.

-Chemical resistance :

- Good resistance to solvents, methyl alcohol, toluene and xylene.
- Film intact after one month's immersion at ambient temperature in the following aqueous solutions :

Standard detergent 1%

Sodium chloride 10%

Citric acid 1%

Phosphoric acid 5%

2. RANGE

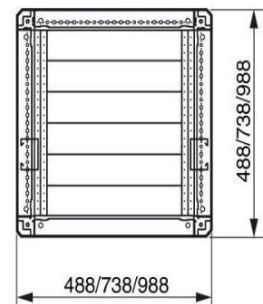
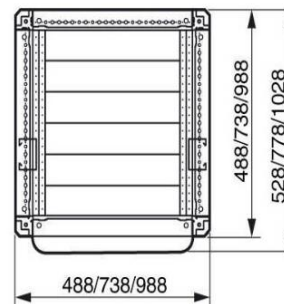
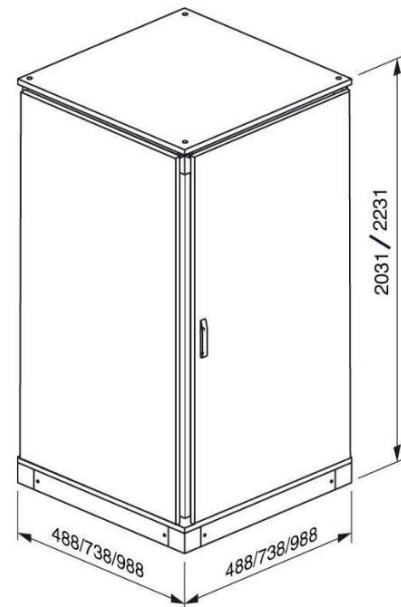
2.1 Enclosures

Height mm	Inside Height mm	Width mm	Inside Width mm	Depth mm	Roof-base Cat. No.
2200/2000	2000/1800	725	600	475	0 205 04
2200/2000	2000/1800	725	600	725	0 205 05
2200/2000	2000/1800	725	600	975	0 205 06
2200/2000	2000/1800	975	850	475	0 205 07
2200/2000	2000/1800	975	850	725	0 205 08
2200/2000	2000/1800	975	850	975	0 205 09

2.2 Cable compartments

Height mm	Inside Height mm	Width mm	Inside Width mm	Depth mm	Roof-base Cat. No.
2200/2000	2000/1800	475	350	475	0 205 01
2200/2000	2000/1800	475	350	725	0 205 02
2200/2000	2000/1800	475	350	975	0 205 03

3. OVERALL DIMENSIONS

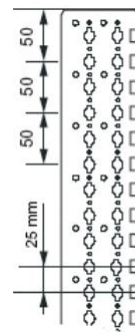


Passthrough

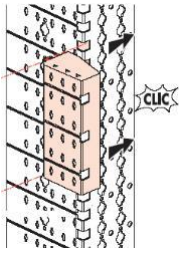
Mounting supports

Steel profiled mounting supports with alternating perforations

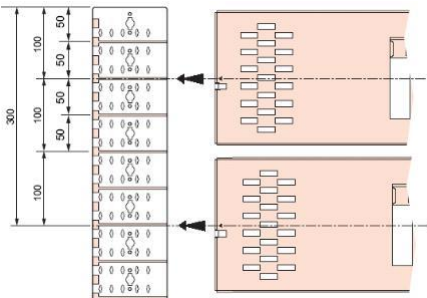
Perforated at 25 mm intervals for fixing clip nuts



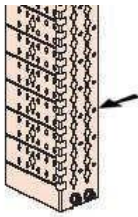
Perforated at 25 mm intervals for fixing mounting support rail spacers



Grooves at 50 mm intervals for securing adjustable fixing plates



Perforated at 25 mm intervals (diameter 4.5 mm) for fixing self-tapping screws



4. EQUIPEMENT

Mounting supports

Height	Reduced for encl 475 mm depth	Enclosure w/out cable sleeves	Enclosure with cable sleeves
2000	0 205 12	0 205 13	0 205 16
2200	0 208 52	0 208 53	0 208 54

Support frame for faceplates

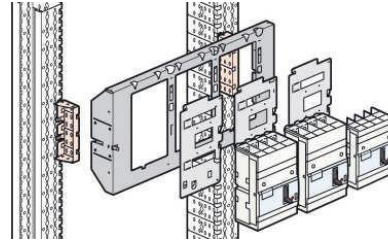
Height	Width 725 mm or 975 mm w/out cable sleeves	Width 975 mm with cable sleeves
2000	0 205 58	0 205 59
2200	0 208 55	0 208 56

Pivoting support frame for faceplate

Height	Width 725 mm	Width 975 mm without cable sleeves	Width 975 mm with cable sleeves
2000	0 205 68	0 205 69	0 205 79
2200			

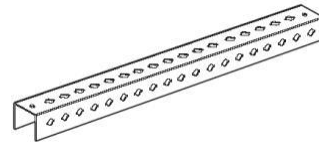
Spacer for mounting supports

Cat. No.0 207 50 for DPX assembly in vertical position on fixing devices or adjustable plates



Crosspieces

Mounting on structure supports for making an internal cable compartment. The adjustable crosspieces are dedicated to the busbar supports



Fixed	Adjustable	Length
0 205 21	0 205 51	350
0 205 22	0 205 52	600
0 205 23	0 205 53	850

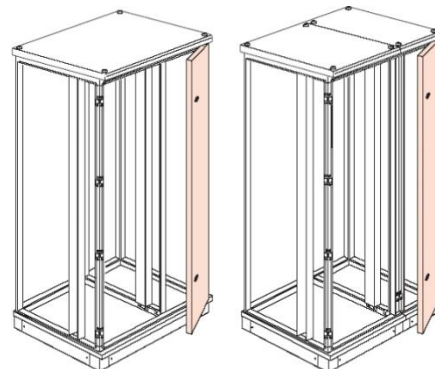
Fixed crosspieces for partial chassis

Allow to fix the trimmed equipment mounting supports

Fixed	Length
0 205 31	350
0 205 32	600

Front for cable compartment

Height	Internal cable compartment	External cable compartment
2000	0 205 47	0 205 48
2200	0 208 66	0 208 67

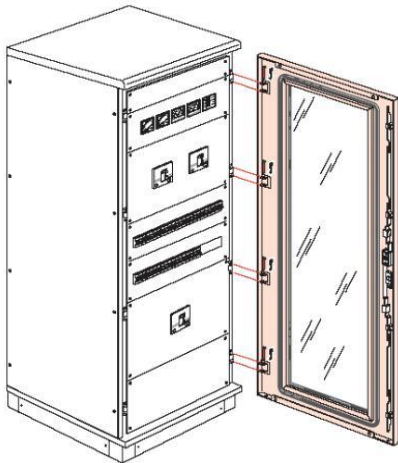


Reversible doors

Supplied with handle. Interchangeable barrel (to be ordered separately).

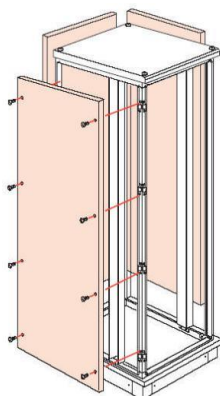
Can be mounted on front, rear or side

Width mm	Metal	Transp.	Flat	Curved	Cat. No. H 2000	Cat. No. H2200
475	X		X		0 205 71	0 208 65
725	X			X	0 205 54	0 208 61
725		X		X	0 205 64	0 208 63
725	X		X		0 205 74	
725		X	X		0 205 84	
975	X			X	0 205 57	0 208 62
975		X		X	0 205 67	0 208 64
975	X		X		0 205 77	
975		X	X		0 205 87	



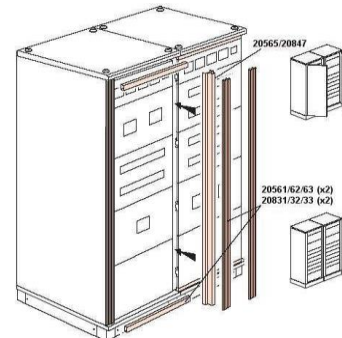
Rear and side panels

Heigh mm	Width 475 mm	Width 725 mm	Width 975 mm
2000	0 205 41	0 205 42	0 205 43
2200	0 208 57	0 208 58	0 208 59



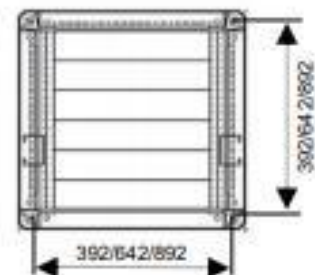
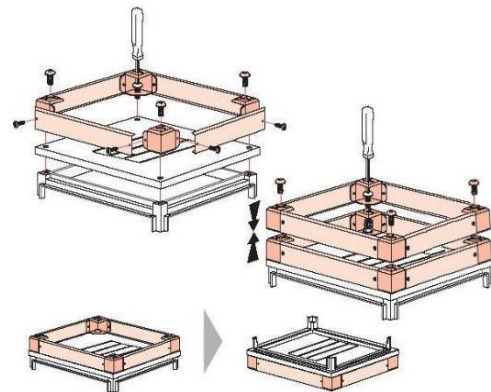
Outer housing IP 30 / IP 55

Heigh mm	IP 30	IP 55	Heigh mm	IP 30
	Width 475 mm	Width 725 mm	Largeur 975 mm	Width 475 mm
2000	0 205 61	0 205 62	0 205 63	0 205 65
2200	0 208 31	0 208 32	0 208 33	0 208 47



Combinable plinths (height 100 mm)

- Cat. No. 0 205 11 475 x 475
- Cat. No. 0 205 14 725 x 475
- Cat. No. 0 205 15 725 x 725
- Cat. No. 0 205 11 975 x 475
- Cat. No. 0 205 14 975 x 725
- Cat. No. 0 205 15 975 x 975



5. ACCESSORIES

Coupling

- Cat. No. 0 205 86 Screws for structure coupling
- Cat. No. 0 205 88 Set of 2 L-shaped plates
- Cat. No. 0 205 89 Set of 2 flat plates
- Cat. No. 0 205 85 IP 55 sealing kit
- Cat. No. 0 205 10 Kit for plinth coupling

Lifting rings

- Cat. No. 0 205 82 Set of 4 rings

Natural ventilation

- Cat. No. 0 205 44 ventilation panel for plinth width 725
- Cat. No. 0 205 45 ventilation panel for plinth width 975
- Cat. No. 0 205 46 spacer for raising top

Lighting

- Cat. No. 0 209 89 lighting kit

Universal rails

- Fixed on the mounting supports
- Cat. No. 0 205 04 width 600 mm 24 modules
- Cat. No. 0 205 54 width 850 mm 36 modules

Adjustable, universal mounting devices

- Fix onto mounting supports
- Cat. No. 0 206 02 for free-standing enclosures, 24 modules
- Cat. No. 0 206 52 for free-standing enclosures, 36 modules

- Wire guide

- Mounting support for Lina 25™ cable ducting
- Allows horizontal and vertical mounting and height adjustment, fixes onto mounting supports
- Cat. No. 0 204 70 set of 2 for free-standing enclosures, 36 modules
- Cat. No. 0 205 70 set of 2 for free-standing enclosures, 24 modules

Lina 25™ cable ducting

- Cat. No. 0 362 07 40 mm x 60 mm Length 2 m
- Cat. No. 0 362 08 40 mm x 80 mm Length 2 m
- Cat. No. 0 362 12 60 mm x 60 mm Length 2 m
- Cat. No. 0 362 13 60 mm x 80 mm Length 2 m
- Cat. No. 0 366 46 insulating rivet

Wire guides

- Wire mounting support
- Cat. No. 0 204 35 for free-standing enclosures, 24 modules
- Cat. No. 0 204 36 for free-standing enclosures, 36 modules

Universal support for cable compartments

- Allows mounting terminal strips, earth terminals, etc.
- Cat. No. 0 201 95 set of 3 metal supports

Clip nuts

- turn front mount on mounting supports
- Cat. No. 0 200 92 bag of 20 clip nuts for M6 screws
- Cat. No. 0 200 91 bag of 50 M6 screws

-Hinges

- Fix onto screw faceplates
- Cat. No. 0 209 59 set of 2 hinges

Blank

- For metal or insulated faceplates
- Cat. No. 0 200 51 Cutaway 24-module blanking plate
- Cat. No. 0 016 65 18 modules, separation possible by module or module

Clip-on adhesive label holder

- Cat. No. 0 203 99 supplied with label plate for marking rows on faceplates

Vertical separation kit

- Cat. No. 0 205 33 for free-standing enclosure, depth 475 mm
- Cat. No. 0 205 34 for free-standing enclosure, depth 725 mm

Horizontal separation kit

- Cat. No. 0 205 36 for free-standing enclosure, depth 725 mm
- Cat. No. 0 205 37 for free-standing enclosure, depth 975 mm

Supports

- Cat. No. 0 205 20 Intermediate structural support

Mounting supports with pivoting faceplate supports

- Cat. No. 0 205 25 for free-standing enclosure without internal cable compartment
- Cat. No. 0 205 26 for free-standing enclosure with internal cable compartment

Plain plate

- Supplied with sliding rail for depth adjustment
- Cat. No. 0 205 40 height 1800 mm width 600 mm

Door accessories

- Key barrels and knockout for metal or transparent doors, with 2 keys
- Cat. No. 0 202 91 Type 405
- Cat. No. 0 202 92 Type 455
- Cat. No. 0 202 93 Type 1242E
- Cat. No. 0 202 94 Type 2433A
- Cat. No. 0 202 96 Double bar knockout
- Adhesive transparent document holder
- Cat. No. 0 097 99 Flexible plastic A4
- Cat. No. 0 365 82 Rigid plastic IP 50
- Connection for protective conductors

Cat. No. 0 048 19 Flat bar 12 x 2 for IP2x terminal blocks
Cat. No. 0 373 01 Holed bar
Cat. No. 0 373 02 Stirrup bar
Cat. No. 0 373 49 Copper bar 12 x 4
Cat. No. 0 373 89 Copper bar 12 x 4 with M 5 tapped holes
Cat. No. 0 393 99 Support for bars Cat. No(s) 0 373 01/02/89 and bar
Cat. No. 0 048 19
Cat. No. 0 373 60 Connector for conductor 1.5 mm
Cat. No. 0 373 61 Connector for conductor 6 to 16 mm
Cat. No. 0 373 62 Connector for conductor 10 to 35 mm
Cat. No. 0 373 65 Connector for bar 12 x 4 with tapped holes
Cat. No. 0 373 85 Equipotential conductor cable 6 mm

- Paint

Cat. No. 0 200 98 Paint spray RAL 7035