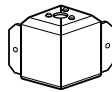
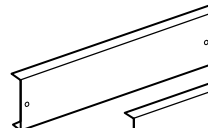


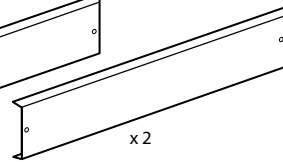
0 205 11/14/15/17/18/19



x 4



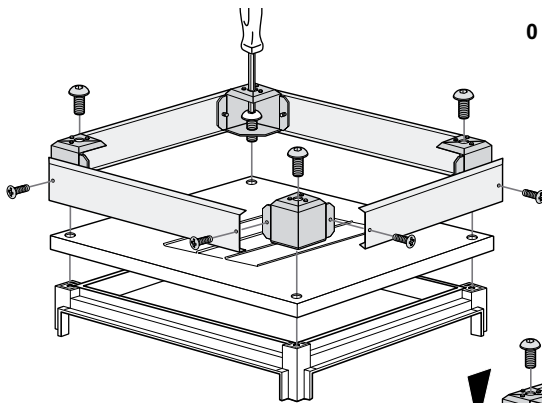
x 2



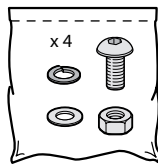
x 2



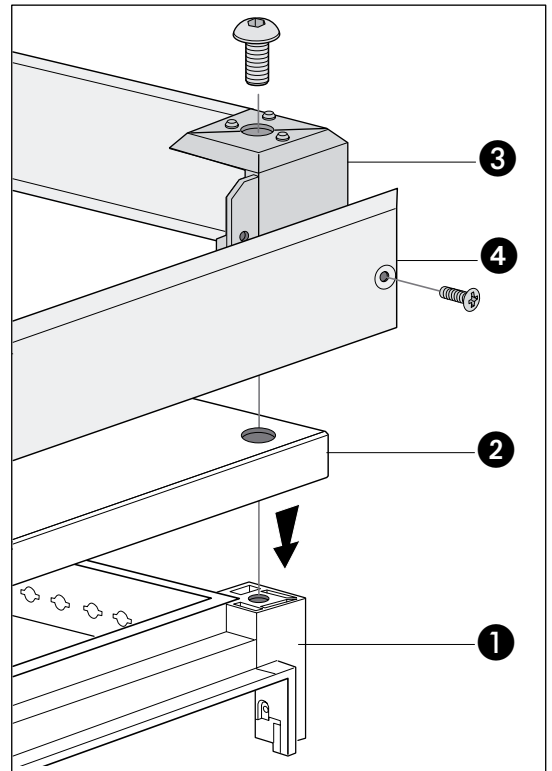
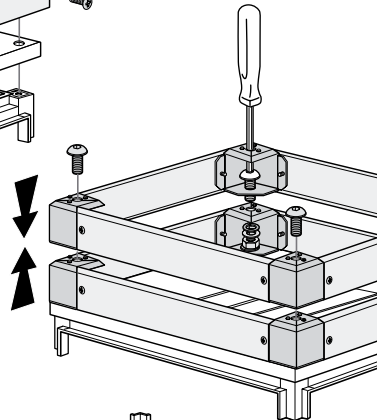
x 8



0 205 10



x 4

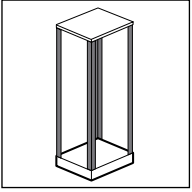


3

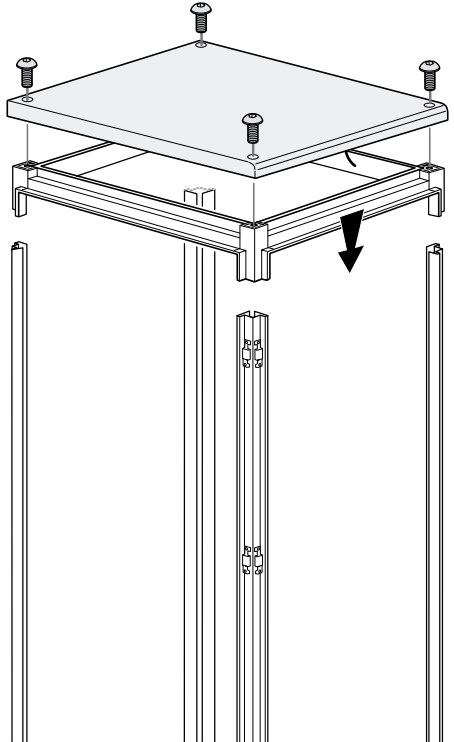
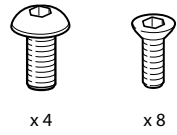
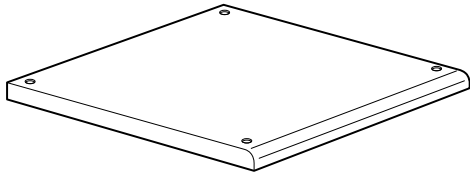
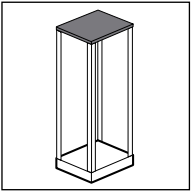
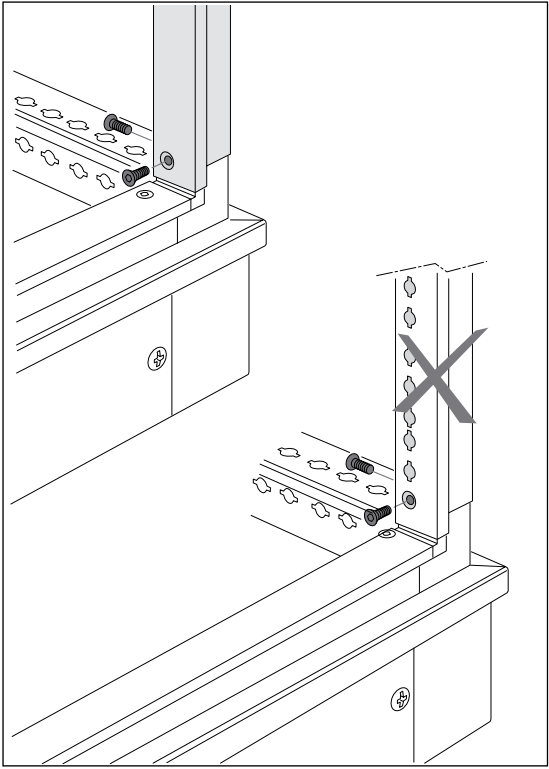
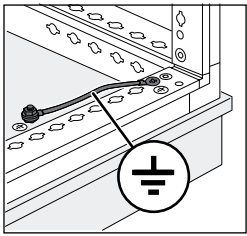
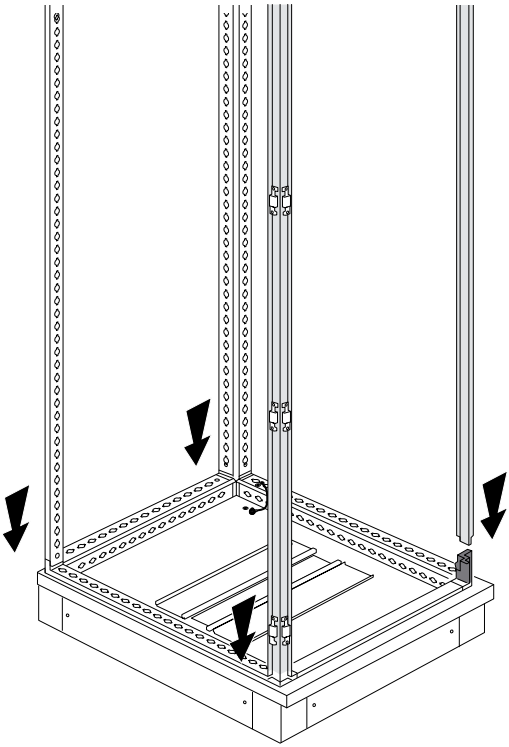
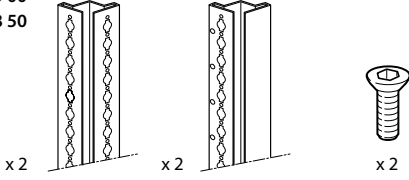
4

2

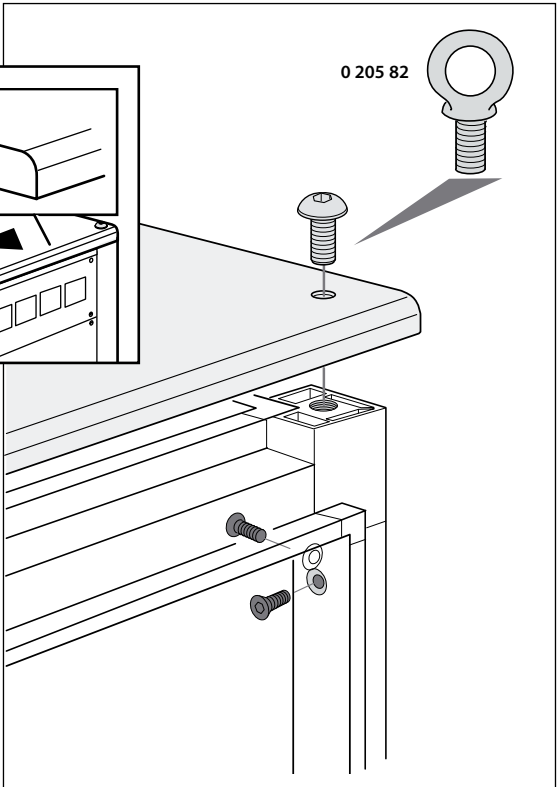
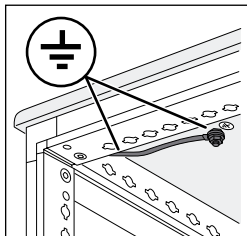
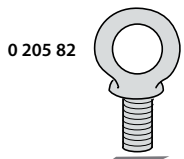
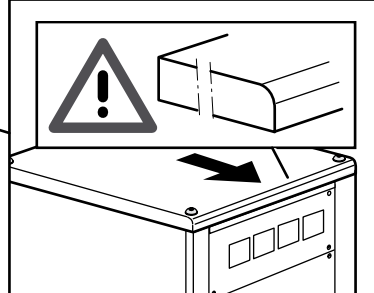
1

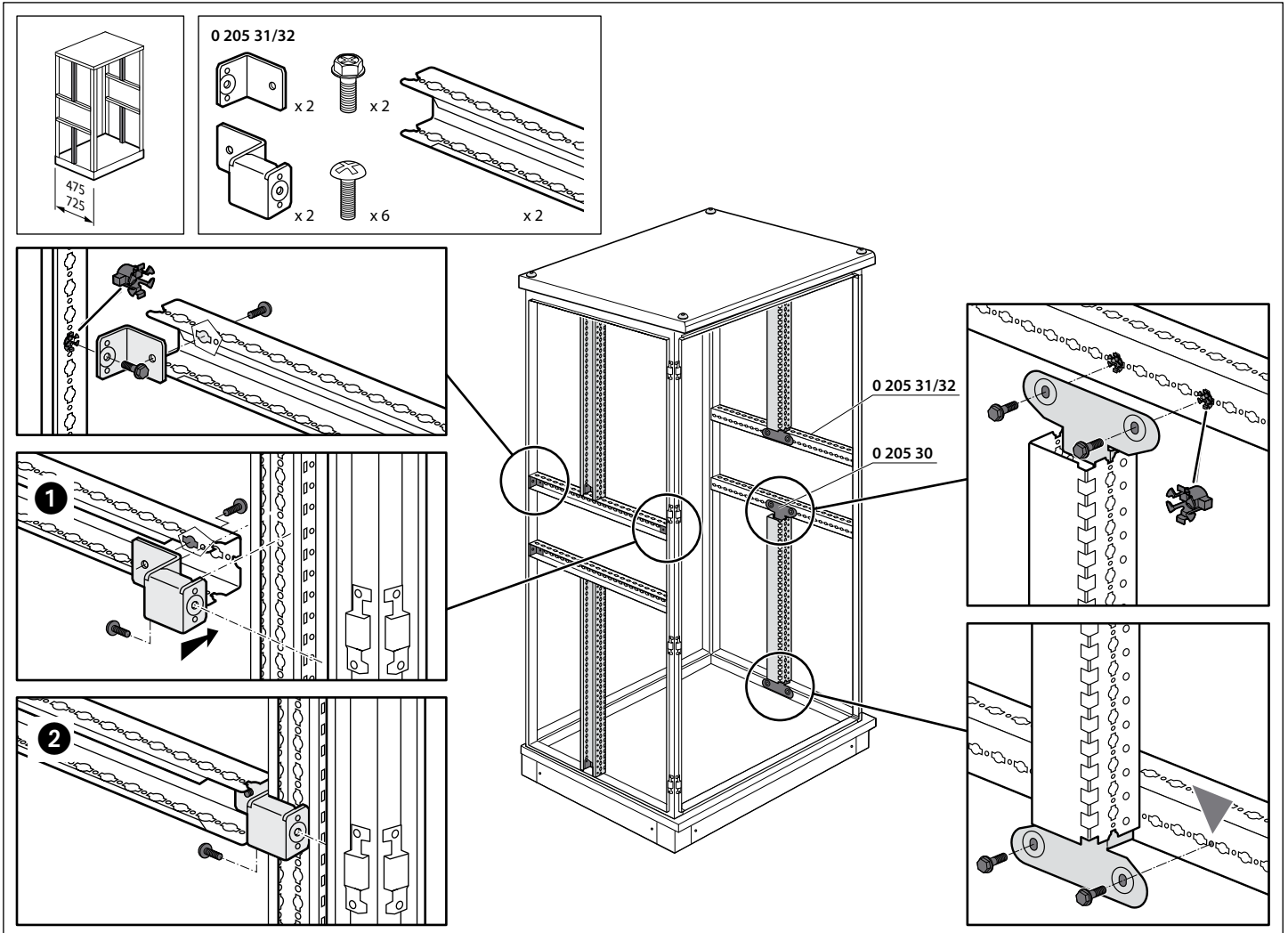
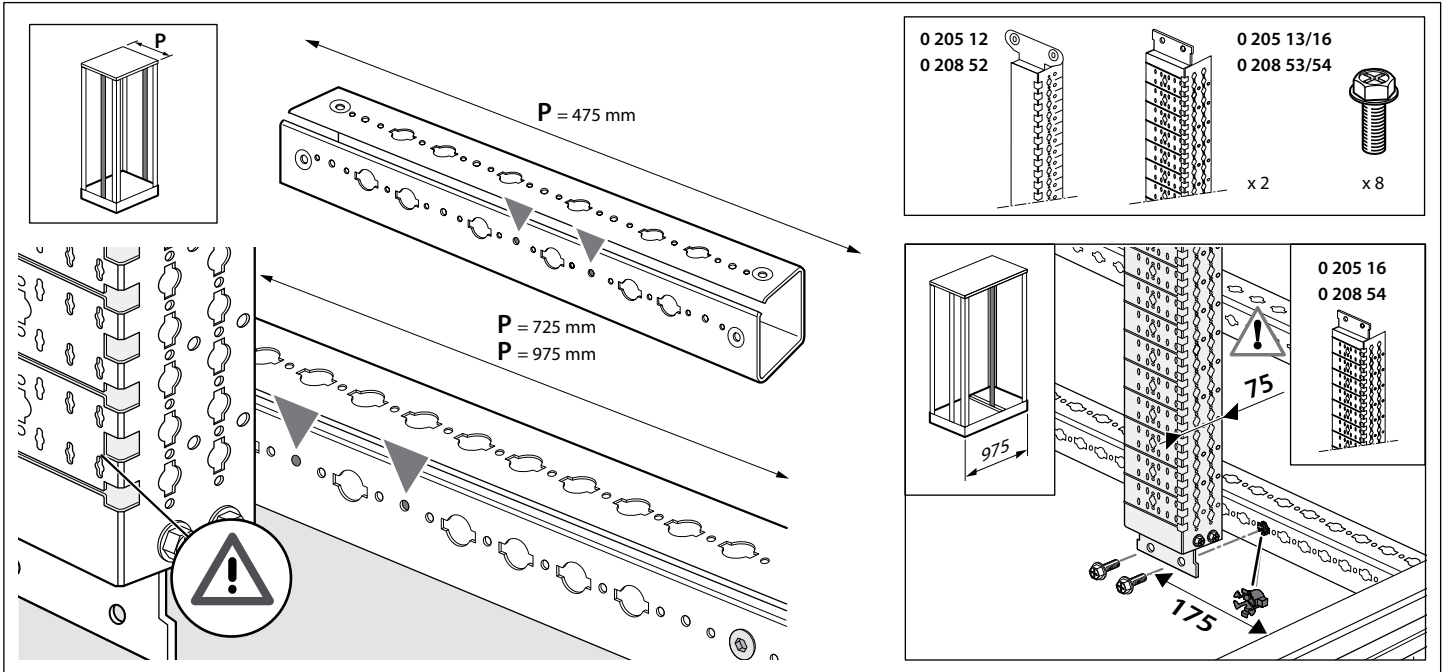
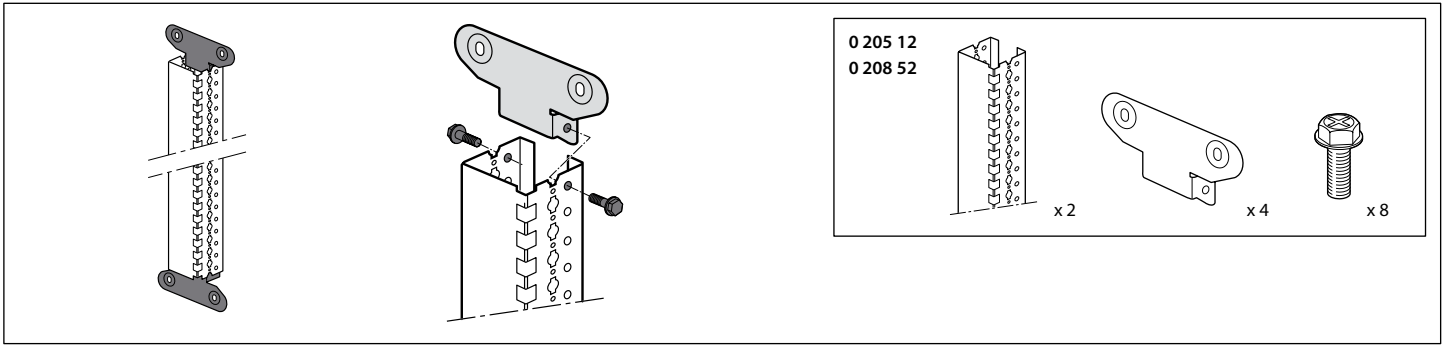


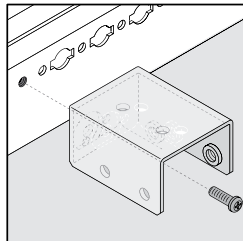
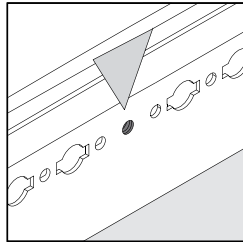
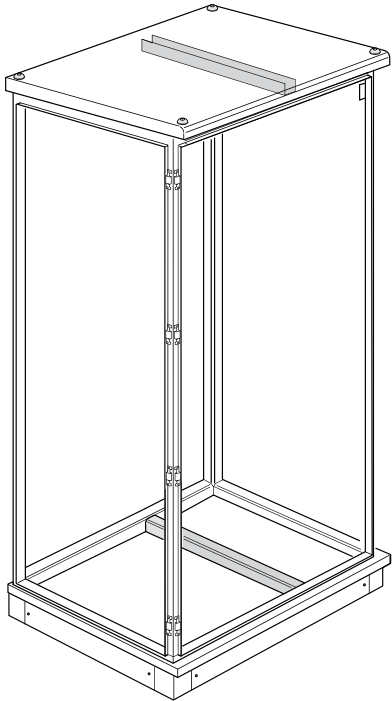
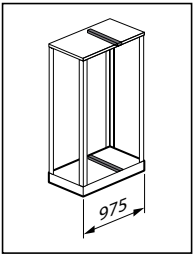
0 205 00
0 208 50



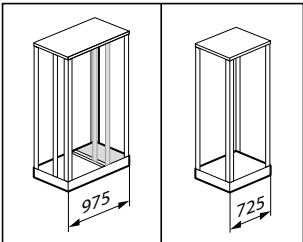
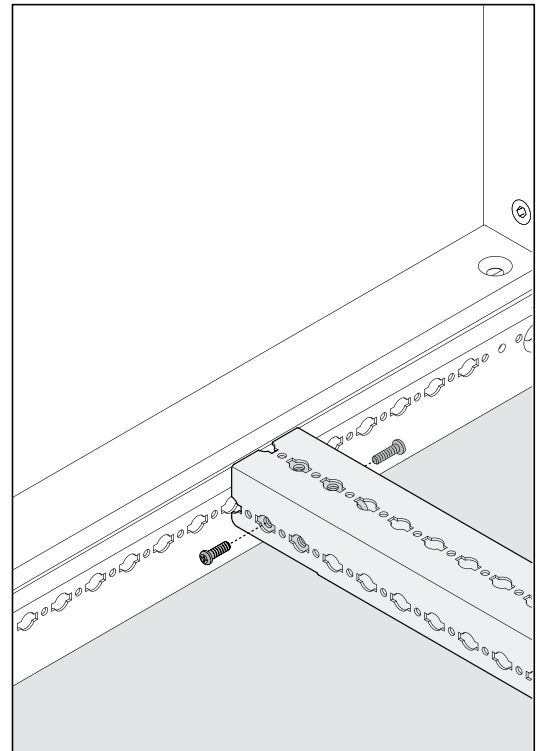
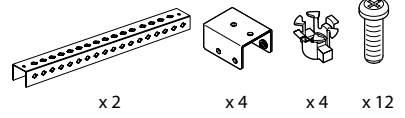
2
1



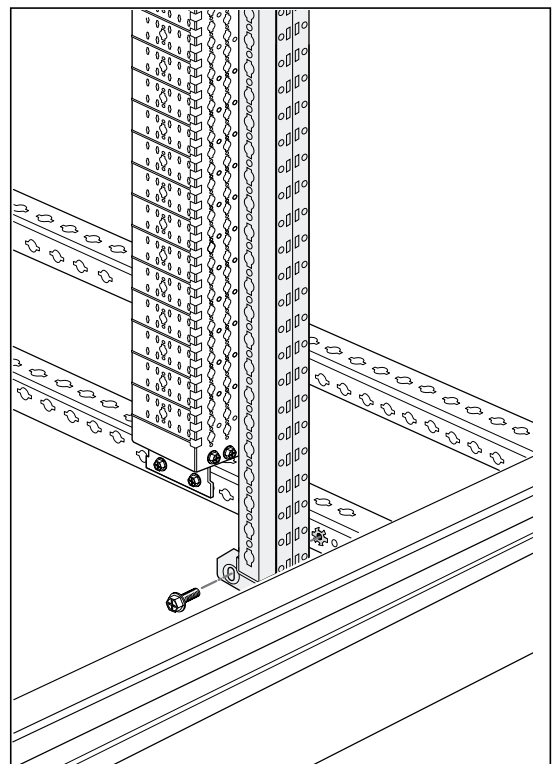
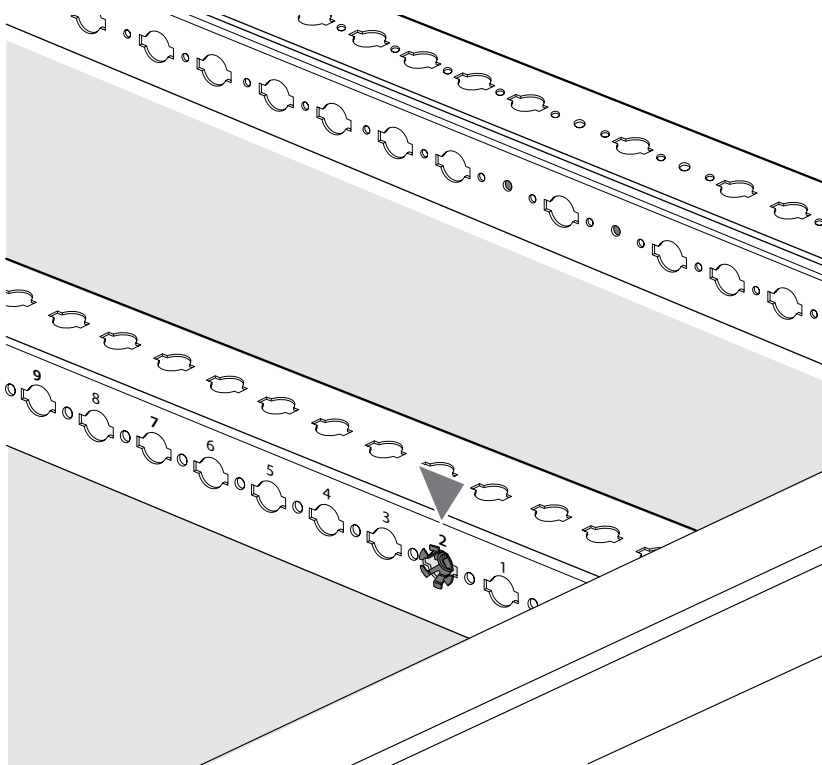
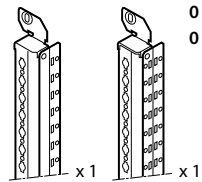
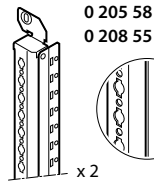
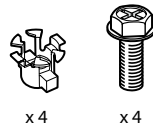


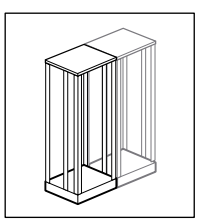


0 205 21/22/23

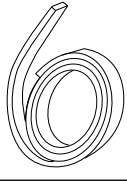


0 205 58/59
0 208 55/56



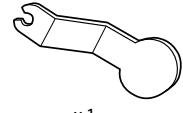


0 205 85



IP 55

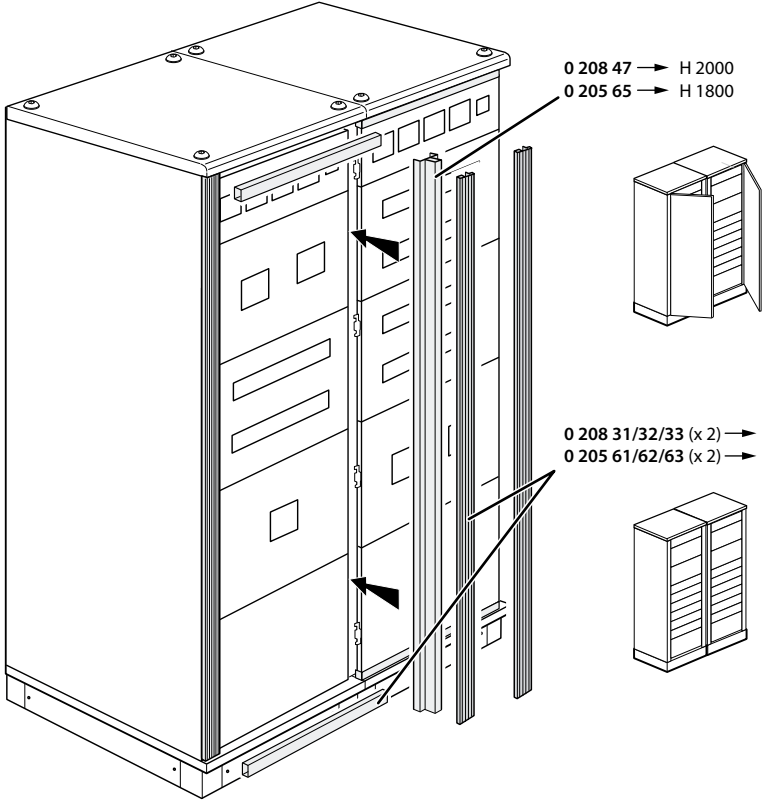
0 205 86



x 1

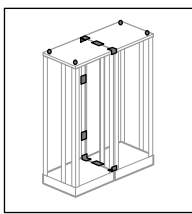
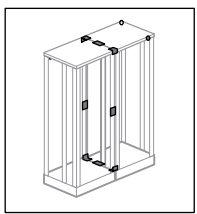
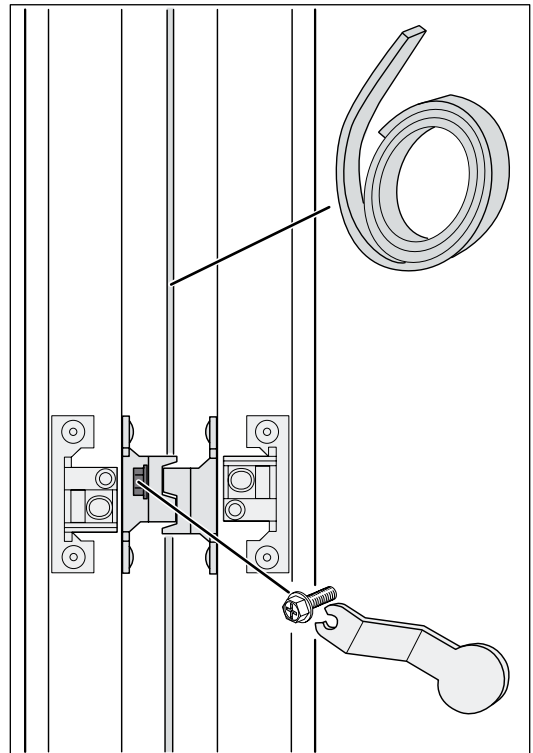


x 8



0 208 47 → H 2000
0 205 65 → H 1800

0 208 31/32/33 (x 2) → H 2000
0 205 61/62/63 (x 2) → H 1800



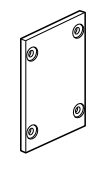
0 205 89



x 8



x 8



x 2

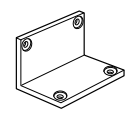
0 205 88



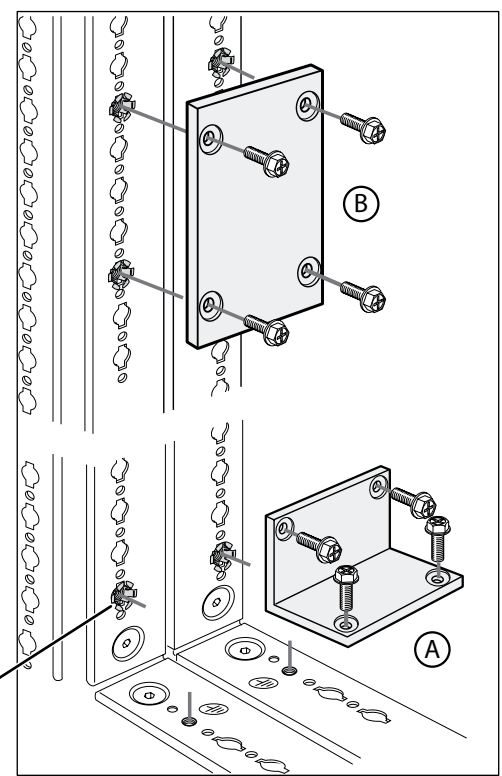
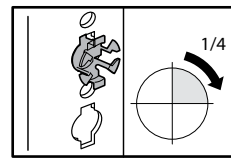
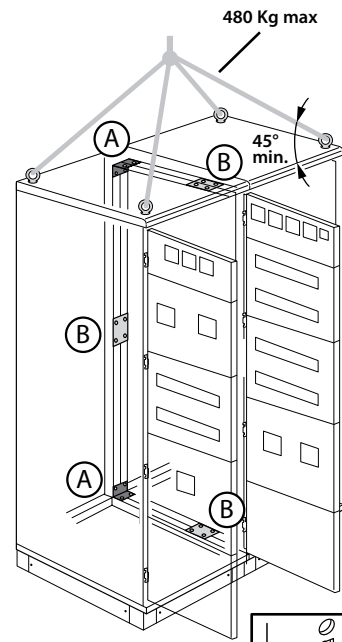
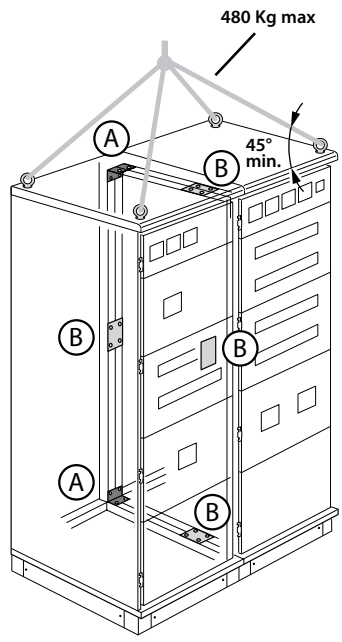
x 8

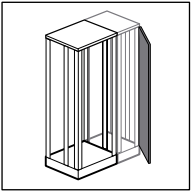


x 8



x 2





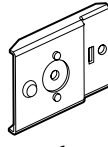
0 205 48
0 208 67



x 6



x 6



x 6



x 1



x 4



x 2

