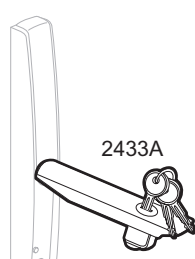
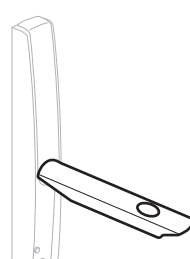


0 347 74

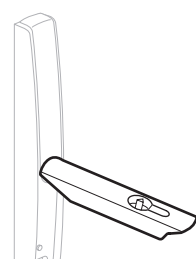


0 347 72

2433A



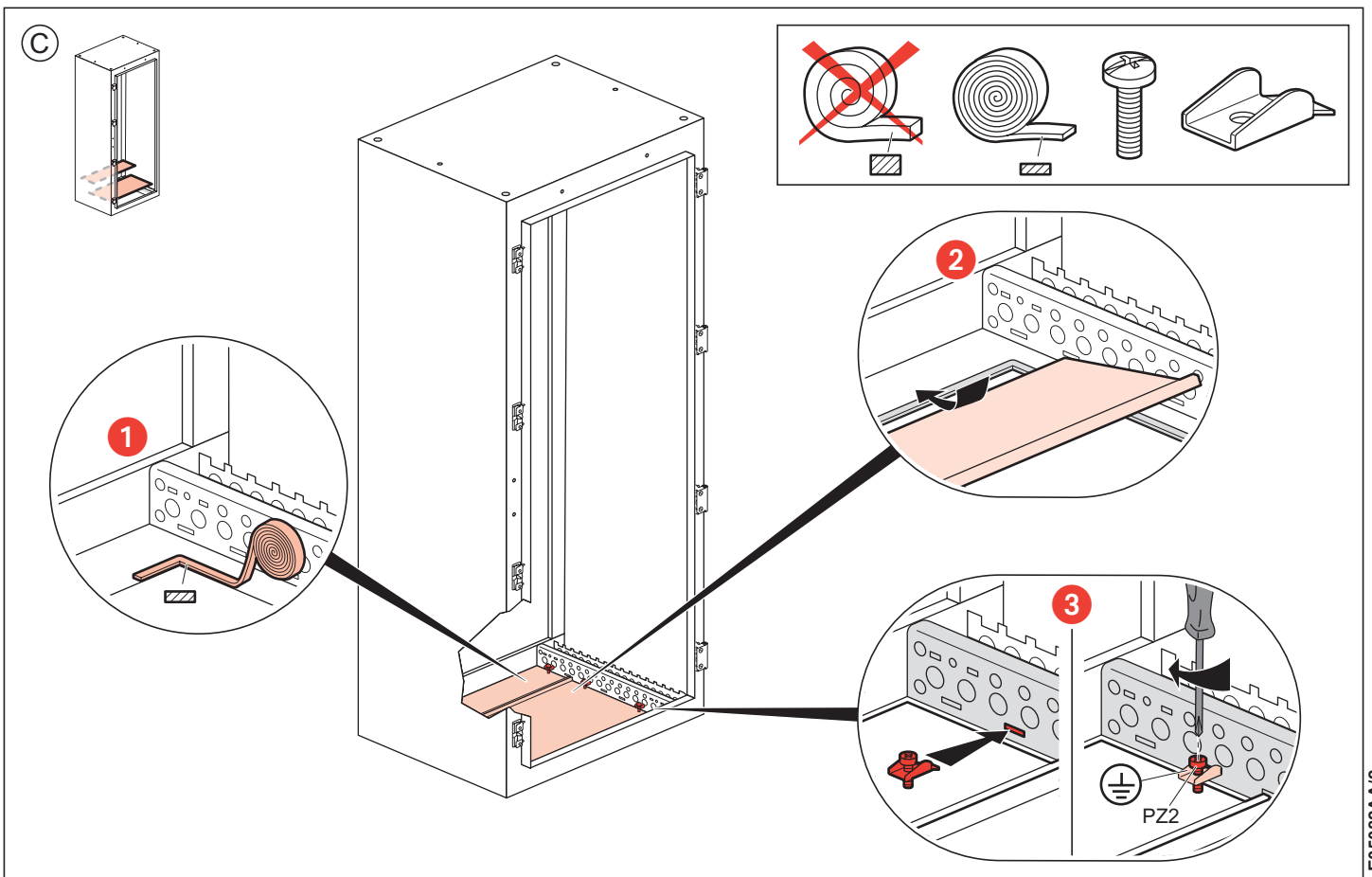
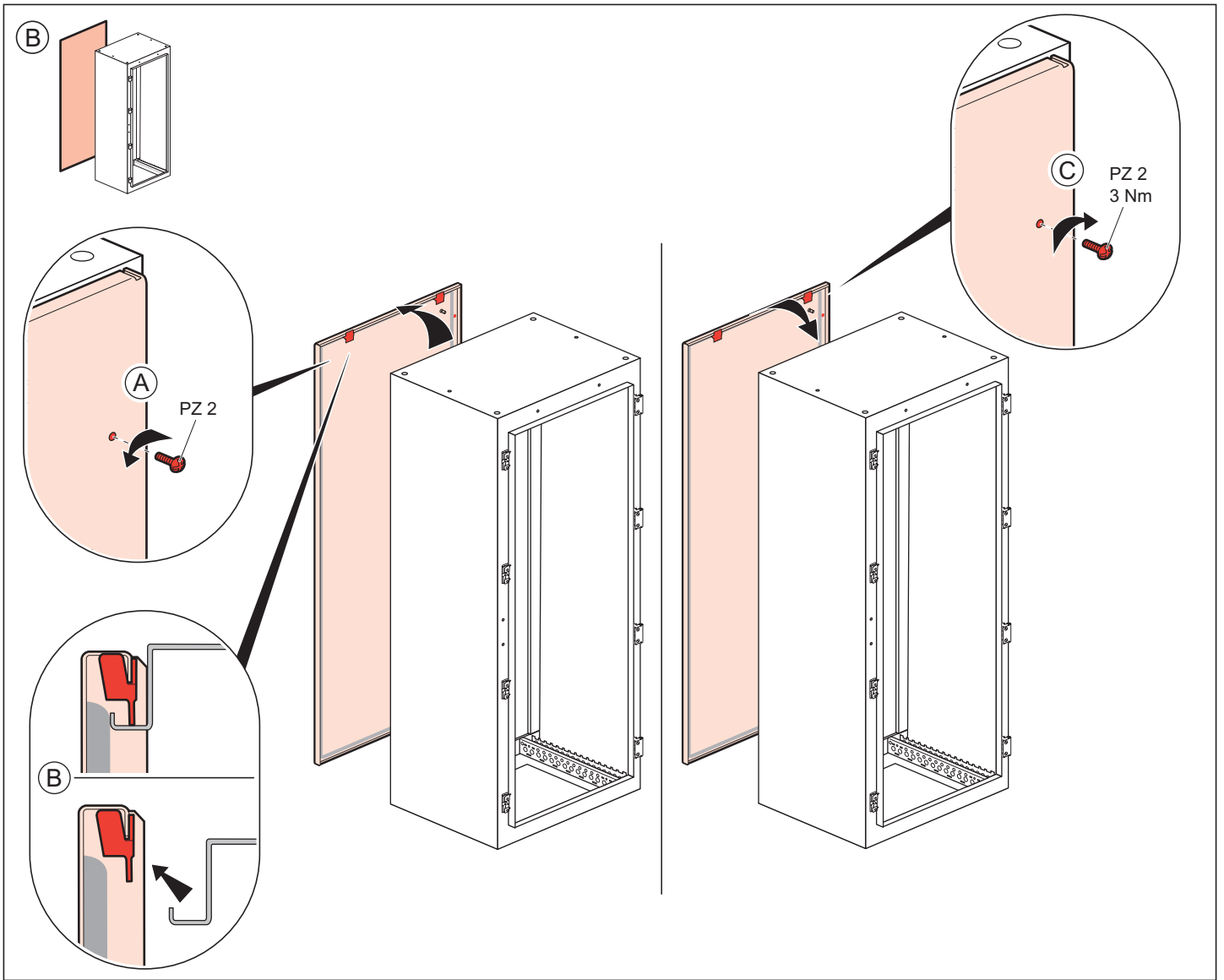
0 347 71

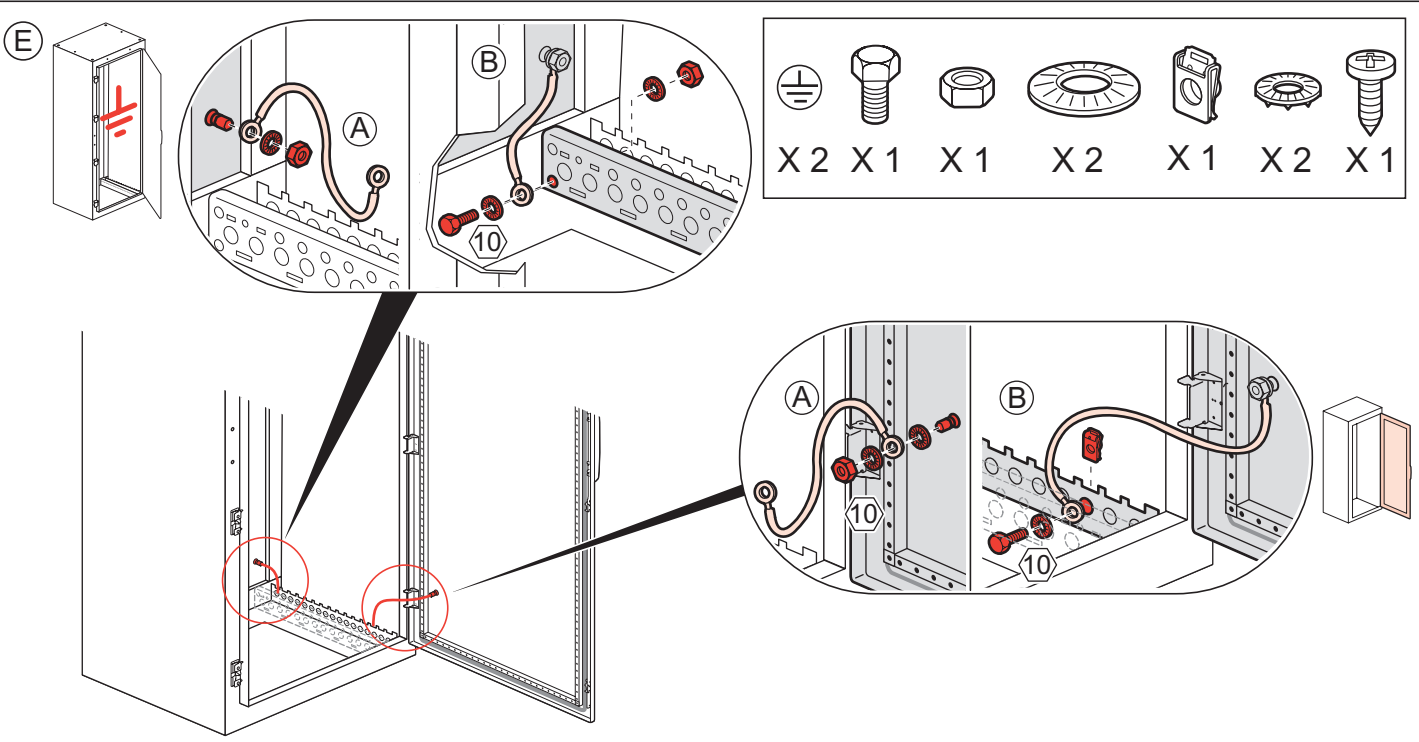
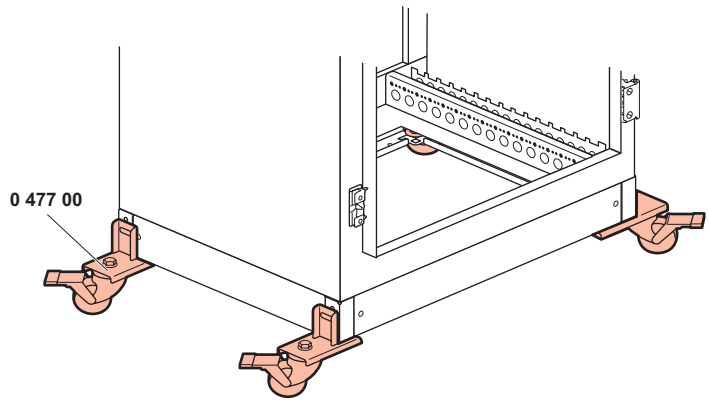
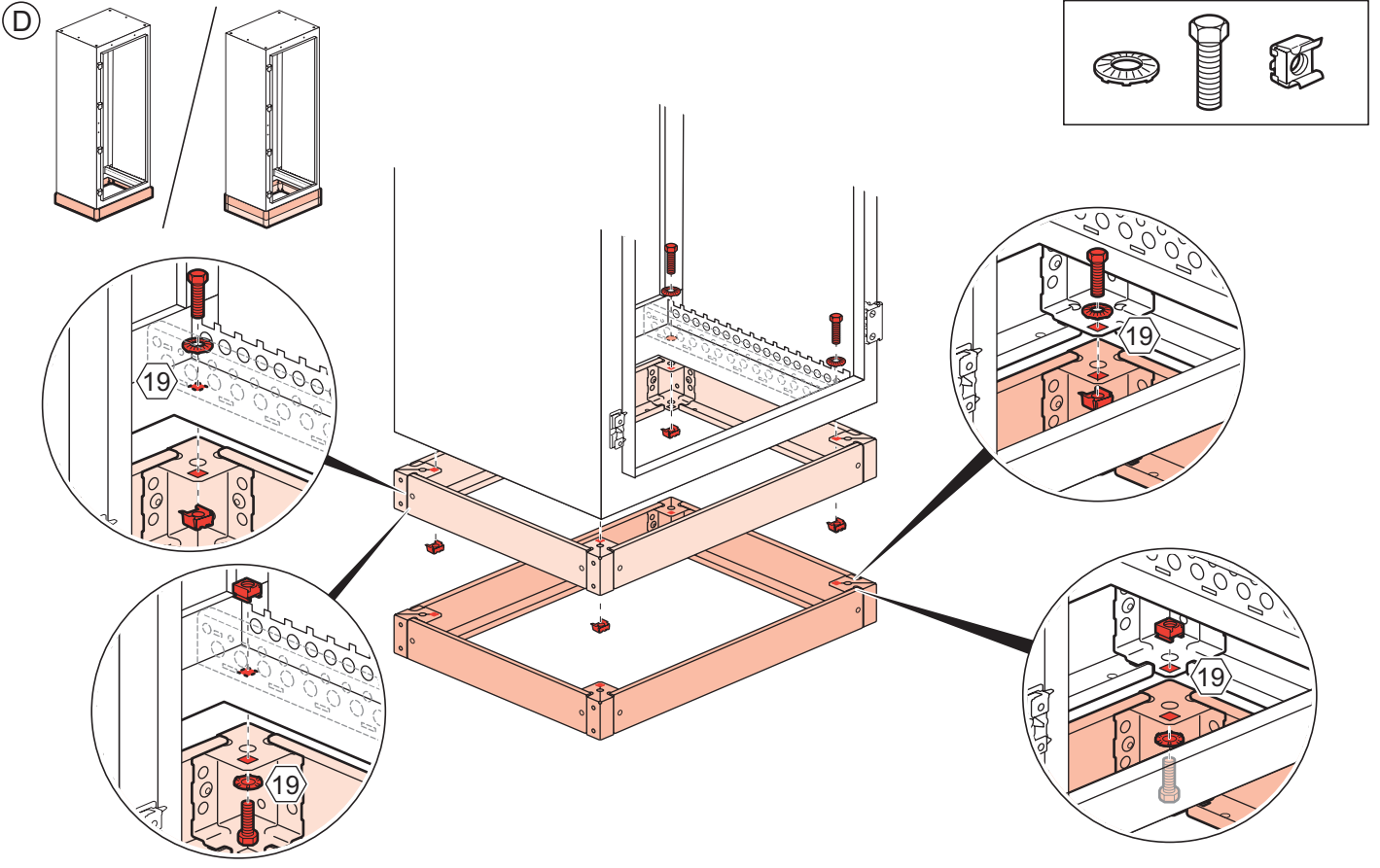


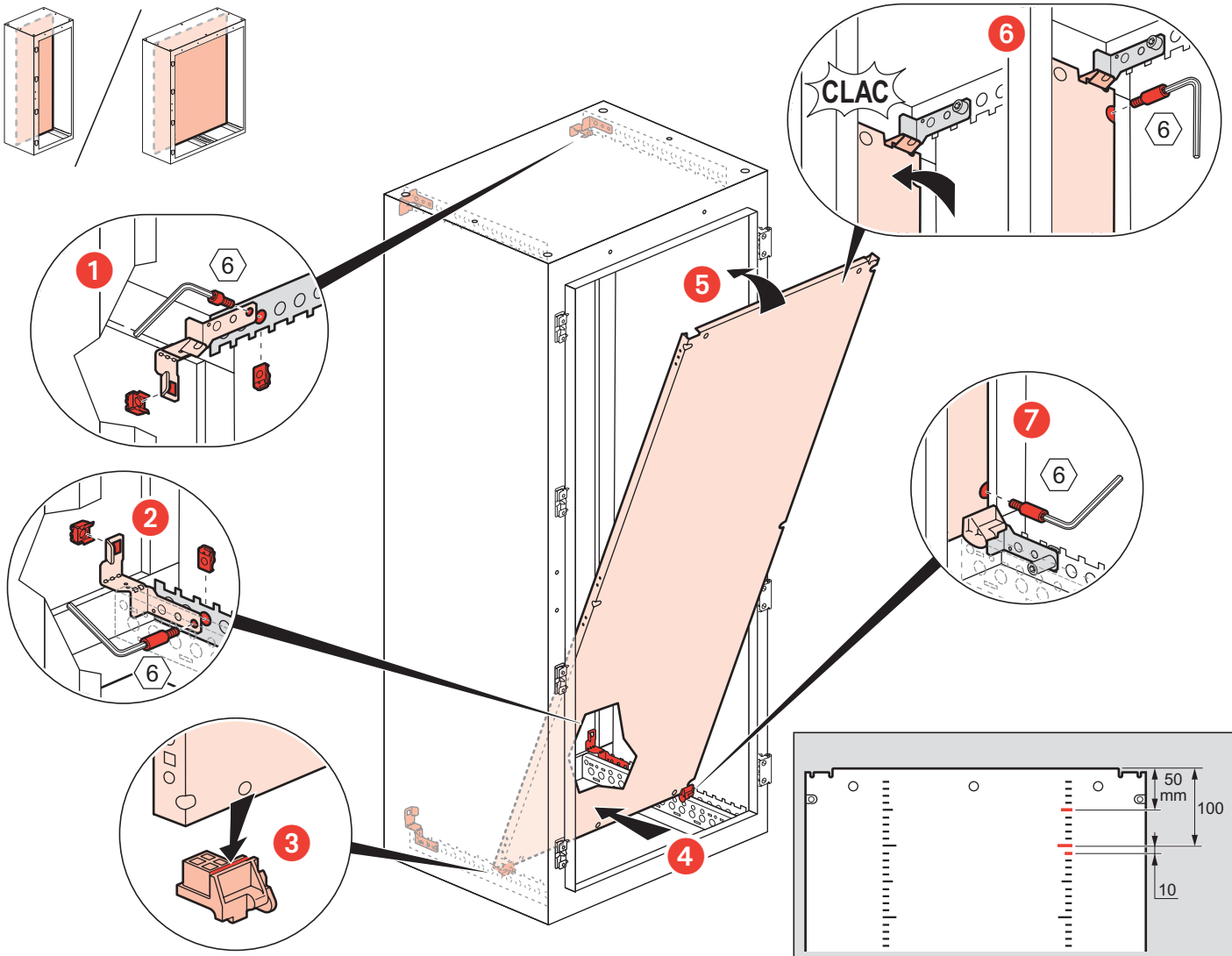
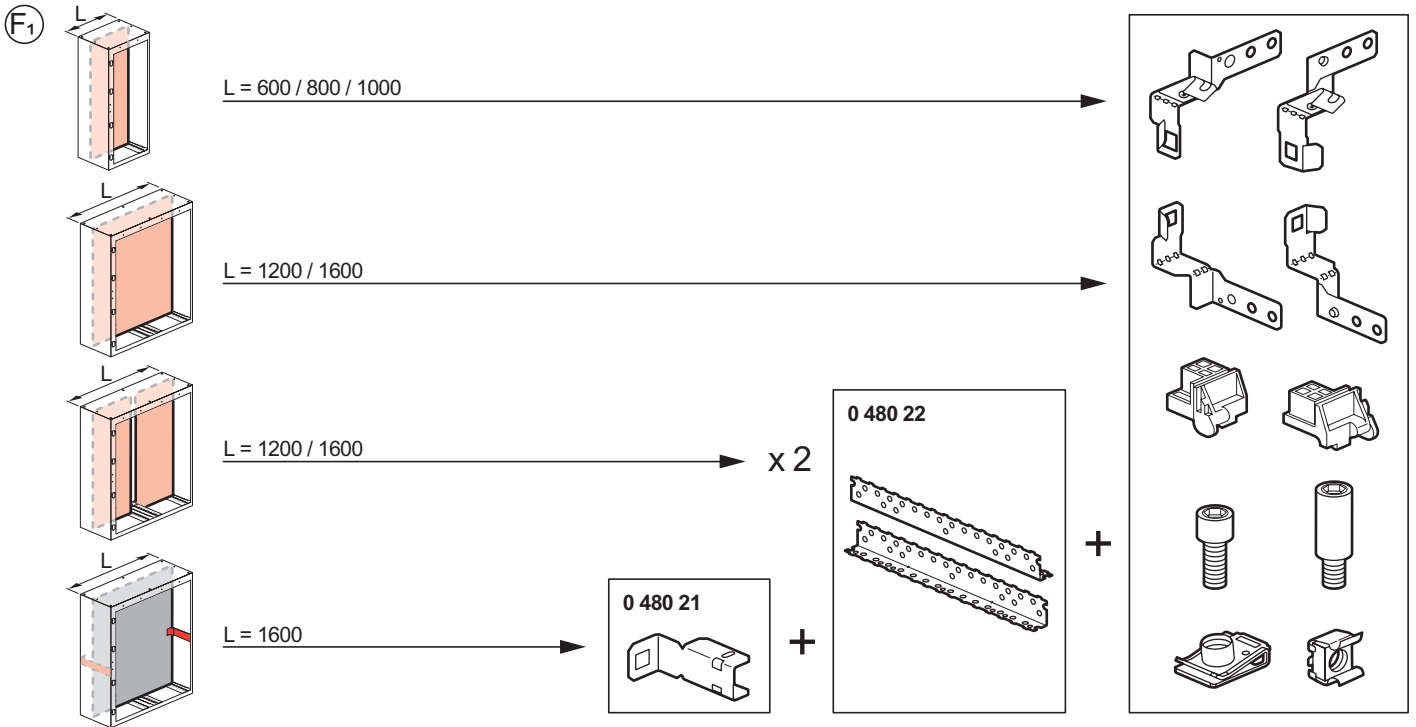
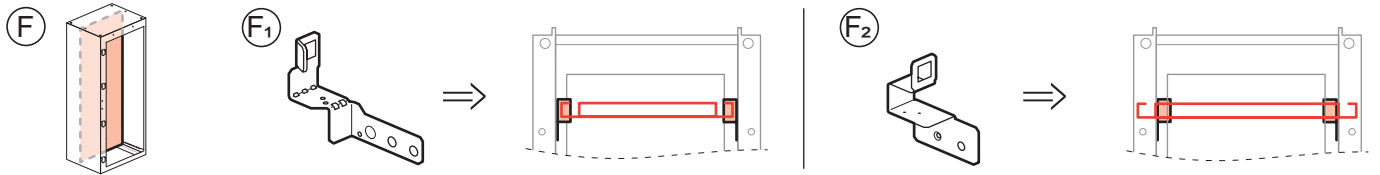
0 347 73



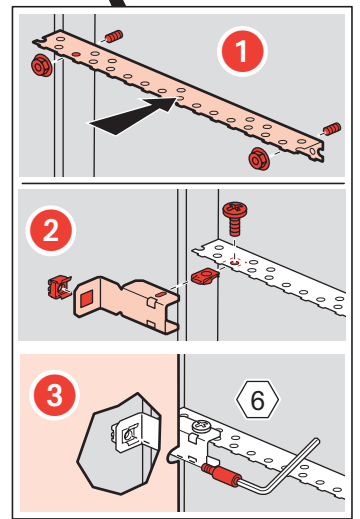
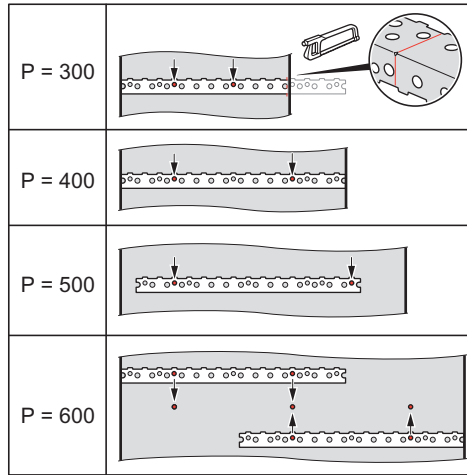
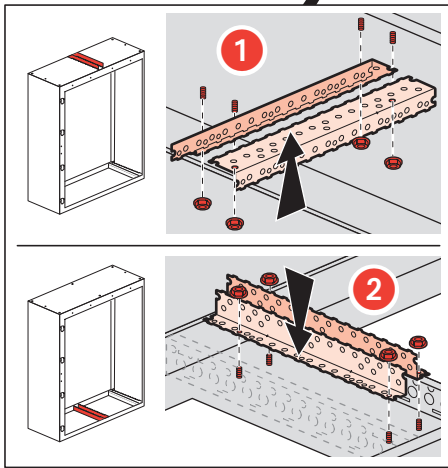
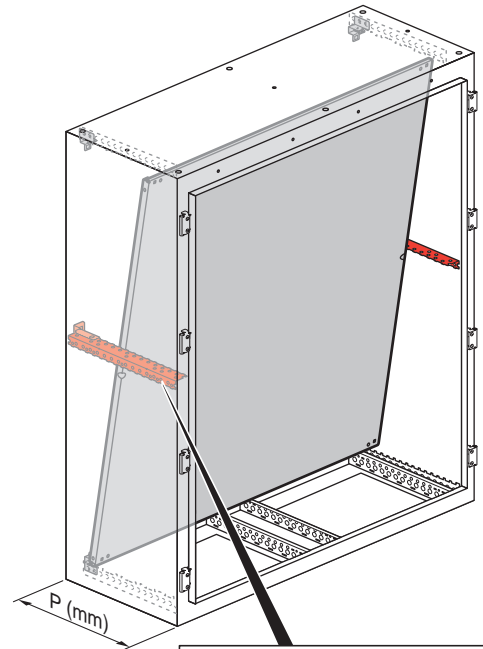
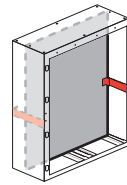
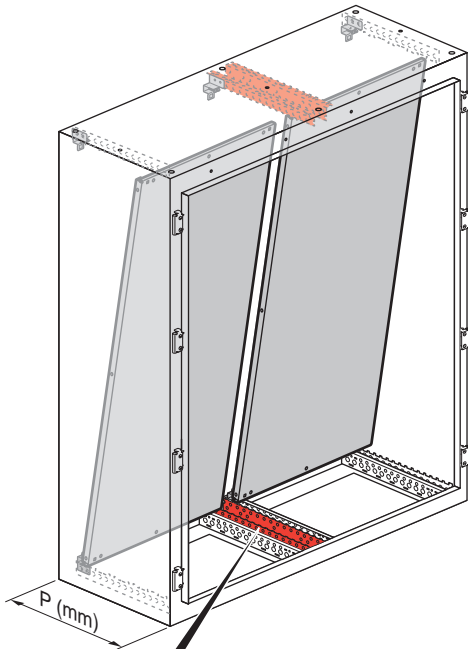
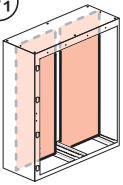
0 347 75



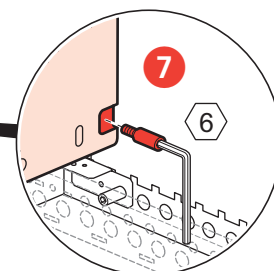
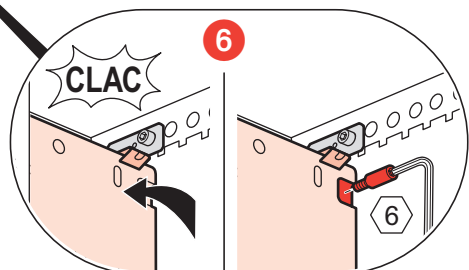
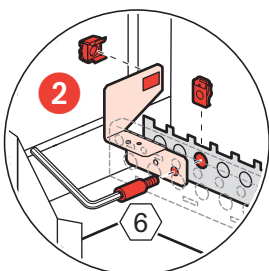
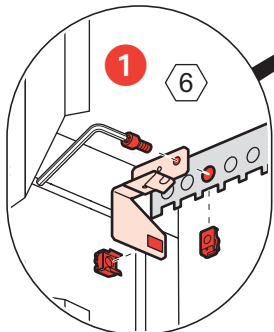
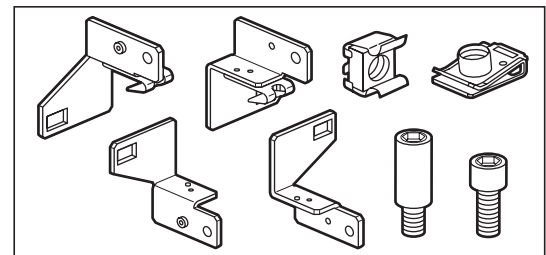
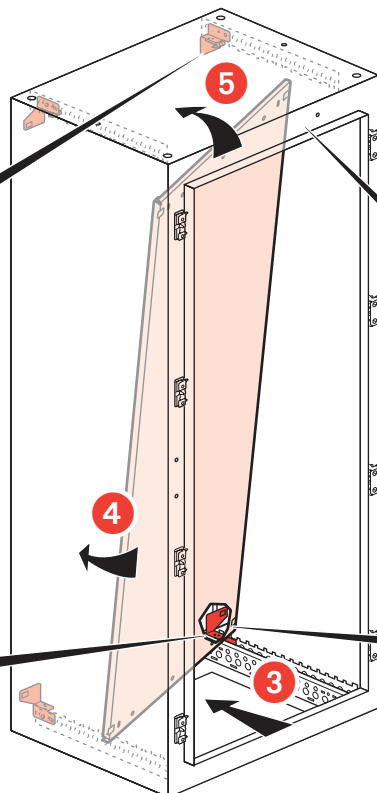
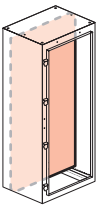




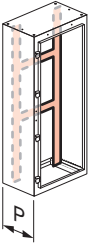
F₁



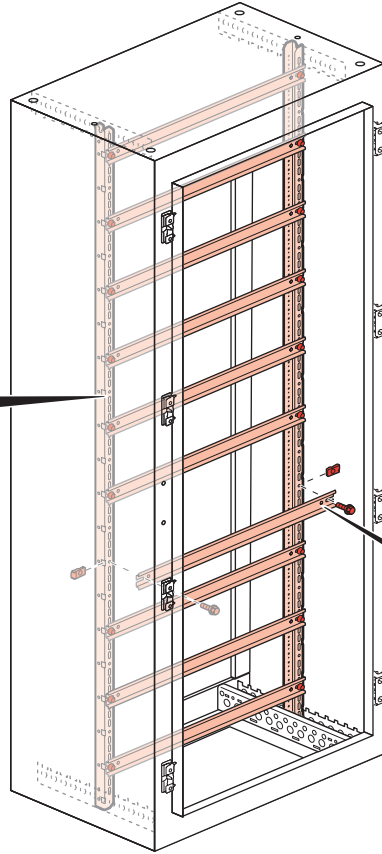
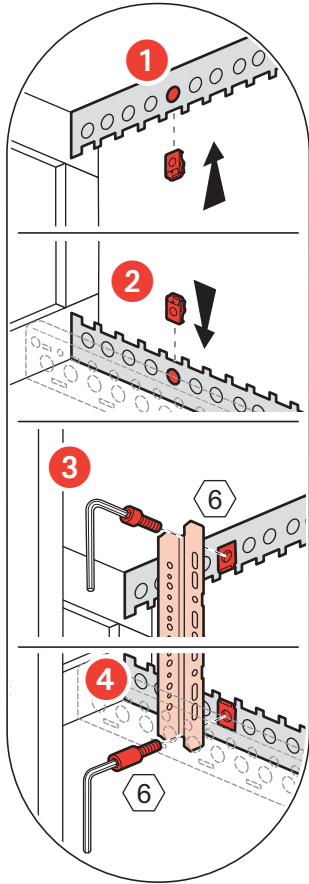
F₂



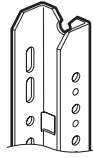
G



P = 300



0 475 50/51/52/53/54/55



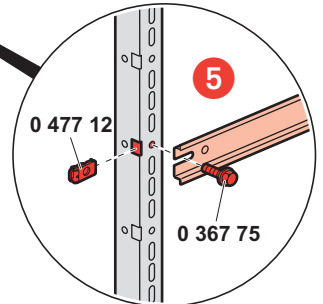
x 2



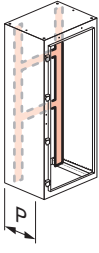
x 2



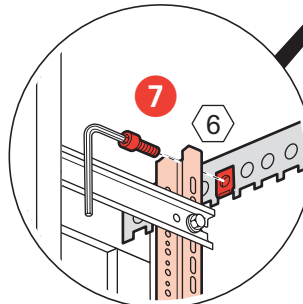
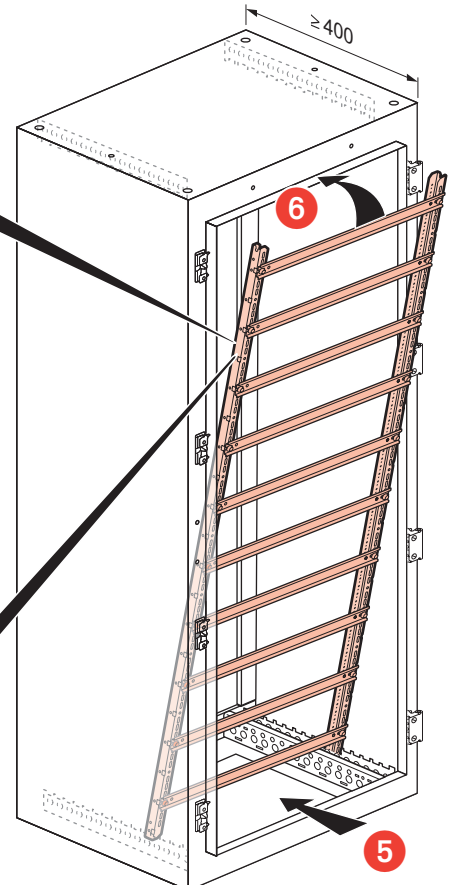
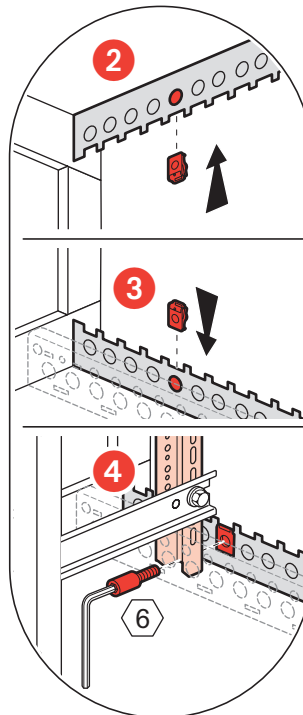
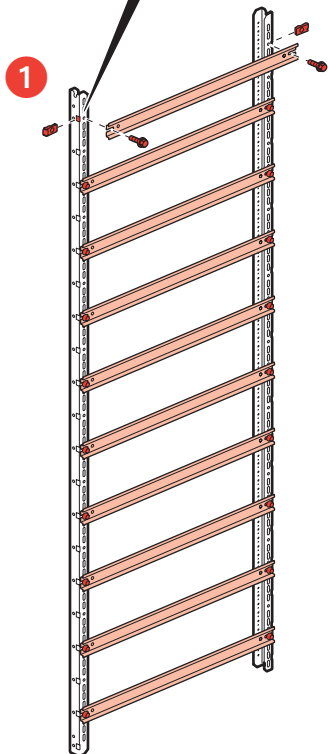
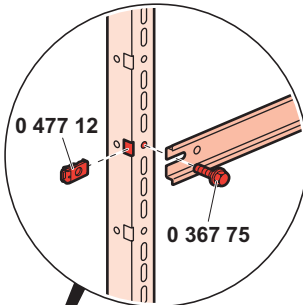
x 4

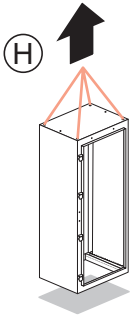


G

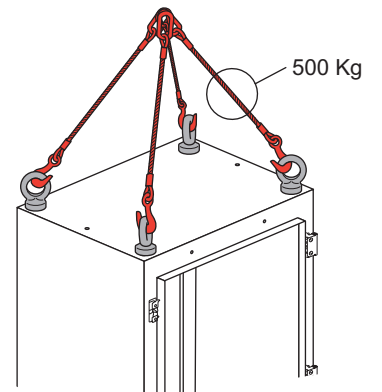
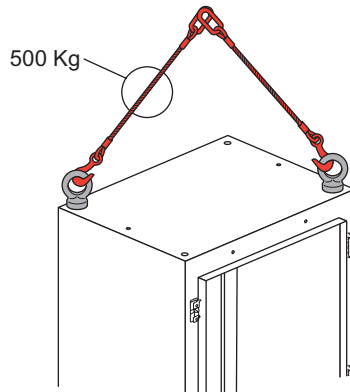
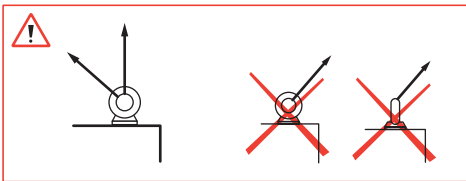
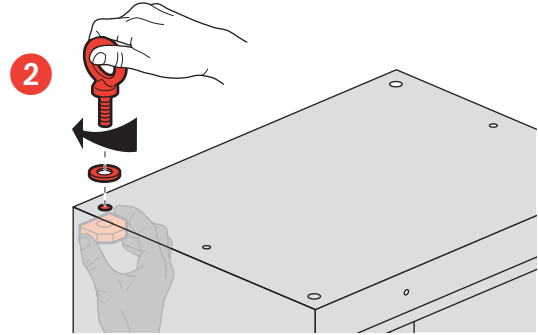
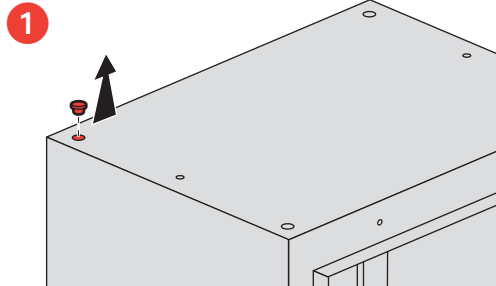
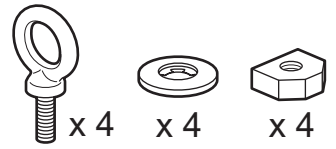


P ≥ 400





0 476 96



	P (Kg)	α (°)	P (Kg)	
	-	120	750	
	490	90	800	
	610	60	800	

