

| CONTENT |                         | PAGES |
|---------|-------------------------|-------|
| 1.      | GENERAL CHARACTERISTICS | 1     |
| 2.      | FINITISH                | 2     |
| 3.      | GAMME                   | 2     |
| 4.      | DIMENSIONS              | 2     |
| 5.      | EQUIPMENTS              | 3     |
| 6.      | ACCESSORIES             | 3     |

## 1. GENERAL CHARACTERISTICS

One-piece metal distribution cabinets, supplied with reversible solid flat door with handle with interchangeable barrel (to be ordered separately), and wall mounting brackets. Packaging reusable after assembly.

- Removable chassis
- Protection factor against solid bodies and liquids conforming to standards IEC 60529 and NF EN 60529: IP 55.
- Protection factor against mechanical impacts conforming to standards NF EN 50102 and NF C20.015: IK 08
- Maximum current: 250 A
- Icw: 25kA
- Icc: 36kA
- Uimp: 6kV
- Ui: 690V
- Ue: 400V

### 1.1 Structure

- One-piece cabinets made from 10/10 mm thick sheet steel
- 1 removable chassis fitted with 2 functional uprights drilled at 25 mm intervals.
- 2 cable routing plates in 10/10 mm thick sheet steel.
- Fastenings with various heads (PZ, slotted, H10 head).
- Wall mounting with 4 external brackets (supplied).
- Reversible solid metal doors, supplied with 2 handles without barrel, opening angle 120°.
- Capacity: 24 modules per row.

## 1.2 Compliance with standards

Legrand cabinets and enclosures are designed to comply with current international standards depending on their usage.

|                              |  |
|------------------------------|--|
| CEI 60529<br>EN 60529        | Degree of protection provided by enclosures (IP code)  |
| NFC 20-015<br>NF EN 50102    | Degree of protection provided by electrical equipment enclosures against external mechanical impacts (IK code) |
| CEI 61439-2<br>NF EN 61439-2 | Low voltage switchgear assembly  |

## 1.3 Resistance to climatic conditions:

- Salt spray: 1000 h
- Operating temperature: -5° C to +40° C
- Storage temperature: -10° C to +70° C

## 1.4 Fire resistance:

- Glow wire resistance 750° C / 5 s in accordance with IEC 60695-2

**2. FINITISH**

**2.1 2-1 Casing**

- One-piece cabinet made from 10/10 mm thick sheet steel
- Cut-out top and bottom cable routing plates made from 10/10 mm thick sheet steel, painted grey RAL 7035 colour
- Faceplate made from 10/10 mm thick sheet steel, painted grey RAL 7035 colour to be ordered separately.
- metal door, 1.5 mm thick, grey RAL 7035 colour

**2.2 2-2 Coating**

- Grey RAL 7035 epoxy polyester paint applied by electrostatic powder coating, coating thickness 50/70 μ.

**3. GAMME**

**3.1 Monobloc metal enclosures**

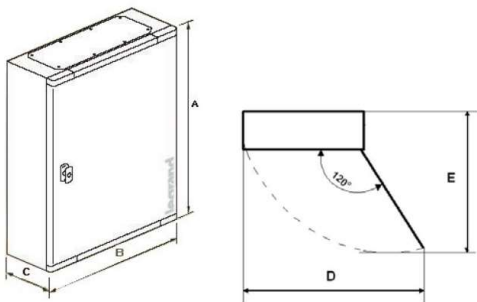
Supplied with reversible solid flat door with handle, removable chassis with functional uprights, top and bottom metal cable routing plate and wall mounting brackets.

| High mm | Effective height mm | Effective width mm | Depth under faceplate (mm) | Weight (kg) | Cat. No. |
|---------|---------------------|--------------------|----------------------------|-------------|----------|
| 515     | 400                 | 515                | 155                        | 17,9        | 0 201 82 |
| 715     | 600                 | 515                | 155                        | 22,9        | 0 201 83 |
| 915     | 800                 | 515                | 155                        | 29          | 0 201 84 |
| 1115    | 1000                | 515                | 155                        | 32,5        | 0 201 85 |

**4. DIMENSIONS**

| Cat. No. | A    | B     | C   | D    | E   |
|----------|------|-------|-----|------|-----|
| 0 201 82 | 515  | 700   | 215 | 1051 | 881 |
| 0 201 83 | 715  | 650,5 | 215 | 1051 | 881 |
| 0 201 84 | 915  | 650,5 | 215 | 1051 | 881 |
| 0 201 85 | 1115 | 700   | 215 | 1051 | 881 |

Note: Dimension C does not include the handle



**4.1 Wall mounting**

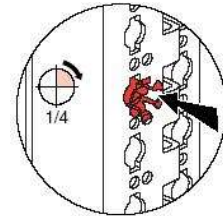
|          | A (mm) | B (mm) |
|----------|--------|--------|
| 0 201 82 | 575    | 624    |
| 0 201 83 | 775    | 624    |
| 0 201 84 | 975    | 624    |
| 0 201 85 | 1175   | 624    |

**4.2 Mounting holes**

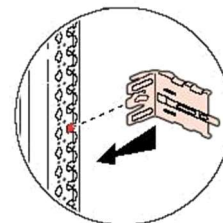
Functional uprights

Profiled steel uprights with 3 holes drilled alternately:

- 25 mm interval holes for fitting clip nuts



- 25 mm interval holes for fitting rail support brackets



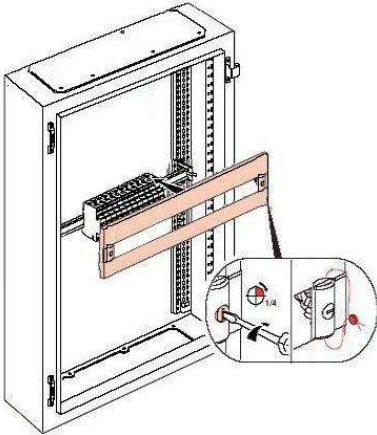
Ø 4.5 mm holes at 25 mm intervals for fitting self-tapping screws

Effective dimensions under rail and plate

|       |          |                         |
|-------|----------|-------------------------|
| Rail  | 0 202 00 | 420 x 76 Upper position |
|       |          | 420 x 50 Lower position |
| Plate | 0 202 01 | 420 x 90                |
|       | 0 202 10 | 420 x 64                |
|       | 0 202 12 | 420 x 64                |
|       | 0 202 14 | 420 x 64                |
|       | 0 202 16 | 420 x 64                |
|       | 0 202 05 | 420 x 64                |
|       | 0 202 20 | 420 x 33                |
|       | 0 202 21 | 420 x 33                |
|       | 0 202 22 | 420 x 33                |
|       | 0 202 24 | 420 x 33                |
|       | 0 202 25 | 420 x 33                |
|       | 0 202 41 | 420 x 33                |
|       | 0 202 42 | 420 x 33                |

## 5. EQUIPMENTS

Plastrons métal ¼ de tour préhensibles et plombables



## 6. ACCESSORIES

- Cat. No. 0 201 90 Divider for horizontal compartmentalisation

### Cable mounting

- Cat. No. 0 201 35 Cable mounting support

Perforated universal plates

- Cat. No. 0 202 41 Height 200 mm

- Cat. No. 0 202 42 Height 300 mm

### Blanking plates

- Cat. No. 0 200 51 24 modules, smooth adjustable strip

- Cat. No. 0 016 65 18 modules, separable into modules or ½ modules

- Cat. No. 0 203 99 Clip-on adhesive label holder for faceplate

### Clip nuts for functional uprights

- Cat. No. 0 200 92 Nut for M6 bolt (pack of 20)

- Cat. No. 0 200 91 M6 bolt (pack of 50)



### Clip nuts for perforated plates

- Cat. No. 0 364 40 For M4 bolt (pack of 100)

- Cat. No. 0 364 41 For M5 bolt (pack of 100)



### Wire routing

- Cat. No. 0 367 74 M6 x 10 insulating bolt (pack of 50)

- Cat. No. 0 200 80 Insulating rivet for mounting on functional uprights (pack of 100)

- Cat. No. 0 200 94 Wire guide for horizontal routing, mounting on rail

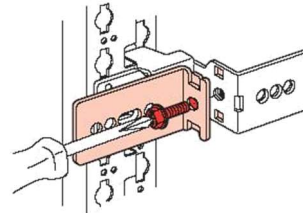
Cat. No. 0 202 01

- Cat. No. 0 201 93 Wire guide for vertical routing, mounting on functional uprights

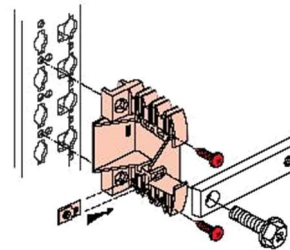
- Cat. No. 0 362 07 Lina™ duct 40 x 60 Length 2 m

- Cat. No. 0 362 08 Lina™ duct 40 x 80 Length 2 m

- Cat. No. 0 201 70 Mounting support for Lina 25 duct Réf. 0 362 08

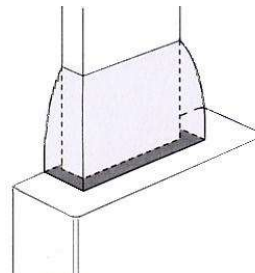


- Cat. No. 0 200 90 Insulating fixing support



- Cat. No. 0 364 97 Cabstop™ cable entry plates

- Cat. No. 0 201 60 Finishing strip for trunking / cabinet junction



**Door accessories**

- Key barrels supplied with 2 keys
- Cat. No. 0 202 91 Type 405
- Cat. No. 0 202 92 Type 455
- Cat. No. 0 202 93 Type 1242E
- Cat. No. 0 202 94 Type 2433A
- Self-adhesive document pockets
- Cat. No. 0 097 99 A4 soft plastic pocket
- Cat. No. 0 365 82 IP50 rigid plastic document holder, internal dimensions 324x120x18 mm
- Cat. No. 0 365 81 IP50 document holder, internal dimensions 230x130x18 mm

**Protection conductor connection**

- Cat. No. 0 048 19 12 x 2 flat bar for accommodating IP2x terminal blocks
- Cat. No. 0 373 01 Bar with holes
- Cat. No. 0 373 02 Bar with clamp
- Cat. No. 0 373 49 Copper bar 12 x 4
- Cat. No. 0 373 89 Copper bar 12 x 4 with M5 tapped holes
- Cat. No. 0 393 99 Bar support, accommodates bars Cat. No. 0 373 01/02/89 and strip Cat. No. 0 048 19
- Cat. No. 0 373 60 Connector for 1.5 mm<sup>2</sup> conductor
- Cat. No. 0 373 61 Connector for 6 - 16 mm<sup>2</sup> conductor
- Cat. No. 0 373 62 Connector for 10 - 35 mm<sup>2</sup> conductor
- Cat. No. 0 373 65 Connector for 12 x 4 bar with threaded holes
- Cat. No. 0 373 85 6 mm<sup>2</sup> earth bonding conductor

**Spray paint**

- Cat. No. 0 200 98 RAL 7035