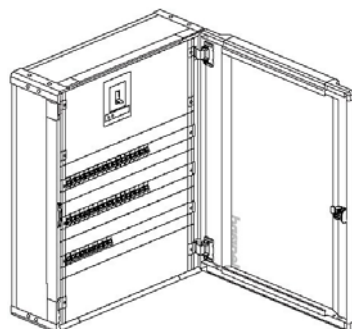


## XL<sup>3</sup> 400 class II insulated distribution cabinets and cable compartments

Cat. No(s) : 20153/54/55/56/57/73/74/75/76/77



CONTENTS	PAGE
1. General characteristics.....	1
2. Finish .....	1
3. Range .....	2
4. Overall dimensions .....	2
5. Equipment .....	3
6. Accessories .....	5

### 1. GENERAL CHARACTERISTICS

Assemblable extendable distribution cabinets and cable compartments, class II, of insulating material, delivered unassembled with packaging reusable after assembly

- Ingress protection against solids and liquids to standards IEC 60529 and NF EN 60529 :

IP 30 without door

IP 40 with door

IP 43 with door, seal and insulated cable entry panel

- Mechanical impact rating to standards NF EN 50102 and NF C20.015

IK 04 without door

IK 07 with door

- Maximum current strength: 400 A

- Maximum tolerated surge intensity I<sub>cw</sub> and associated peak current (busbars on active background) :

I<sub>cw</sub> : 25 kA 1s

I<sub>pk</sub> : 52,5 kA

#### 1-1 Structure

- Assembly of insulated components – colour: grey Ral 7035

- 1 rear panel fitted with 2 mounting supports perforated at intervals of 25 mm and with active background accommodating the C busbar distribution system

- 4 cutaway side panels to allow horizontal and vertical coupling, connection to cable compartments and cable feedthrough.

- 4 side panel support angles

- Multihead fastener set (PZ, slotted, H10 head) 8, M6 x 35 qty. 4, M6 nuts qty 4

- Wall-mounted by rear panel or by external mounting brackets (to be ordered separately)

- Reversible metal doors with or without window, flat or curved, delivered with handle (without barrel), angle of opening 120° (to be ordered separately)

- Capacity: 24 modules per row.

### 1. GENERAL CHARACTERISTICS (cont.)

#### 1-2 Standard conformity

- Legrand cabinets and enclosures are designed in compliance with all the relevant international standards.

IEC 60529 EN 60529	Degree of protection provided by enclosures (IP code)
-----------------------	---

NFC 20-015 NF EN 50102	Degree of protection provided by enclosures of electrical equipment against external mechanical impact (IK code)
---------------------------	--

IEC 60439-1 NF EN 60439-1	Low voltage switchgear and controlgear assemblies
------------------------------	---

IEC 60439-3 NF EN 60439-3	Low voltage switchgear and controlgear assemblies
------------------------------	---

#### 1-3 Resistance to climatic conditions :

- Operating temperature: - 5°C to + 40° C

- Storage temperature : - 10°C à + 70°C

#### 1-4 Fire resistance :

- Glow wire resistance 750° C / 5 s to IEC 60695.2

### 2 . FINISH

#### 2-1 Outer housing

- Rear panel of insulated material and metal plate th. 2.7 mm

- Insulated cutaway side panels thickness 7 mm colour grey RAL 7035

- Insulated faceplates thickness 2.6 mm colour grey RAL 7035 (to be ordered separately)

- Metal door th. 1.2 mm colour grey RAL 7035

#### 2-2 Door coating

- Beige RAL 7035 epoxy polyester powder-coated paint coating thickness 50/70 µ.

# XL<sup>3</sup> 400 class II insulated distribution cabinets and cable compartments

Cat. No(s) : 20153/54/55/56/57/73/74/75/76/77

## 3. RANGE

### 3-1 Class II cabinets

- Delivered in kit form with active background accommodating C busbar distribution system, removable cutaway side panels with screws for horizontal and vertical coupling.

Height mm	Inside height mm	Inside width mm	Inside depth/face Plate mm	Weight Kg	Cat. No.
600	550	515	138	11,2	20153
750	700	515	138	13,9	20154
900	850	515	138	16,9	20155
1050	1000	515	138	19,8	20156
1200	1150	515	138	21,9	20157

### 3-2 Class II cable ducts

- Delivery as for cabinets

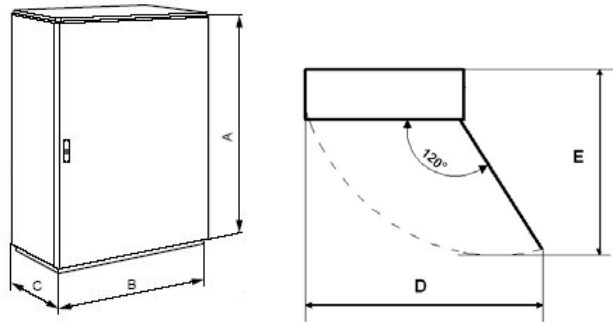
Height mm	Inside height mm	Inside width mm	Inside depth/face plate mm	Weight Kg	Cat. No.
600	550	250	155	8	20173
750	700	250	155	9,8	20174
900	850	250	155	11,3	20175
1050	1000	250	155	12,9	20176
1200	1150	250	155	14,9	20177

## 4. OVERALL DIMENSIONS (mm)

Cat. No.	A	B	C Without door	C flat door	C curved door	D	E
20153	600	575	175	200	220	910	750
20154	750	575	175	200	220	910	750
20155	900	575	175	200	220	910	750
20156	1050	575	175	200	220	910	750
20157	1200	575	175	200	220	910	750
20173	600	310	175	200	220	500	490
20174	750	310	175	200	220	500	490
20175	900	310	175	200	220	500	490
20176	1050	310	175	200	220	500	490
20177	1200	310	175	200	220	500	490

## 4. OVERALL DIMENSIONS (mm)

Note: Dimension C does not include the handle



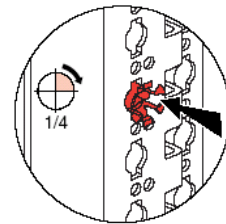
### 4-1 Wall mounting

	A B	C D E	F G
	<b>A = 330</b>	<b>c = 475</b>	<b>F = 625</b>
	<b>A = 330</b> <b>B = 277,5</b>	<b>C = 475</b> <b>D = 100</b> <b>E = 210</b>	<b>G = 935</b>

### 4-2 Passthrough

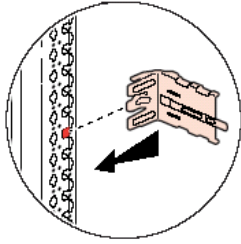
- Mounting supports

Profiled steel mounting supports with 3 alternating perforations  
- Perforated at 25 mm intervals for fixing nut clips



## 4. OVERALL DIMENSIONS (cont.)

- Rectangular perforations at 25 mm intervals for fixing rail support brackets



- Perforated at 25 mm intervals (diameter 4.5 mm) for screw attachment

- Passthrough under rail and fixing plate

- Cabinets

Rail	20200	420 x 59 Upper position
		420 x 33 Lower position
	20201	420 x 73

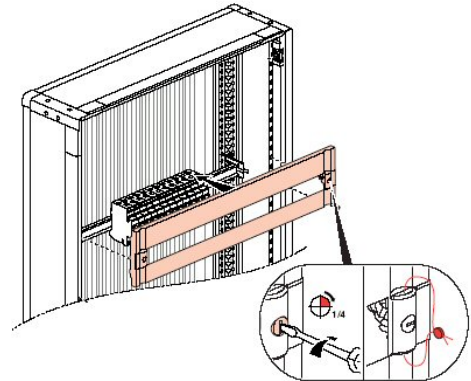
Fixing plate	20210	420 x 47
	20212	420 x 47
	20214	420 x 47
	20216	420 x 47
	20205	420 x 47
	20220	420 x 16
	20221	420 x 16
	20222	420 x 16
	20224	420 x 16
	20225	420 x 16
	20241	420 x 16
	20242	420 x 16

- Cable compartments

Rail	20203	152 x 90
Fixing plate	20218	164 x 64
	20219	164 x 64
	20228	164 x 33
	20229	164 x 33

## 5. EQUIPMENT

Sealable ¼-turn fix and release faceplates



- Blank faceplates for cabinets

Insulated	Height (mm)
20390	50
20391	100
20392	150
20393	200
20394	300

- Faceplates for rail-mounted modular devices

Insulated	Height (mm)
20350	150
20351	200
20360	300

- For devices on fixing plate in vertical position

Insulated	Height (mm)
20360	300
20362	400
20370	400
20371	400
20372	600
20373	600

- For devices on fixing plate in horizontal position

Insulated	Height (mm)
20364	200
20374	200

- Blank faceplates for cable compartments

Insulated	Height (mm)
20197	300
20198	400
20199	550

- Faceplates for cable compartment devices

Insulated	Height (mm)
20353	150

# XL<sup>3</sup> 400 class II insulated distribution cabinets and cable compartments

Cat. No(s) : 20153/54/55/56/57/73/74/75/76/77

## 5. EQUIPMENT (cont.)

### Doors

supplied with handle.

Interchangeable barrel (to be ordered separately)

- Curved doors for cabinets and enclosures

Metal	Transparent	Height (mm)	Cabinet/door distance (mm)	
			Metal	Transparent
20253	20263	600	57	53
20254	20264	750	57	53
20255	20265	900	57	53
20256	20266	1050	57	53
20257	20267	1200	57	53

- Flat doors for cabinets and enclosures

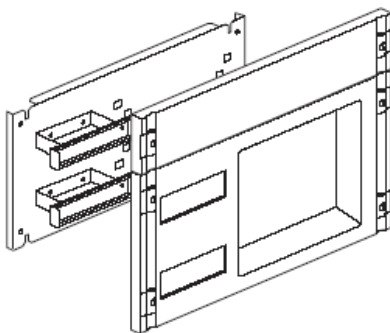
Metal	Transparent	Height (mm)	Cabinet/door distance (mm)	
			Metal	Transparent
20273	20283	600	38	34
20274	20284	750	38	34
20275	20285	900	38	34
20276	20286	1050	38	34
20277	20287	1200	38	34

- Flat doors for cable compartments

Metal	Height (mm)	Cabinet/door distance (mm)
20163	600	38
20164	750	38
20165	900	38
20166	1050	38
20167	1200	38

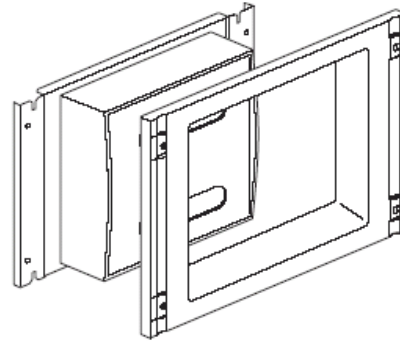
### Blue tariff kit

- Cat. No. 20230 for main circuit-breaker up to 90 A mono and 60 A tetra



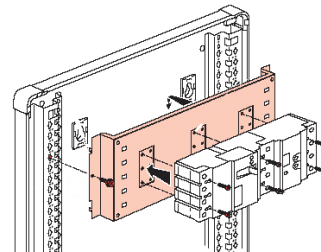
## 5. EQUIPMENT (cont.)

- Cat. No. 20231 for main circuit-breaker and three-phase electronic meter



### Yellow tariff cover plate

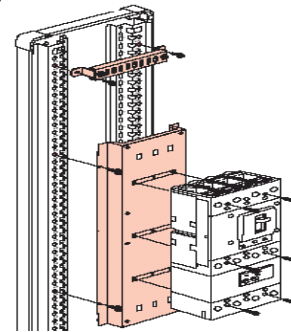
- Cat. No. 20234 for DPX 250 ER horizontal assembly in cabinets



- Cat. No. 20235 for DPX 250 ER vertical assembly in cable compartment

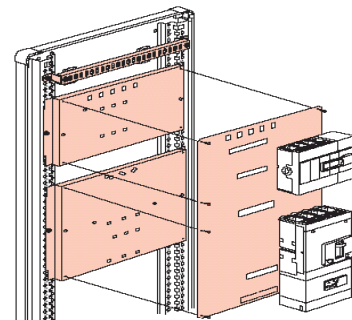
- Cat. No. 20236 for DPX 630 calibrated 400 A vertical assembly in cabinets

- Cat. No. 20237 for DPX 630 calibrated 400 A vertical assembly in cable compartment



- Cat. No. 20232 for DPXIS 250 and DPX 250 ER vertical assembly in cabinets

- Cat. No. 20233 for DPXIS 630 and DPX 630 calibrated 400 A vertical assembly in cabinets



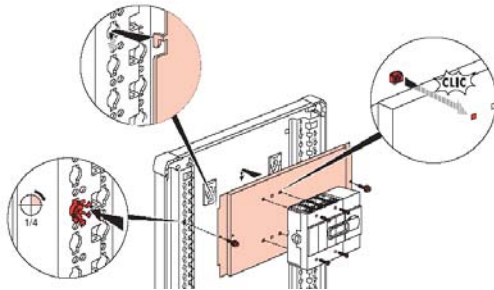
## 5. EQUIPMENT (cont.)

Mounting on omega rail in cabinets

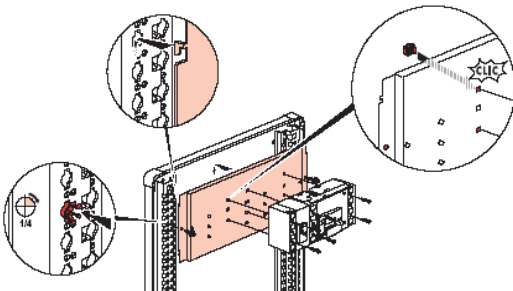
- Cat. No. 20201 Device for modular products and Vistop up to 160 A
- Cat. No. 20200 2-position device for modular products and Vistop up to 160 A, DPXIS 250, DPX 125, 160 and 250 ER
- Cat. No. 26208 Fixing plate for DPX 125
- Cat. No. 26209 Fixing plate for DPX 160 and DPX 250 ER
- Cat. No. 26239 Fixing plate for DPXIS 250
- Cat. No. 26299 20-module rail spacer for use with Cat. No. 20200
- Cat. No. 20202 Universal adjustable fixing device
- Cat. No. 20204 Universal rail

### Plate fixture in cabinets

- Fixed-version devices on plate in vertical position
- Cat. No. 20205 For 1 to 2 DPXIS 250
- Cat. No. 20207 For 1 DPXIS 630
- Cat. No. 20210 For 1 to 3 DPX 125, DPX 160 or DPX 250 ER
- Cat. No. 20212 For 1 to 3 DPX 125, DPX 160 or DPX 250 ER with downstream RCD
- Cat. No. 20220 For 1 to 2 DPX 250 or 1DPX 630 calibrated 400 A and 1 DPX 250 or 1 DPX 630 or 1 DPX 250 with distribution block Cat. No. 37400
- Cat. No. 20221 For 1 DPX 250 or 1 DPX 630 calibrated 400 A in centre position
- Cat. No. 20222 For 1 to 2 DPX 250 RCD or 1 DPX 630 calibrated 400 and 1 DPX 250 RCD or 1 DPX 630 or 1 DPX 250 RCD with 1 distribution block Cat. No. 37400
- Cat. No. 20223 For 1 DPX 250 or 1 DPX 630 calibrated 400 A with RCD in centre position



- Fixed version devices on plate in horizontal position
- Cat. No. 20214 For 1 DPX 125 or DPX 160 with or without downstream RCD
- Cat. No. 20216 For 1 DPX 250 ER with or without downstream RCD
- Cat. No. 20224 For 1 DPX 250 with or without downstream RCD



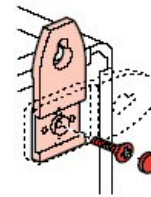
## 5. EQUIPMENT (cont.)

### Rail fixing in cable compartments

- Device for modular products and Vistop up to 160 A
  - Cat. No. 20203 Comprises one rail and 2 fixing brackets with capacity for 9 modules
- ### Plate fixture in cable compartments
- For vertically-mounted devices
  - Cat. No. 20218 Fixing plate for DPX 125, 160 or 250 ER
  - Cat. No. 20219 Fixing plate for DPX 125, 160 or 250 ER with downstream RCD
  - Cat. No. 20228 Fixing plate for DPX 250 or DPX 630
  - Cat. No. 20229 Fixing plate for DPX 250 or DPX 630 calibrated 400 ER with downstream RCDI

## 6. ACCESSORIES

- Cat. No. 20130 IP 43 seal
- Cat. No. 20151 Joining reinforcement bars
- Cat. No. 20195 Support for terminal strips, earth terminal etc., for cable compartments
- Cat. No. 20190 Partition for horizontal division of cabinets
- Cat. No. 20150 Set of 4 plastic wall-mounting brackets



### Cable fixing

- Cat. No. 20135 For cabinets
- Cat. No. 20137 For cable compartments

### Plinths height 100 mm

- Cat. No. 20110 For cabinets
- Cat. No. 20112 For cable compartments

### Cable entry panels

- Cat. No. 20171 Panel with 24 knockout holes

### Blanks

- Cat. No. 01665 Breakaway 18-module adjustable strip, separation by module or 1/2-module
- Cat. No. 20051 Cutaway 24-module blanking plate
- Cat. No. 20399 Clip-on adhesive label holder

### Universal perforated fixing plates

- Cat. No. 20241 Height 200 mm for cabinets
- Cat. No. 20242 Height 300 mm for cabinets
- Cat. No. 20243 Height 200 mm for cable compartments

## 6. ACCESSORIES (cont.)

### Nut clips for mounting supports

- Cat. No. 20092 For M6 screws
- Cat. No. 20091 M6 screws



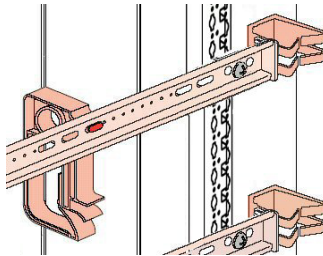
### Nut clips for perforated cover plates

- Cat. No. 36440 For M4 screws
- Cat. No. 36441 For M5 screws

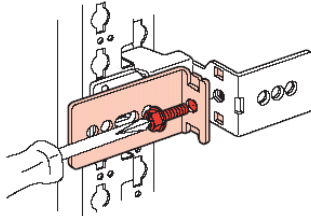


### Wire guides

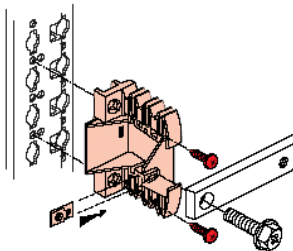
- Cat. No. 20094 For horizontal wiring
- Cat. No. 20193 For vertical wiring



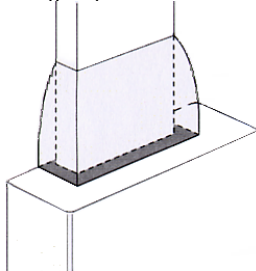
- Cat. No. 20170 Fixing support for Lina 25 cable ducting



- Cat. No. 20090 Insulated fixing support



- Cat. No. 20160 Finishing strip for DLP / cabinet connection



## 6. ACCESSORIES (cont.)

### Door accessories

- Key barrels and knockout for metal or transparent doors, with 2 keys
- Cat. No. 20291 Type 405
- Cat. No. 20292 Type 455
- Cat. No. 20293 Type 1242E
- Cat. No. 20294 Type 2433A
- Cat. No. 20296 Double bar knockout
- Adhesive transparent document holder
- Cat. No. 09799 Flexible plastic A4
- Cat. No. 36582 Rigid plastic IP 50

### Connection for protective conductors

- Cat. No. 04819 Flat bar 12 x 2 for IP2X terminal blocks
- Cat. No. 37301 Holed bar
- Cat. No. 37302 Stirrup
- Cat. No. 37349 Copper bar 12 x 4
- at. No. 37389 Copper bar 12 x 4 with M 5 tapped holes
- Cat. No. 39399 Support for bars Cat. Nos 37301/02/89 and bar Cat. No. 04819
- Cat. No. 37360 Connector for conductor 1.5 mm<sup>2</sup>
- Cat. No. 37361 Connector for conductor 6 to 16 mm<sup>2</sup>
- Cat. No. 37362 Connector for conductor 10 to 35 mm<sup>2</sup>
- Cat. No. 37365 Connector for bar 12 x 4 with tapped holes

### Paint spray

- Cat. No. 20098 RAL 7035