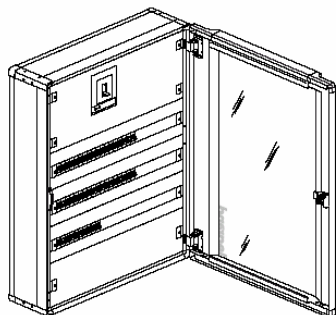


**XL<sup>3</sup> 400 metal distribution cabinets, free-standing enclosures and cable compartments**

**Cat. No(s) : 20103/04/05/06/07/08/18/19/23/24/25/26/27/28/38/39**



CONTENTS	PAGE
1. General characteristics .....	1
2. Finish.....	1
3. Range.....	2
4. Overall dimensions .....	2
5. Equipment.....	3
6. Accessories.....	6

**1. GENERAL CHARACTERISTICS**

Assemblable extendable metal distribution cabinets, free-standing enclosures and cable compartments, delivered unassembled with packaging reusable after assembly

- Ingress protection against solids and liquids to standards IEC 60529 and NF EN 60529:  
IP 30 without door  
IP 40 with door  
IP 43 with door, seal and insulated cable entry panel

- Mechanical impact rating to standards NF EN 50102 and NFC 20.015  
IK 07 without door  
IK 08 with door

- Maximum current strength: 400 A
- Maximum tolerated surge intensity I<sub>cw</sub> and associated peak current (busbars on active background):  
I<sub>cw</sub> : 25 kA 1s  
I<sub>pk</sub> : 52,5 kA

**1-1 Structure**

- Assembly of steel plate elements:
  - 1 rear panel in galvanized steel plate with 2 mounting supports perforated at 25 mm intervals
  - 4 cutaway steel sheet side panels to allow horizontal and vertical coupling, connection to cable compartments and cable feedthrough
  - 4 side panel support angles
  - Multihead fastener set (PZ, slotted, H10 head) 8, M6 x 35 qty 4, M6 nuts qty 4
  - 1 insulated cable entry panel for IP 43 (supplied)
    - Wall-mounted by rear panel or by external mounting brackets (to be ordered separately)
    - Reversible metal doors with or without window, flat or curved, delivered with handle (without barrel), angle of opening 120° (to be ordered separately)
    - Capacity: 24 modules per row

**1. GENERAL CHARACTERISTICS (cont.)**

**1-2 Standard conformity**

- Legrand cabinets and free-standing enclosures are designed in compliance with all the relevant international standards.

IEC 60529 EN 60529	Degree of protection provided by enclosures (IP code)
NFC 20-015 NF EN 50102	Degree of protection provided by enclosures of electrical equipment against external mechanical impact (IK code)
IEC 60439-1 NF EN 60439-1	Low voltage switchgear and controlgear assemblies
IEC 60439-3 NF EN 60439-3	Low voltage switchgear and controlgear assemblies

**1-3 Resistance to climatic conditions :**

- Salt spray: 1000 h
- Operating temperature: - 5°C to + 40° C
- Storage temperature: - 10°C to + 70°C

**1-4 Fire resistance :**

- Glow wire resistance 750° C / 5 s to IEC 60695.2

**2. FINISH**

**2-1 Outer housing**

- Rear panel in galvanized steel plate th. 10/10 mm
- Cutaway side panels in steel plate th. 10/10 mm colour grey RAL 7035
- Cutaway upper and lower panels in painted steel plate th. 10/10 mm colour grey RAL 7035
- Faceplate in painted steel plate th. 10/10 mm colour grey RAL 7035 (to be ordered separately)
- Plinth in painted steel plate th. 10/10 mm colour grey RAL 7004
- Metal door th. 10/10 mm colour grey RAL 7035
- Insulating cable entry panel th. 3 mm

**2-2 Coating**

- Beige RAL 7035 epoxy polyester powder-coated paint coating thickness 50/70 µ.

# XL<sup>3</sup> 400 metal distribution cabinets, free-standing enclosures and cable compartments

Cat. No. (s) : 20103/04/05/06/07/08/18/19/23/  
24/25/26/27/28/38/39

## 3. RANGE

### 3-1 Metal cabinets

- Delivered in kit form with mounting supports on backpanel, cutaway cable entry panel, metal side panels and screws for horizontal and vertical coupling

Height mm	Inside height mm	Inside width mm	Inside depth /faceplate mm	Weight Kg	Cat. No.
600	550	515	155	12,3	20103
750	700	515	155	13,4	20104
900	850	515	155	15,2	20105
1050	1000	515	155	17,9	20106
1200	1150	515	155	20,8	20107
1500	1450	515	155	24,4	20108

### 3-2 Cable compartments for metal cabinets

- Delivery as for cabinets

Height mm	Inside height mm	Inside width mm	Inside depth /faceplate mm	Weight Kg	Cat. No.
600	550	250	155	8,8	20123
750	700	250	155	9,9	20124
900	850	250	155	10,7	20125
1050	1000	250	155	13,6	20126
1200	1150	250	155	15	20127
1500	1450	250	155	19	20128

### 3-3 Metal cabinets

- Delivered in kit form with mounting supports on rear panel, insulated cutaway cable entry panel, metal side panel and screws for horizontal and vertical coupling, plinth height 100 mm.

Height mm	Inside height mm	Inside width mm	Inside depth /faceplate mm	Weigh Kg	Cat. No.
1600	1450	515	155	28	20118
1900	1750	515	155	31,4	20119

### 3-4 Cable compartments for metal cabinets

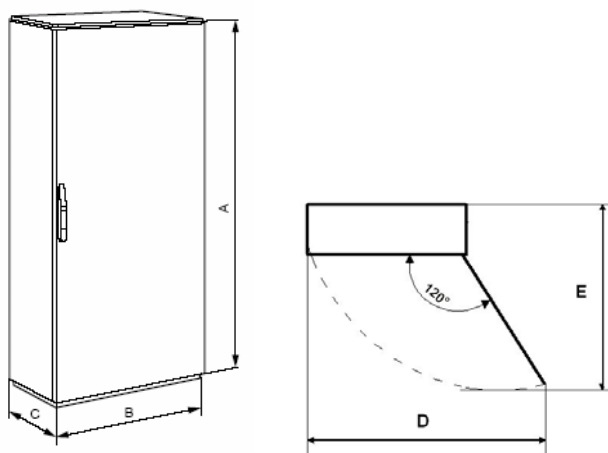
- Delivery as for cabinets

Height mm	Inside height mm	Inside width mm	Inside depth /faceplate mm	Weigh Kg	Cat. No.
1600	1450	515	155	21	20138
1900	1750	515	155	24,2	20139

## 4. OVERALL DIMENSIONS (mm)

Cat. No.	A	B	C without door	C flat door	C curved door	D	E
20103	600	575	175	200	220	910	750
20104	750	575	175	200	220	910	750
20105	900	575	175	200	220	910	750
20106	1050	575	175	200	220	910	750
20107	1200	575	175	200	220	910	750
20108	1500	575	175	200	220	910	750
20118	1600	575	175	200	220	910	750
20119	1900	575	175	200	220	910	750
20123	600	310	175	200	220	500	490
20124	750	310	175	200	220	500	490
20125	900	310	175	200	220	500	490
20126	1050	310	175	200	220	500	490
20127	1200	310	175	200	220	500	490
20128	1500	310	175	200	220	500	490
20138	1600	310	175	200	220	500	490
20139	1900	310	175	200	220	500	490

**Note :** Dimension C does not include the handle  
Dimension A includes the plinth



### 4-1 Wall mounting

	A B	C D E	F G
	<b>A = 330</b>	<b>c = 475</b>	<b>F = 625</b>
	<b>A = 330</b> <b>B = 277,5</b>	<b>C = 475</b> <b>D = 100</b> <b>E = 210</b>	<b>G = 935</b>



**5. EQUIPMENT (cont.)**

**Sealable ¼-turn fix and release faceplates**

- Plain faceplates for cabinets and free-standing enclosures

Metal	Insulated	Height (mm)
20340	20390	50
20341	20391	100
20342	20392	150
20343	20393	200
20344	20394	300

- Faceplates for modular rail-mounted devices

Metal	Insulated	Height (mm)
20300	20350	150
20301	20351	200
20310	20360	300

- For devices on fixing plate in vertical position

Metal	Insulated	Height (mm)
20307		300
20310	20360	400
20312	20362	400
20320	20370	400
20321	20371	400
20322	20372	600
20323	20373	600

- For devices on fixing plate in horizontal position

Metal	Insulated	Height (mm)
20314	20364	200
20315	20364	200
20316	20364	200
20324	20374	200

- Plain faceplates for cable compartments

Metal	Insulated	Hauteur (mm)
20140		200
20141		50
20142		100
	20197	300
	20198	400
20143	20199	550
20144		700
20145		850
20146		1000
20147		1150
20148		1450
20149		1750

- Faceplates for cable compartment devices

Metal	Insulated	Height (mm)
20303	20353	150
20304		200
20318		300
20319		600
20328		400
20329		800

**5. EQUIPMENT (cont.)**

**Doors**

supplied with handle

Interchangeable barrel (to be ordered separately)

- Curved doors for cabinets and cabinets

Metal	Transparent	Height (mm)	Cabinet/door distance (mm)	
			Metal	Transp.
20253	20263	600	57	53
20254	20264	750	57	53
20255	20265	900	57	53
20256	20266	1050	57	53
20257	20267	1200	57	53
20258	20268	1500/1600	57	53
20259	20269	1900	57	53

- Flat doors for cabinets and cabinets

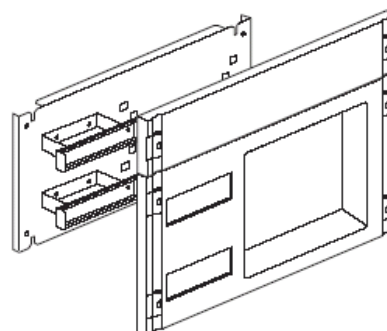
Metal	Transparent	Height (mm)	Cabinet/door distance (mm)	
			Metal	Transp.
20273	20283	600	38	34
20274	20284	750	38	34
20275	20285	900	38	34
20276	20286	1050	38	34
20277	20287	1200	38	34
20278	20288	1500/1600	38	34
20279	20289	1900	38	34

- Flat doors for cable compartments

Metal	Height (mm)	Cabinet/door distance (mm)
20163	600	38
20164	750	38
20165	900	38
20166	1050	38
20167	1200	38
20168	1500/1600	38
20169	1900	38

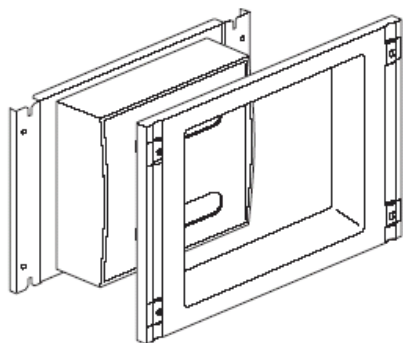
**Blue tariff kit**

- Cat. No. 20230 for main circuit-breaker up to 90 A mono and 60 A tetra



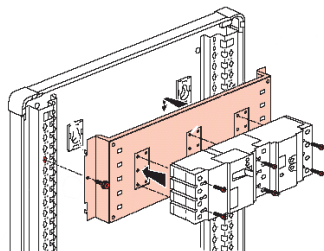
**5. EQUIPMENT (cont.)**

- Cat. No. 20231 for main circuit-breaker and three-phase electronic meter

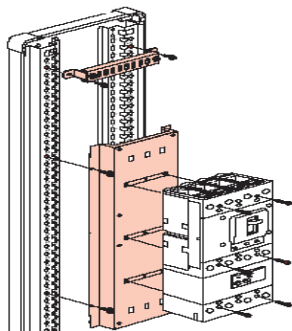


**Yellow tariff fixing plate**

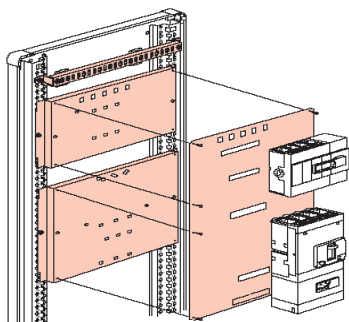
- Cat. No. 20234 for DPX 250 ER horizontal assembly in cabinets and free-standing enclosures



- Cat. No. 20235 for DPX 250 ER vertical assembly in cable compartment
- Cat. No. 20236 for DPX 630 calibrated 400 A vertical assembly in cabinets and free-standing enclosures
- Cat. No. 20237 for DPX 630 calibrated 400 A vertical assembly in cable compartment



- Cat. No. 20232 for DPXIS 250 and DPX 250 ER vertical assembly
- Cat. No. 20233 for DPXIS 630 and DPX 630 calibrated 400 A vertical assembly



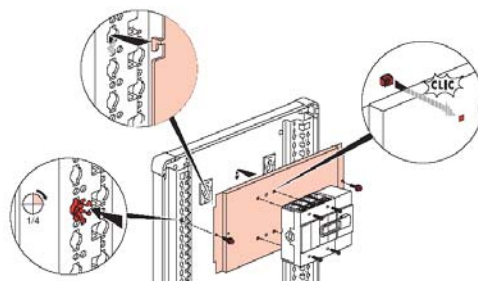
**5. EQUIPMENT (cont.)**

**Mounting on omega rail in cabinets and free-standing enclosures**

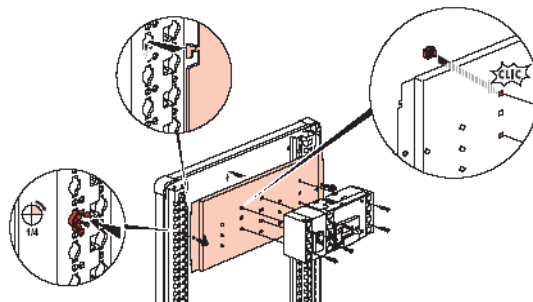
- Cat. No. 20201 Device for modular products and Vistop up to 160 A
- Cat. No. 20200 2-position device for modular products and Vistop up to 160 A, DPXIS 250, DPX 125, 160 and 250 ER
- Cat. No. 26208 Fixing plate for DPX 125
- Cat. No. 26209 Fixing plate for DPX 160 and DPX 250 ER
- Cat. No. 26239 Fixing plate for DPXIS 250
- Cat. No. 26299 20-module rail spacer for use with Cat. No. 20200
- Cat. No. 20202 Universal adjustable fixing device
- Cat. No. 20204 Universal rail

**Plate fixture in cabinets and free-standing enclosures**

- Fixed version devices on plate in vertical position
- Cat. No. 20205 For 1 to 2 DPXIS 250
- Cat. No. 20207 For 1DPXIS 630
- Cat. No. 20210 For 1 to 3 DPX 125, DPX 160 or DPX 250 ER
- Cat. No. 20212 For 1 to 3 DPX 125, DPX 160 or DPX 250 ER with downstream RCD
- Cat. No. 20220 For 1 to 2 DPX 250 or 1DPX 630 calibrated 400 A and 1DPX 250 or 1 DPX 630 or 1 DPX 250 with distribution block Cat. No. 37400
- Cat. No. 20221 For 1 DPX 250 or 1 DPX 630 calibrated 400 A in centre position
- Cat. No. 20222 For 1 to 2 DPX 250 RCD or 1 DPX 630 calibrated 400 and 1 DPX 250 RCD or 1 DPX 630 or 1 DPX 250 RCD with 1 distribution block Cat. No. 37400
- Cat. No. 20223 For 1 DPX 250 or 1 DPX 630 calibrated 400 A with RCD in centre position



- Fixed version devices on plate in horizontal position
- Cat. No. 20214 For 1 DPX 125 or DPX 160 with or without downstream RCD
- Cat. No. 20216 For 1 DPX 250 ER or without downstream RCD
- Cat. No. 20224 For 1 DPX 250 ER with or without downstream RCD



## 5. EQUIPMENT (cont.)

### Rail fixing in cable compartments

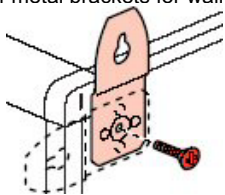
- Device for modular products and Vistop up to 160 A
- Cat. No. 20203 Comprises one rail and 2 fixing brackets with capacity for 9 modules

### Plate fixture in cable compartments

- For vertically-mounted devices
- Cat. No. 20218 Fixing plate for DPX 125, 160 or 250 ER
- Cat. No. 20219 Fixing plate for DPX 125, 160 or 250 ER with downstream RCD
- Cat. No. 20228 Fixing plate for DPX 250 or DPX 630
- Cat. No. 20229 Fixing plate for DPX 250 or DPX 630 calibrated 400 ER with downstream RCD

## 6. ACCESSORIES

- Cat. No. 20130 IP 43 seal
- Cat. No. 20172 Flush mounting frame for cabinets and free-standing enclosures H 600 to 1500 mm
- Cat. No. 20195 Support for terminal strips, earth terminal etc., for cable compartments
- Cat. No. 20190 Partition for horizontal division of cabinets and free-standing enclosures
- Cat. No. 20100 Set of 4 metal brackets for wall mounted cables I



### Wire guides

- Cat. No. 20135 For cabinets and free-standing enclosures
- Cat. No. 20137 For cable compartments

### Plinths height 100 mm

- Cat. No. 20110 For cabinets and free-standing enclosures
- Cat. No. 20112 For cable compartments

### Cable entry panels

- Cat. No. 20120 Insulated cutaway panel for cabinets and free-standing enclosures

### Universal perforated fixing plates

- Cat. No. 20241 Height 200 mm for cabinets and free-standing enclosures
- Cat. No. 20242 Height 300 mm for cabinets and free-standing enclosures
- Cat. No. 20243 Height 200 mm for cable compartments

### Blanks

- Cat. No. 20051 Cutaway 24-module blanking plate
- Cat. No. 01665 Breakaway 18-module adjustable strip, separation by module or 1/2-module
- Cat. No. 20399 Clip-on adhesive label holder

## 6. ACCESSORIES (cont.)

### Nut clips for mounting supports

- Cat. No. 20092 Nut for M6 screw
- Cat. No. 20091 M6 screw



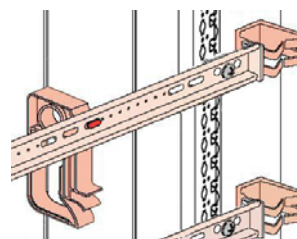
### Nut clips for perforated fixing plates

- Cat. No. 36440 For M4 screws
- Cat. No. 36441 For M5 screws

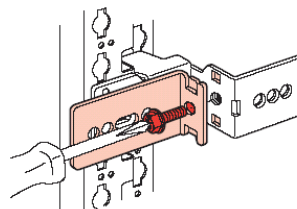


### Wire guides

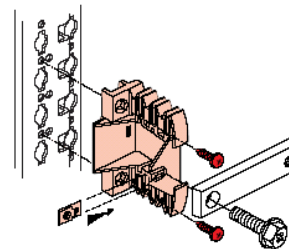
- Cat. No. 36774 Insulated M 6 screw
- Cat. No. 20094 For horizontal wiring
- Cat. No. 20193 For vertical wiring



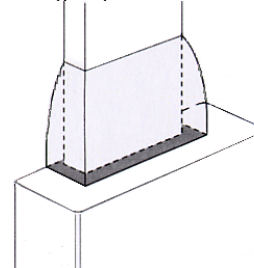
- Cat. No. 20170 Fixing support for Lina 25 cable ducting
- Cat. No. 36646 Insulated rivet



- Cat. No. 20090 Insulated fixing support



- Cat. No. 20160 Finishing strip for DLP / cabinet connection



## **6. ACCESSORIES (cont.)**

### **Door accessories**

- Key barrels and knockout for metal or transparent doors, with 2 keys
- Cat. No. 20291 Type 405
- Cat. No. 20292 Type 455
- Cat. No. 20293 Type 1242E
- Cat. No. 20294 Type 2433A
- Cat. No. 20296 Double bar knockout
  
- Adhesive transparent document holder
- Cat. No. 09799 Flexible plastic A4
- Cat. No. 36582 Rigid plastic IP 50

### **Connection for protective conductors**

- Cat. No. 04819 Flat bar 12 x 2 for IP2X terminal blocks
- Cat. No. 37301 Holed bar
- Cat. No. 37302 Stirrup
- Cat. No. 37349 Copper bar 12 x 4
- Cat. No. 37389 Copper bar 12 x 4 with M 5 tapped holes
- Cat. No. 39399 Support for bars Cat. Nos 37301/02/89 and bar Cat. No. 04819
- Cat. No. 37360 Connector for conductor 1.5 mm<sup>2</sup>
- Cat. No. 37361 Connector for conductor 6 to 16 mm<sup>2</sup>
- Cat. No. 37362 Connector for conductor 10 to 35 mm<sup>2</sup>
- Cat. No. 37365 Connector for bar 12 x 4 with tapped holes
- Cat. No. 37385 Equipotential connector cable 6 mm<sup>2</sup>

### **Paint spray**

- Cat. No. 20098 RAL 7035