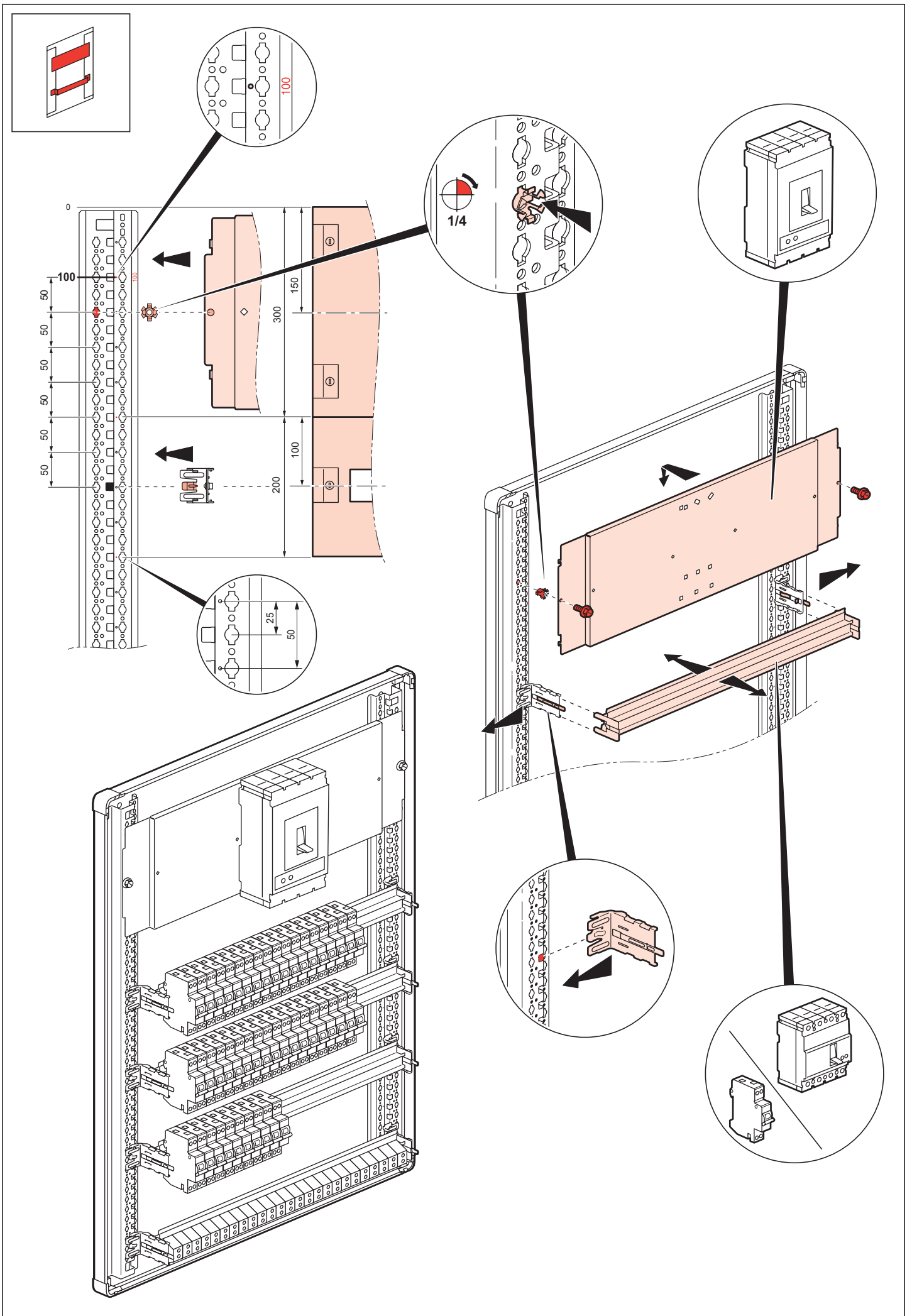
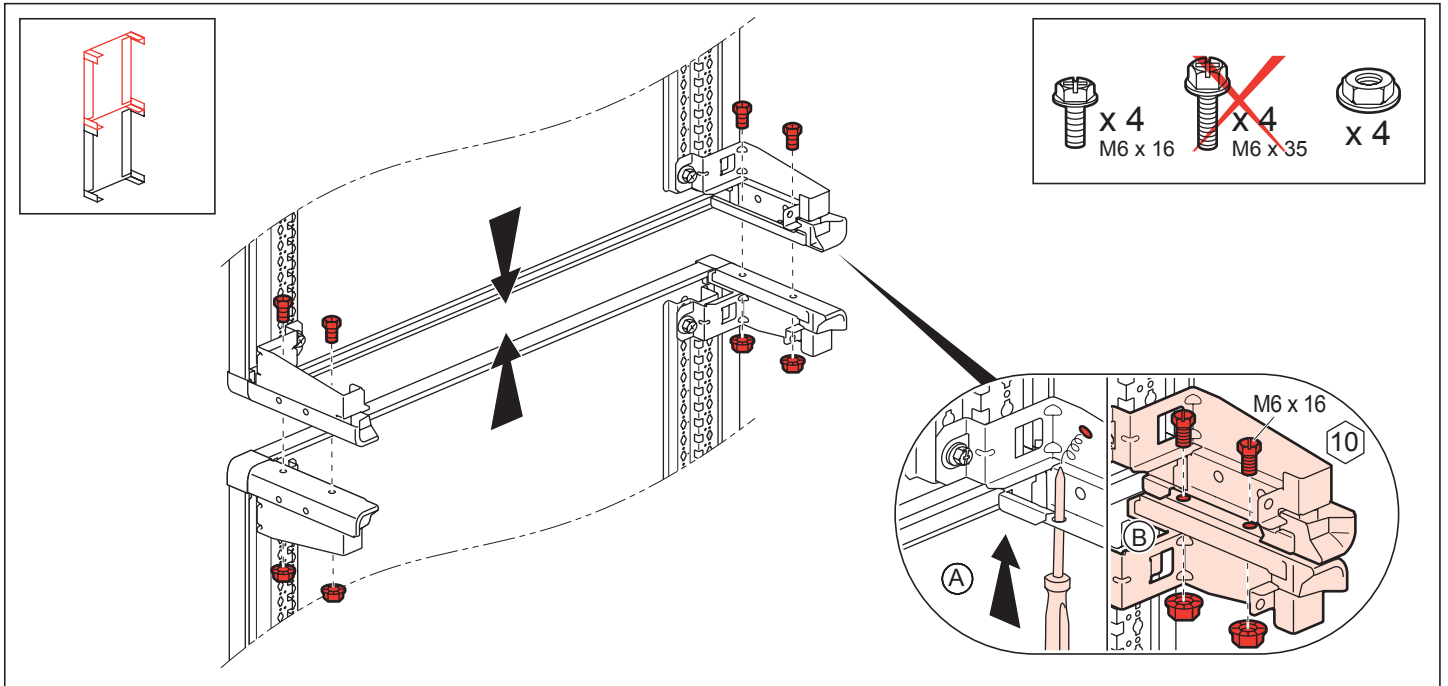
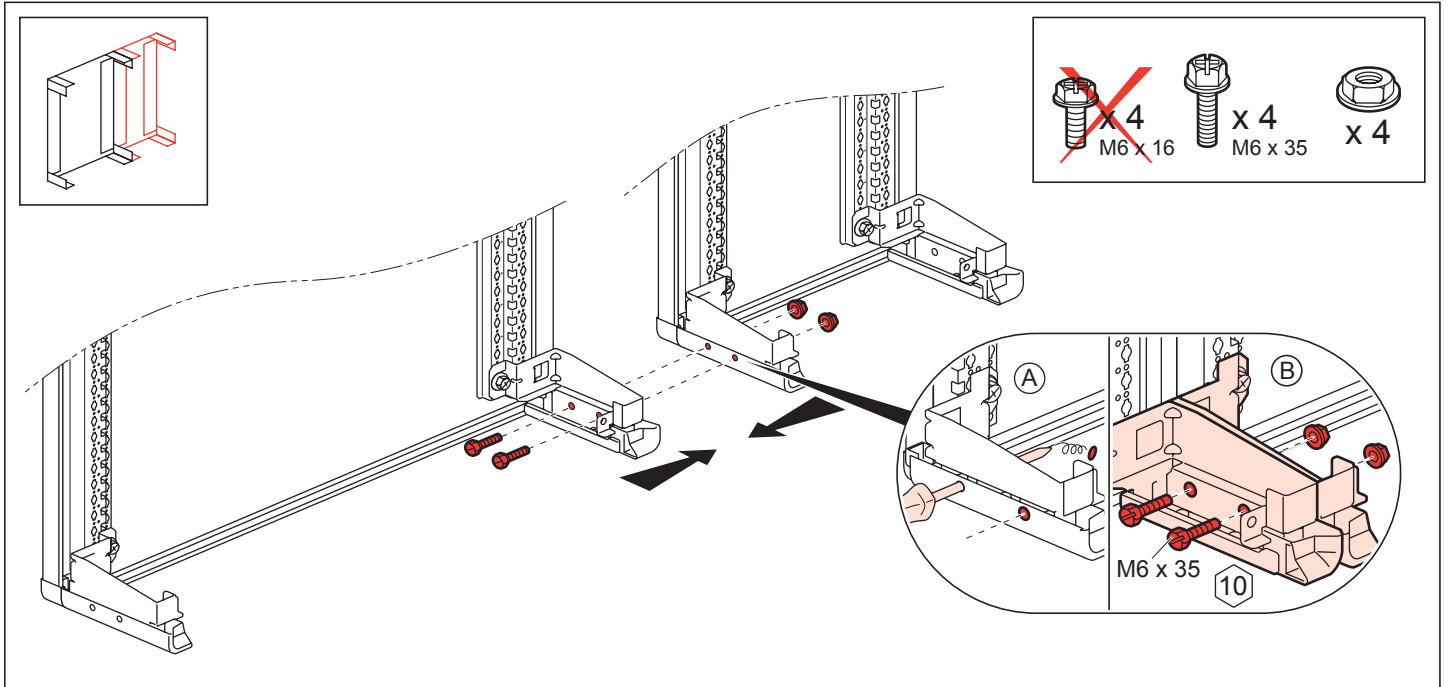
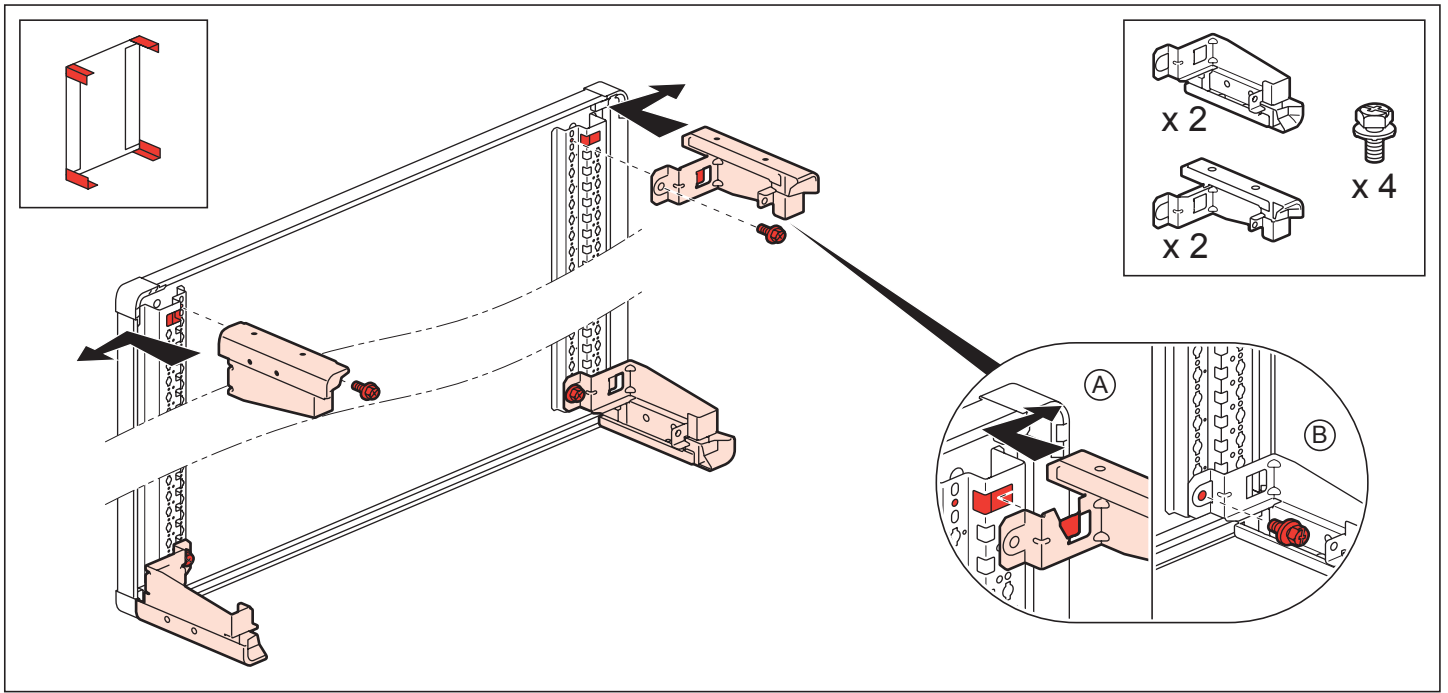
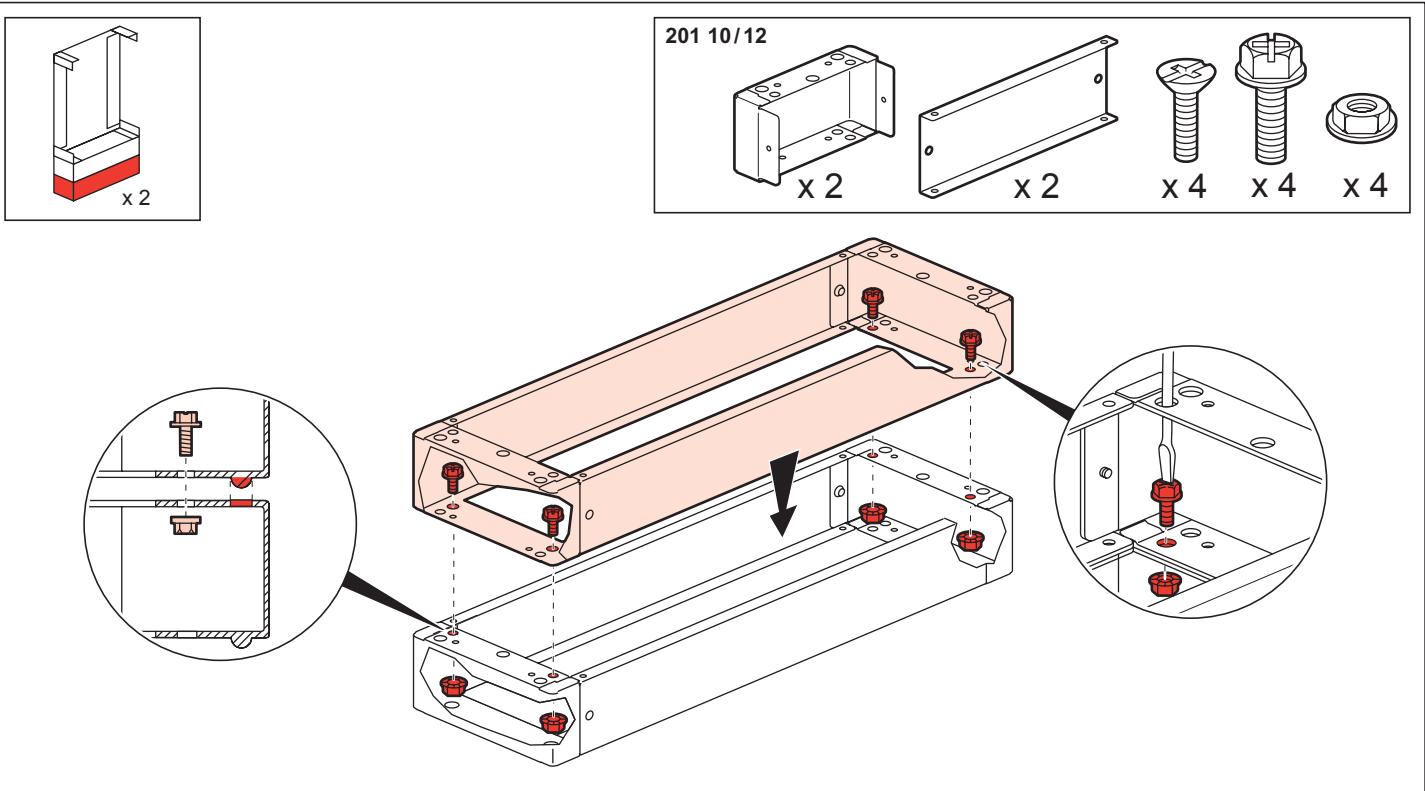
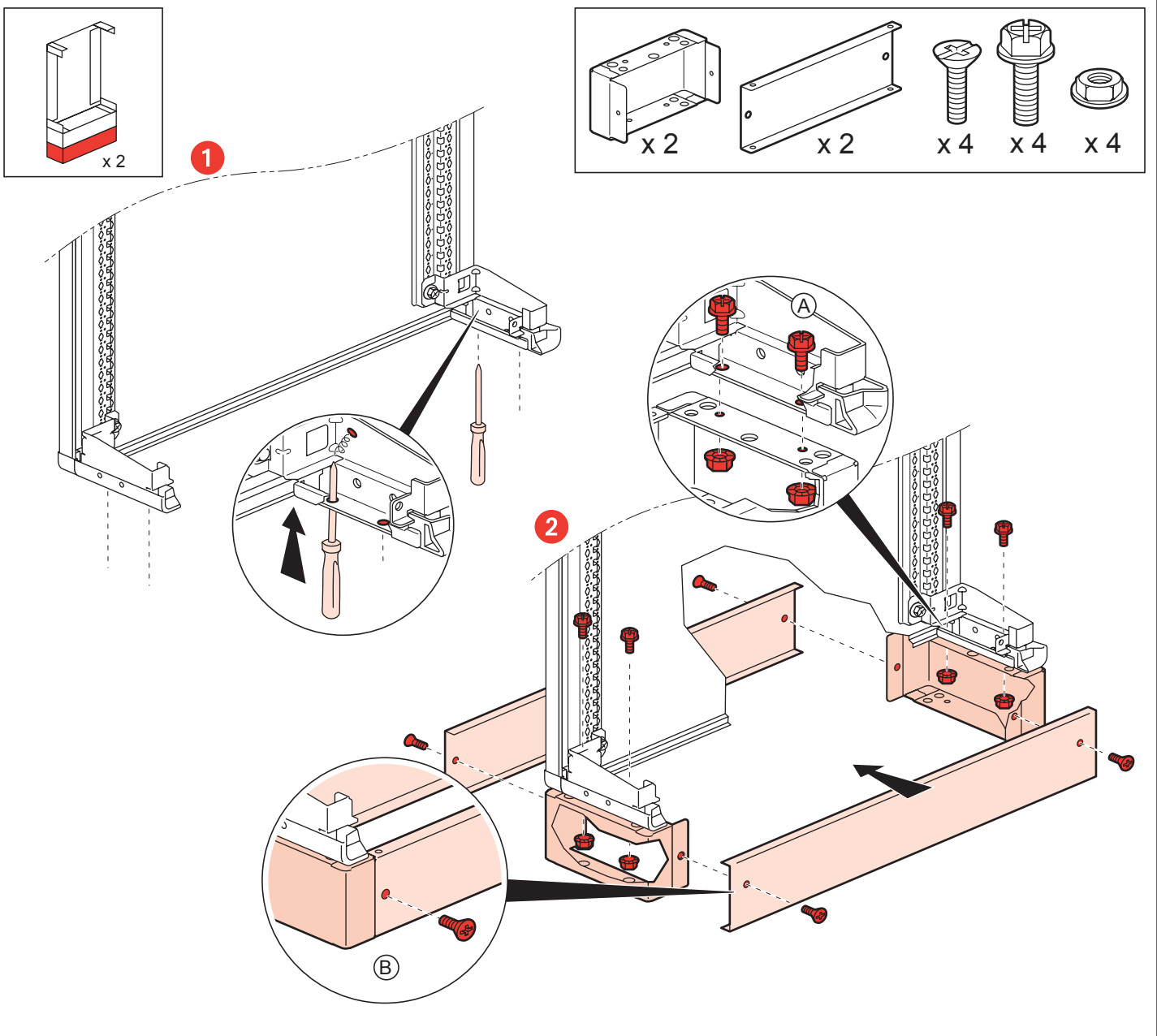
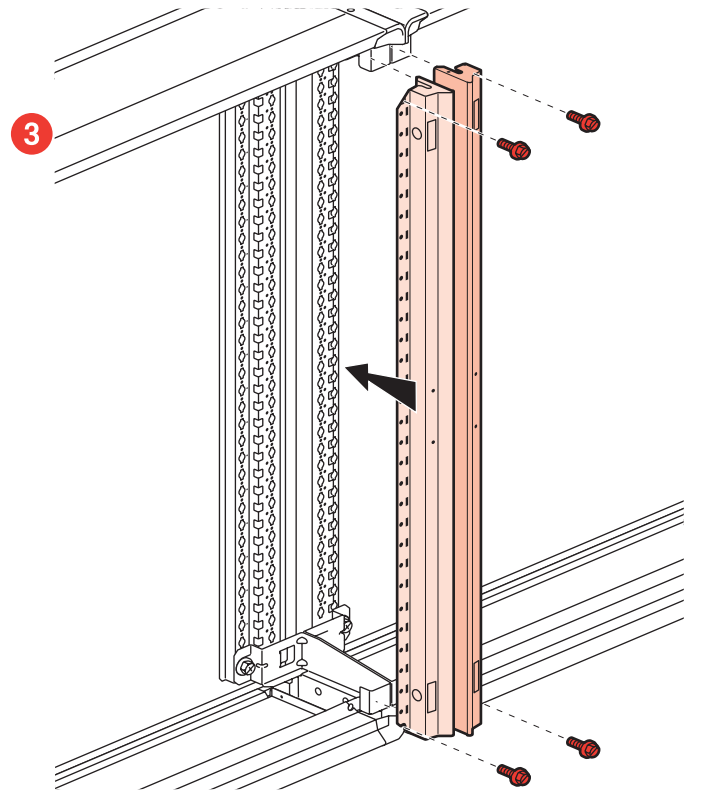
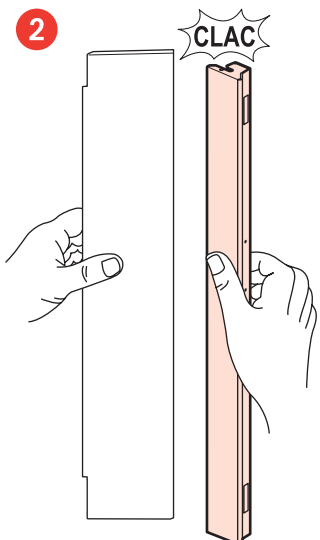
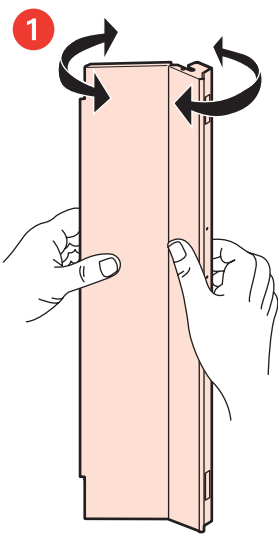
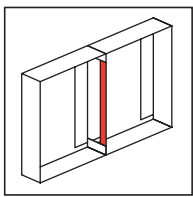
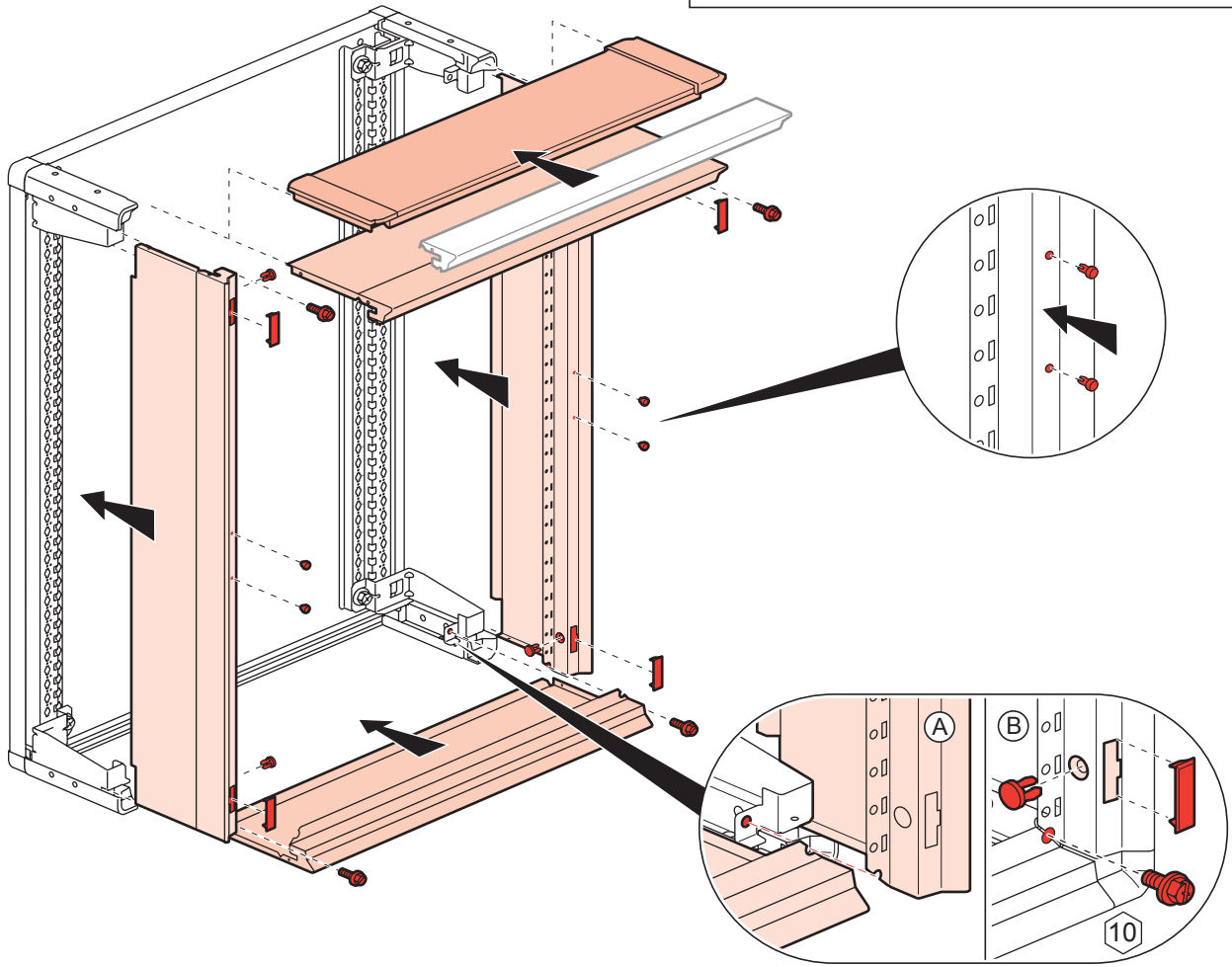
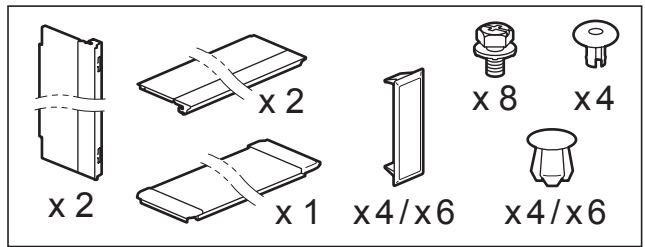
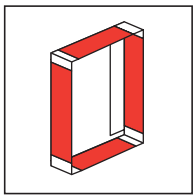


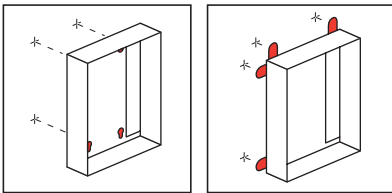
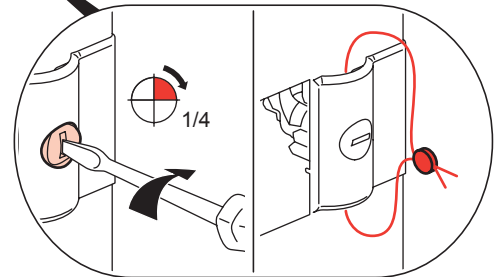
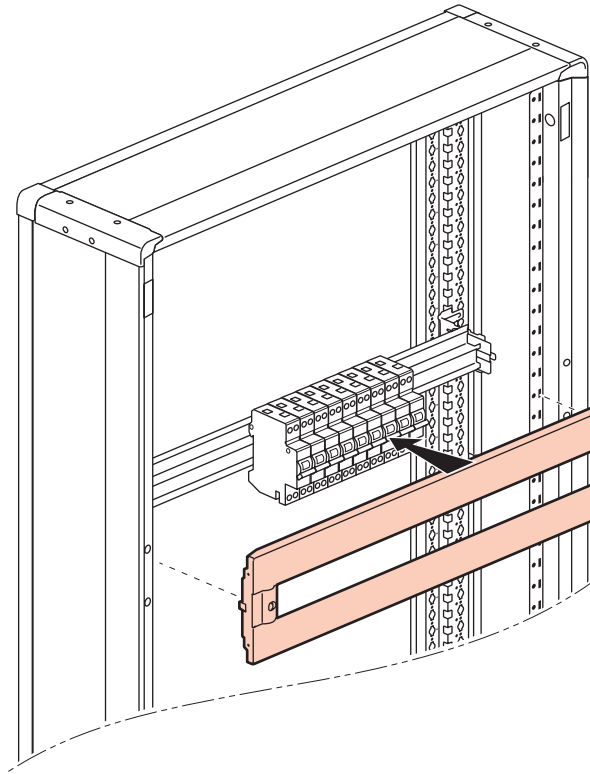
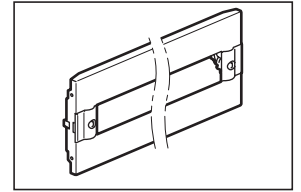
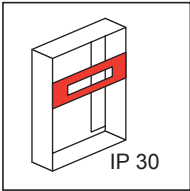
| H (mm) | Réf. | H (mm) | Réf. | H (mm) | Réf. | H (mm) | Réf. |
|--------|--------|--------|--------|--------|--------|--------|--------|
| 600 | 201 03 | | | 600 | 201 23 | | |
| 750 | 201 04 | | | 750 | 201 24 | | |
| 900 | 201 05 | | | 900 | 201 25 | | |
| 1050 | 201 06 | | | 1050 | 201 26 | | |
| 1200 | 201 07 | | | 1200 | 201 27 | | |
| 1500 | 201 08 | | | 1500 | 201 28 | | |
| | | 1600 | 201 18 | | | 1600 | 201 38 |
| | | 1900 | 201 19 | | | 1900 | 201 39 |



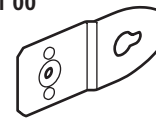




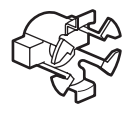




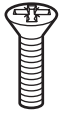
201 00



x 4

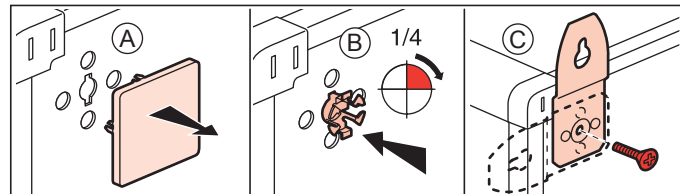
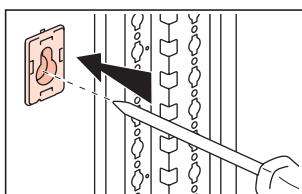


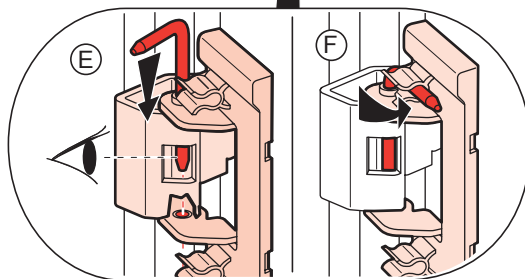
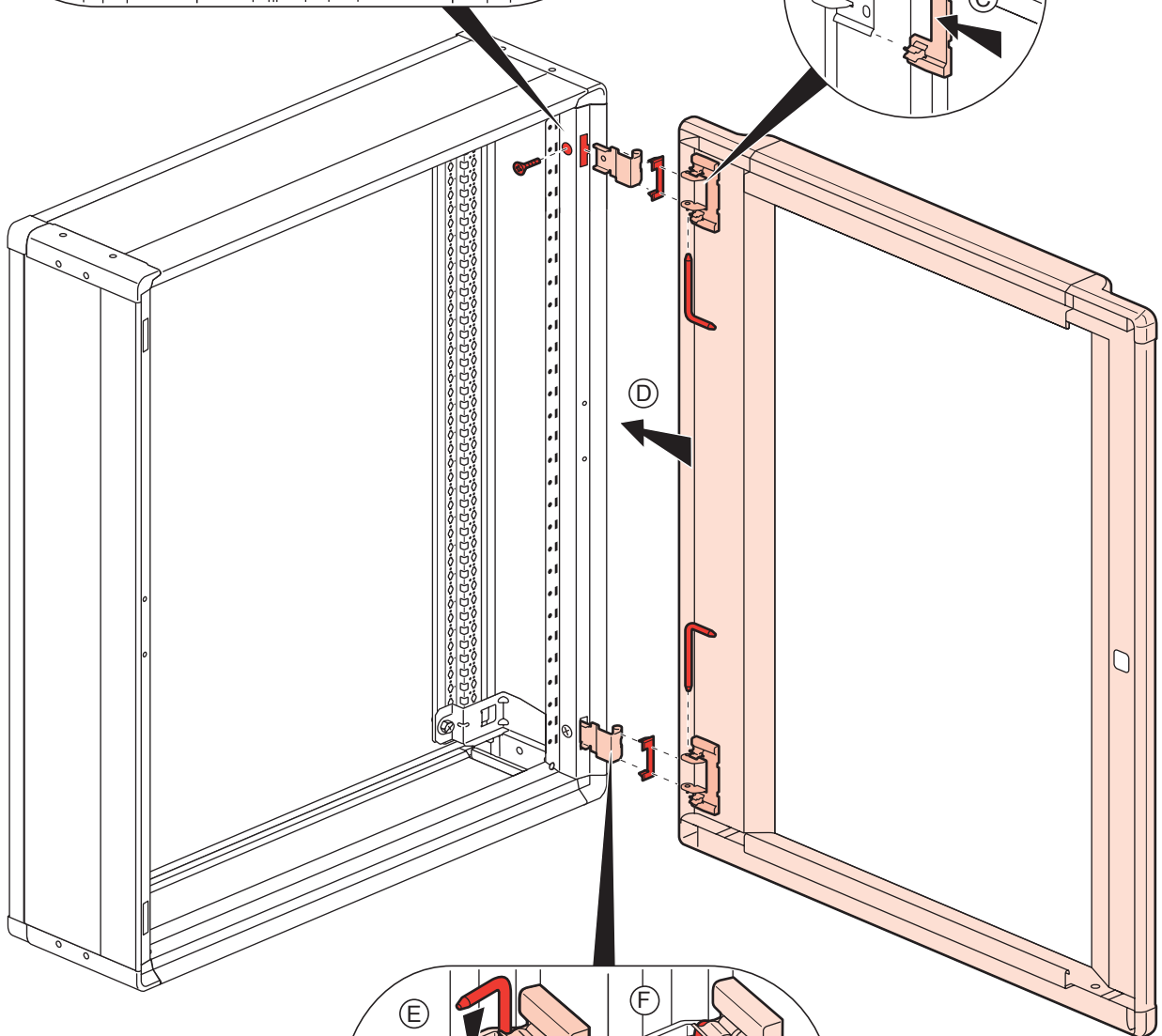
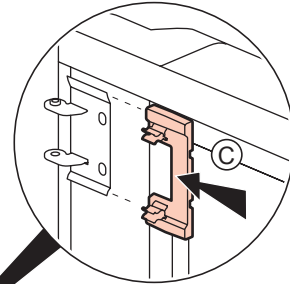
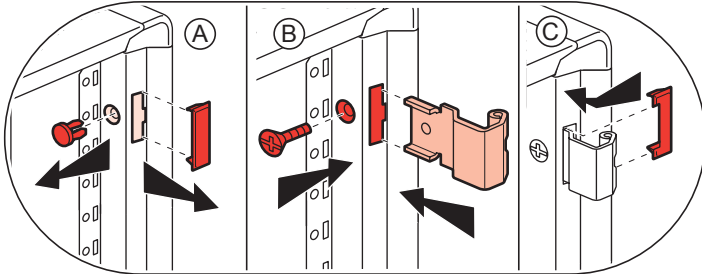
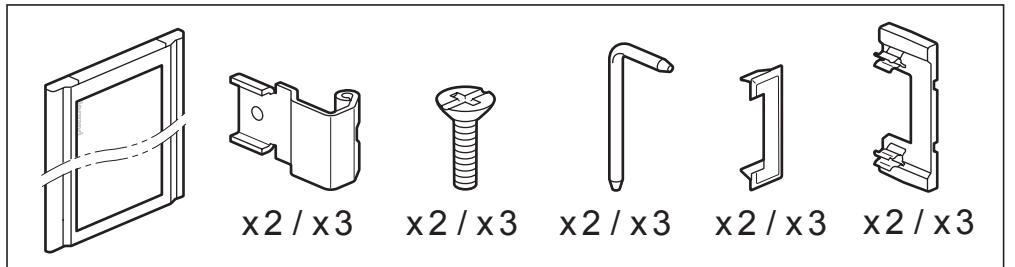
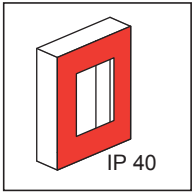
x 4

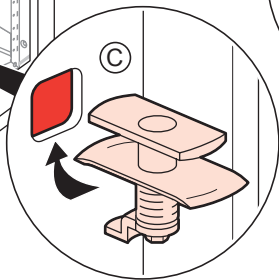
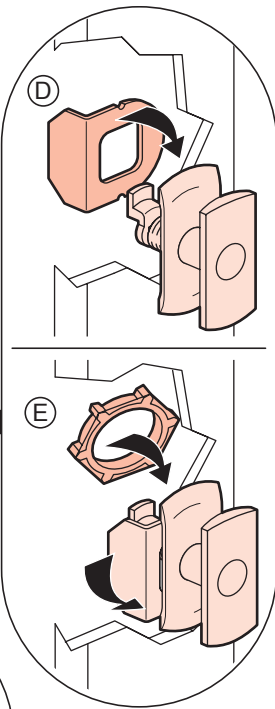
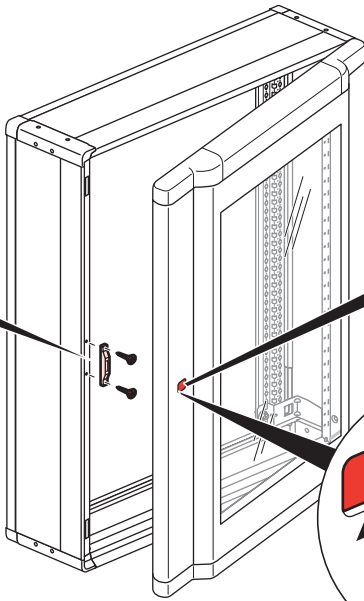
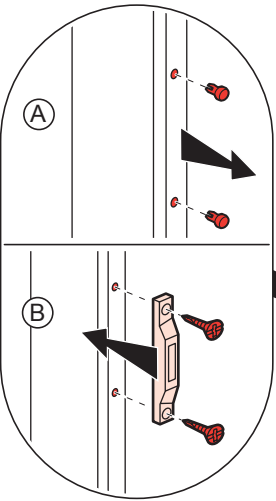
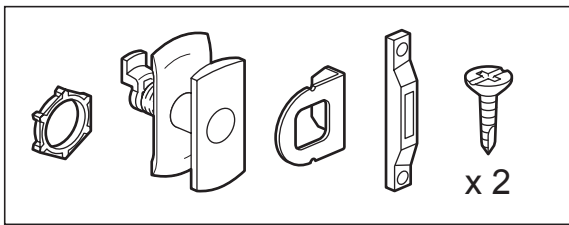
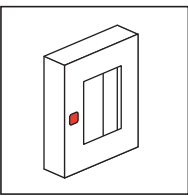


x 4

| | | | |
|--|----------------------|-------------------------------|---------|
| | | | |
| | A = 330 | C = 475 | F = 625 |
| | A = 330 B = 277,5 | C = 475 D = 100 E = 210 | G = 935 |







| | |
|--|------------------|
| | 202 91 N° 405 |
| | 202 92 N° 455 |
| | 202 93 1242 E |
| | 202 94 2433 A |
| | 202 96 |

