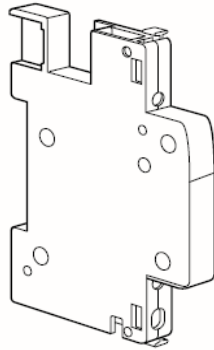


## Signalling auxiliary switch for contactors 40 A and 63 A

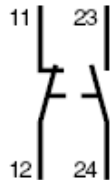
Référence(s) : 412 431



SOMMAIRE	PAGES
1. Caractéristiques techniques .....	1
2. Installation .....	1
3. Marquage .....	2
4. Côtés d'encombrement.....	2

### 1. TECHNICAL CHARACTERISTICS

**Symbol :**



**Technology :**

. Mechanical « NO+NC » change-over switch

**Range :**

. Auxiliary 0.5 module (0.5x17.5mm) ref 4124 31

**Compatibility :**

. Auxiliary 4124 34 can be associated only with Contactors 40/63A

**Rated current :**

.  $I_n = 6 \text{ A} \sim$

**Rated voltage :**

.  $U_n = 250 \text{ V} \sim$

**Rated frequency :**

. 50 / 60 Hz

**Temperatures :**

. Operating temperature: from  $-5^\circ\text{C}$  to  $+40^\circ\text{C}$   
. Storage temperature: from  $-25^\circ\text{C}$  to  $+60^\circ\text{C}$

**Protection degree :**

. Terminal ingress protection : IP20 (device connected)  
. Front face ingress protection : IP40  
. Protection against mechanical shocks : IK02

### 1. TECHNICAL CHARACTERISTICS *(continued)*

**Isolation :**

.  $> 2.5 \text{ mm}$

**Endurance :**

. 100 000 operating cycles with no load  
. 30 000 operating cycles with AC12 load according EN 60947-5-1

**Moulded case material :**

. Polyamid

**Characteristics of the plastic material :**

. Resistance to glow wire according to IEC 695-2-1

**Weight :**

. 0.038 kg

**Packaged volume :**

. Volume :  $0.2 \text{ dm}^3$   
. packaged by one piece

### 2. INSTALLATION

**Installation software :**

. XL PRO

**Tools recommended :**

. For terminals : screwdriver, insulated or not, Pozidriv n° 1 or slotted 4 mm.

**Connection :**

. Type of terminal : cage terminals  
. Location to allow the passage of prong busbars  
. Terminal depth : 8 mm  
. Terminal capacity :  
-  $1 \times 2.5 \text{ mm}^2$  flexible (with or without ferrule) ou rigid cable ou  
-  $2 \times 1.5 \text{ mm}^2$  flexible (with or without ferrule) or rigid cables  
. Tightening torque : mini =  $0,4 \text{ Nm}$  // max. =  $0.8 \text{ Nm}$

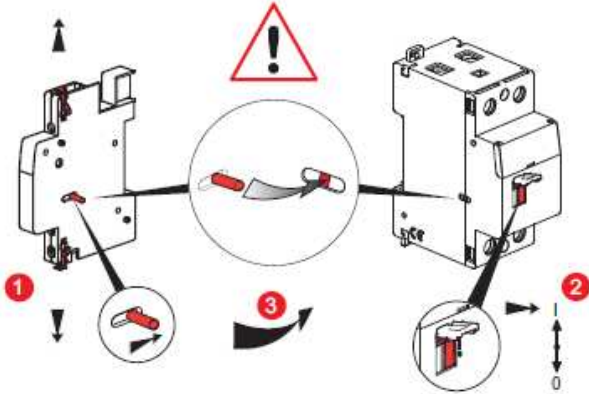
# Signalling auxiliary switch for contactors 40 A and 63 A

Référence(s) : 412 431

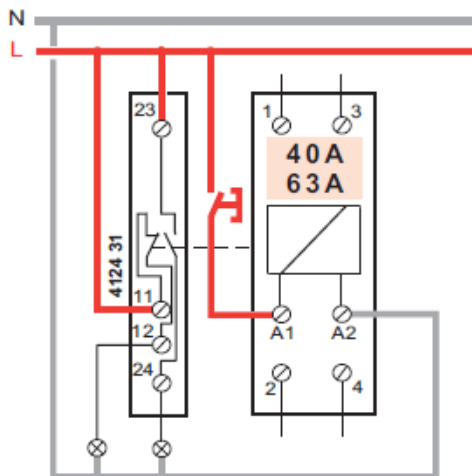
## 2. INSTALLATION (continued)

### Use:

- . Auxiliaries are fitted on Legrand Contactors 40/63A left side
- Only one auxiliary with the Contactor

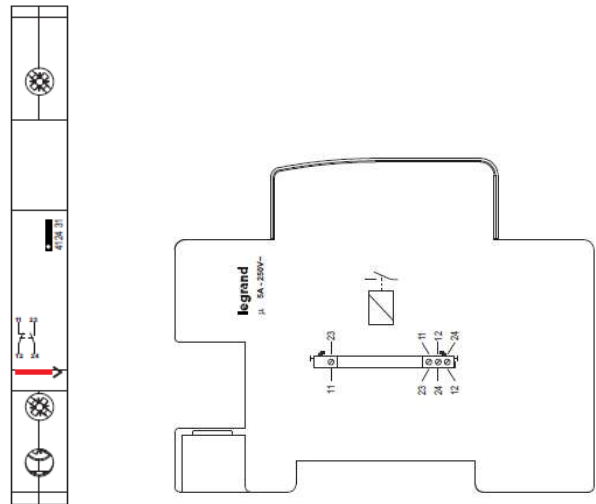


- Use to signal the position status of the contacts of the device with witch it is associated.



## 3. MARKING

- . Front face and side face, by permanent ink pas printing



## 4. OVERALL DIMENSIONS

