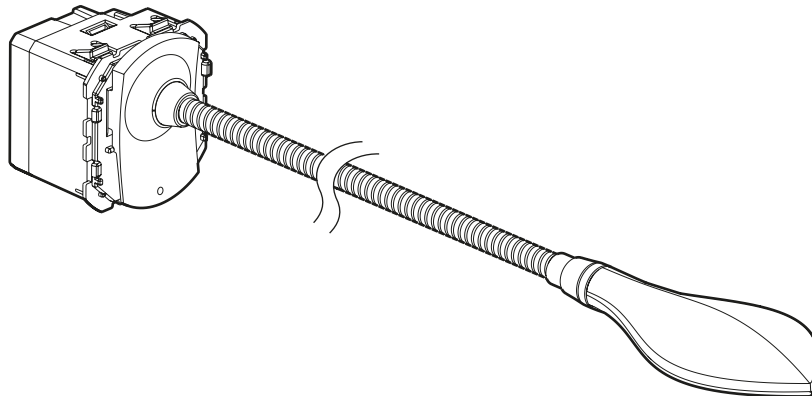


Céliane™ - Arteor™
LED lighting - Reading light

Cat. No(s): 0 676 56/57 - 5 722 56/57 - 5 727 56/57



0 676 56/57

1. USE

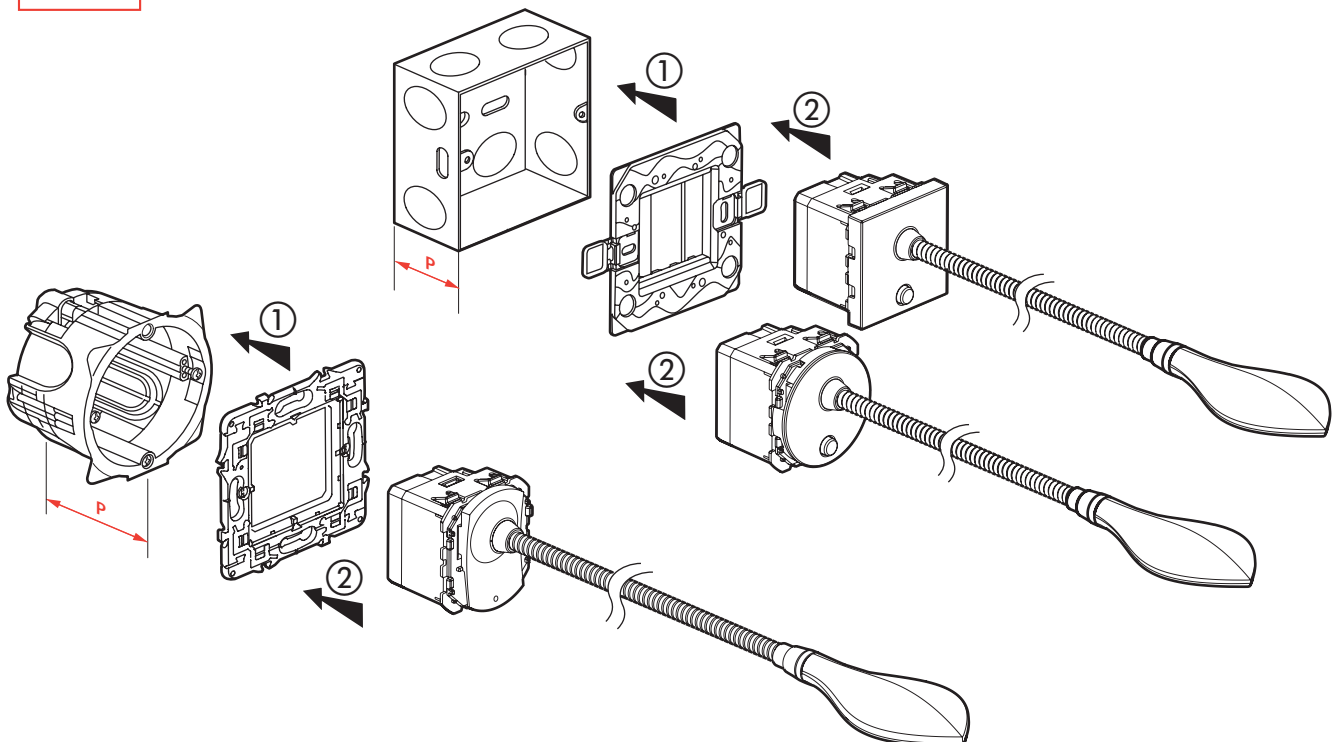
For specific directionnal lighting in harmony with Céliane or Arteor wiring devices ranges.

2. RANGE

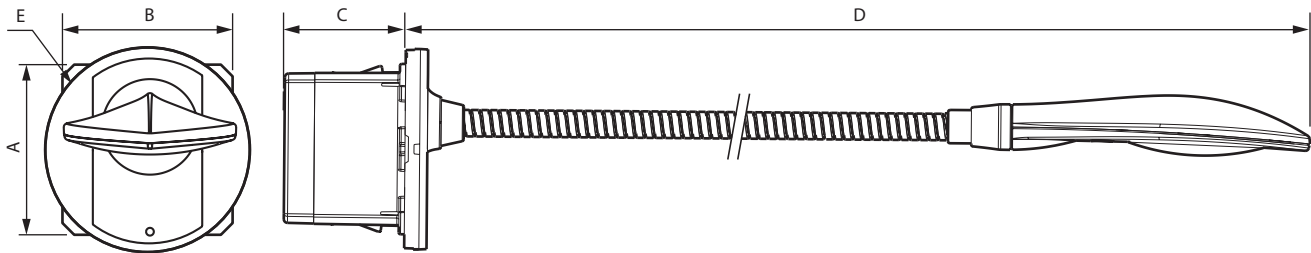
Description	Céliane		Arteor			
	White	Titane	White round	White square	Magnesium round	Magnesium square
Reading light: ideal for precise lighting headbed.	0 676 56	0 676 57	5 722 56	5 722 57	5 727 56	5 727 57

3. PREPARATION

P = 40 mm



4. OVERALL DIMENSIONS (mm)



Cat. Nos	A	B	C	D	Ø E	□ E
0 676 56 - 0 676 57	45	45	32	330	53	-
5 722 56 - 5 727 56	45	45	32	330	45	-
5 722 57 - 5 727 57	45	45	32	390	-	45 x 45

5. CONNECTION

Terminal capacity: 2 x 1.5 mm² or 2 x 2.5 mm²
 Connection type: with screws
 Screwdriver: Flat 3 mm
 Stripping length: 8 mm
 Tightening torque: 0.5 Nm

6. TECHNICAL CHARACTERISTICS

■ 6.1 Protection index

Penetration by solid bodies/liquid: IP 20 unassembled
 IP 40 assembled

Impact test: IK 04

■ 6.2 Material characteristics

Material:

- Cover: PC
 - Diffuser: PC
 - Painted cover, painted head reading light: ABS
 - Flexible: steel
- Halogen free.
 UV resistant.

Self-extinguishing:

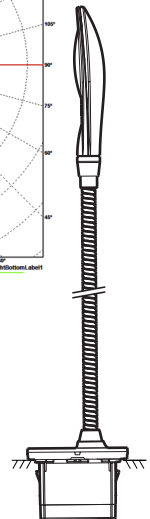
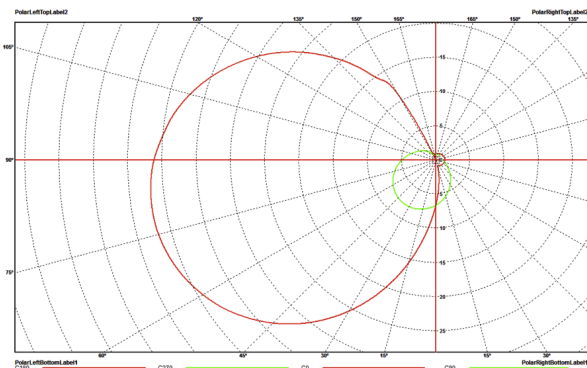
- + 850° C / 30 s for insulating parts holding live parts in place.
- + 650° C / 30 s for other parts made of insulating materials.

■ 6.3 Electrical characteristics

Voltage: 230 VAC
 Frequency: 50 Hz
 Current: 23 mA
 Luminous flux: 110 lm - Power input: 3.3 W
 Color temperature: 3,000 K, neutral white
 Product tested to 40,000 operations switching ON and OFF.
 Reading lights have their own controls "ON/OFF/DIMMING" integrated.

6. TECHNICAL CHARACTERISTICS (continued)

■ 6.4 Photoelectric characteristics



■ 6.5 Climatic characteristics

Storage temperature: - 25° C to + 45° C
 Use temperature: - 5° C to + 35° C

7. CLEANING

Surface cleaning with a cloth.
 Do not use: acetone, tar remover, trichloroethylene.

Caution: A preliminary test should be carried out if other specific cleaning products are to be used.

8. STANDARDS AND APPROVALS

- IEC 60598-1
- IEC 60598-2-2
- IEC 61547
- IEC 60669-2-1