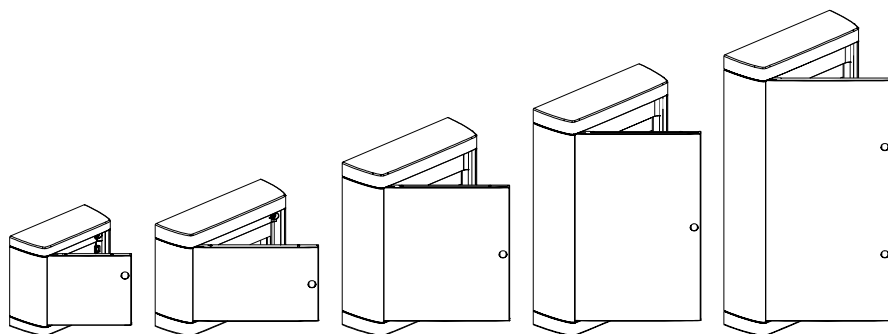


NEDBOX surface-mounting boxes

Cat. No(s) : 6 012 35/36/37/38/39/45/46/47/48/49/56/57/58/59 /61/62/63/64



CONTENTS

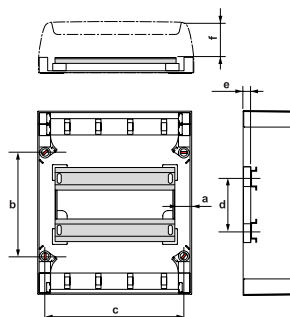
1. Range.....	1
2. Overall dimensions.....	1
3. Technical characteristics.....	2
4. Mounting.....	2
5. Accessories.....	3

1. RANGE

- Low voltage distribution boxes 63 A intended for housing and small commercial.

Référence	Nbre de modules	Nbre de rangées	Porte
6 012 35	8	1	White
6 012 36	12	1	White
6 012 37	24	2	White
6 012 38	36	3	White
6 012 39	42	4	White
6 012 45	8	1	Transparent
6 012 46	12	1	Transparent
6 012 47	24	2	Transparent
6 012 48	36	3	Transparent
6 012 49	48	4	Transparent
6 012 56	12	1	Metal
6 012 57	24	2	Metal
6 012 58	36	3	Metal
6 012 59	48	4	Metal
6 012 61	12	1	White
6 012 62	24	2	White
6 012 63	36	3	White
6 012 64	48	4	White

2. OVERALL DIMENSIONS (continued)

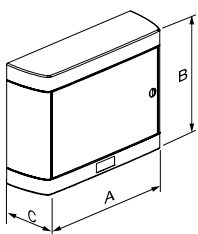


a	14	9	20	20	20
b	180	150	225	350	475
c	195	287	285	285	285
d	-	-	125	125	125
e	11	11	21	21	21
f	73	73	74	74	74

3. TECHNICAL CHARACTERISTICS

- White RAL 9010
- Protection index :
 - IP41 IK07 : 6 012 36/37/38/39/46/47/48/49/56/57/58/59
 - IP40 IK07 : 6 012 35/45
- Self-extinguishing 650° - VDE 750°
- Class II
- Conform to EN 60 439-3
- Max. current : 63 A
- Materials :
 - Bases and covers : polystyrene
 - Doors : polycarbonate - metal
 - Locks and screws : polyamide
 - Terminal strip : brass - steel - polycarbonate
 - Rail : steel

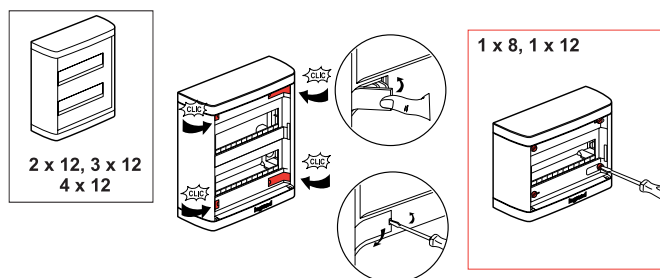
2. OVERALL DIMENSIONS



A	225	317	318	318	318
B	210	240	380	505	630
C	96	96	108	108	108

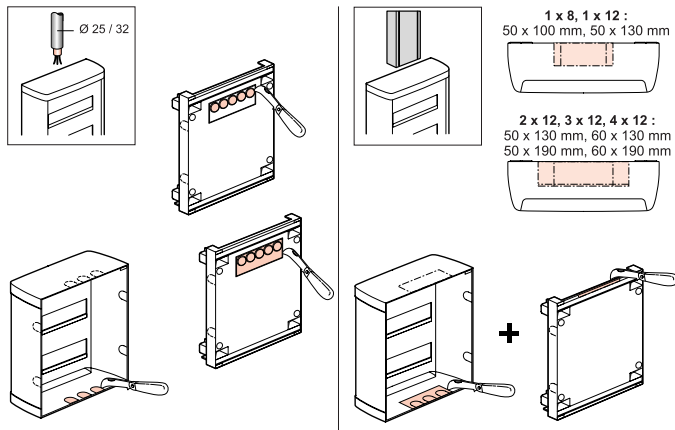
4. MOUNTING

- Sealing cover with accessory, fast locking from 2 x 12 modules, screw fixing for box 1 x 8 and 1 x 12 modules.

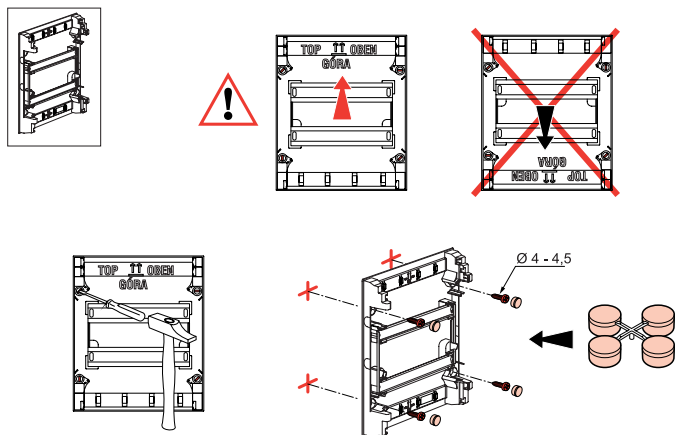


4. MOUNTING (continued)

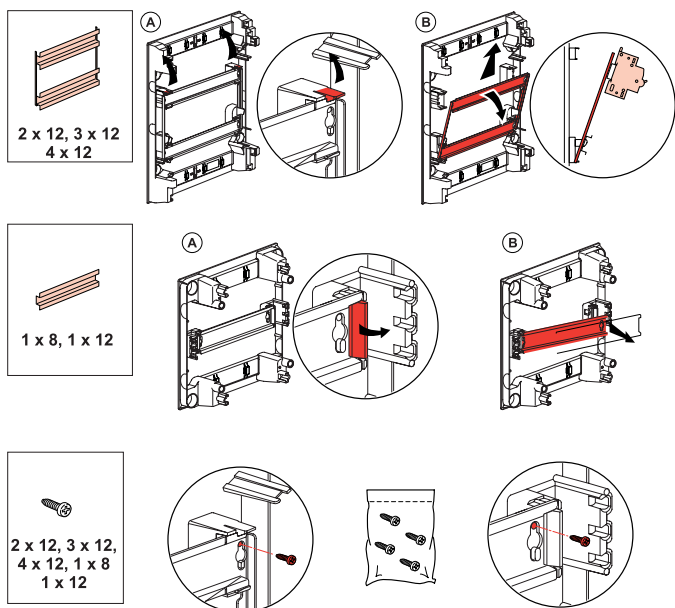
- Pre-cut part for cable routing on 5 surfaces and conduits on 2 surfaces.



- Protection cap for fixing screws (class II).

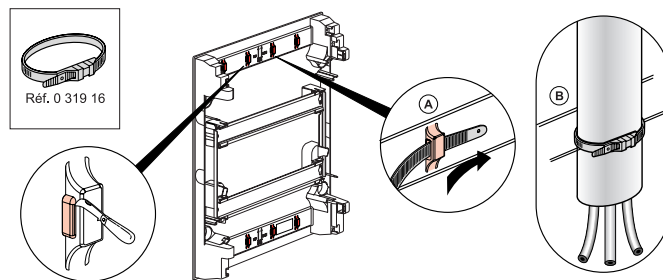


- Chassis can be clipped, removed and tipped. Chassis and rail fixing using the supplied screws.

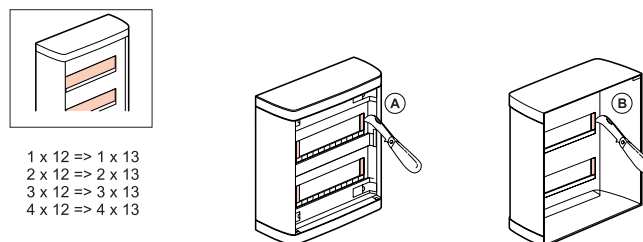


4. MOUNTING (continued)

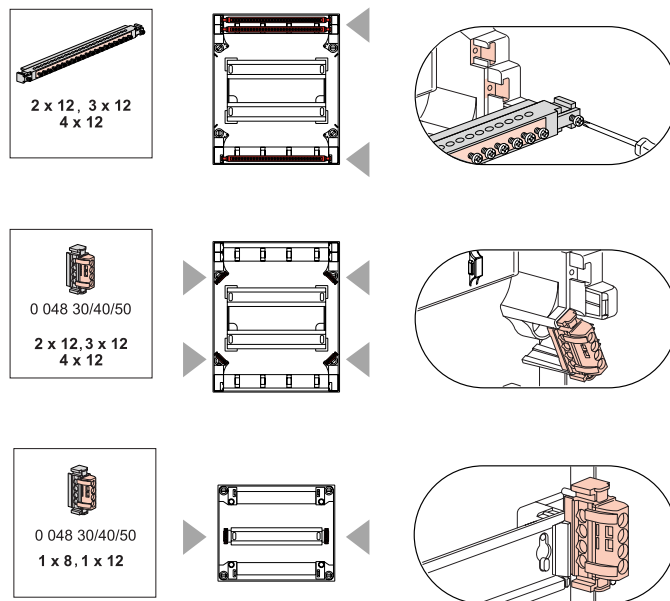
- Cables can be attached at the bottom of the box.



- Pre-cut part for 2 additional semi-modules per row.



- Supplied with Earth and Neutral terminal strips protected or IP 2 (VDE) according to markets. Additional terminal strips can be added.



4. MOUNTING (continued)

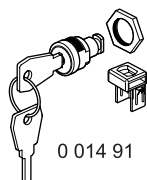
Composition of terminal blocks

Terminal blocks IP2

	N	T
6 012 35	$4 \times 16^2 + 4 \times 10^2$	$4 \times 16^2 + 4 \times 10^2$
6 012 36	$6 \times 16^2 + 6 \times 10^2$	$2 \times (3 \times 16^2 + 3 \times 10^2)$
6 012 37	$11 \times 16^2 + 11 \times 10^2$	$3 \times (4 \times 16^2 + 4 \times 10^2)$
6 012 38	$15 \times 16^2 + 15 \times 10^2$	$4 \times (4 \times 16^2 + 4 \times 10^2)$
6 012 39	$19 \times 16^2 + 19 \times 10^2$	$5 \times (4 \times 16^2 + 4 \times 10^2)$
6 012 45	$4 \times 16^2 + 4 \times 10^2$	$4 \times 16^2 + 4 \times 10^2$
6 012 46	$6 \times 16^2 + 6 \times 10^2$	$2 \times (3 \times 16^2 + 3 \times 10^2)$
6 012 47	$11 \times 16^2 + 11 \times 10^2$	$3 \times (4 \times 16^2 + 4 \times 10^2)$
6 012 48	$15 \times 16^2 + 15 \times 10^2$	$4 \times (4 \times 16^2 + 4 \times 10^2)$
6 012 49	$19 \times 16^2 + 19 \times 10^2$	$5 \times (4 \times 16^2 + 4 \times 10^2)$
6 012 56	$6 \times 16^2 + 6 \times 10^2$	$2 \times (3 \times 16^2 + 3 \times 10^2)$
6 012 57	$11 \times 16^2 + 11 \times 10^2$	$3 \times (4 \times 16^2 + 4 \times 10^2)$
6 012 58	$15 \times 16^2 + 15 \times 10^2$	$4 \times (4 \times 16^2 + 4 \times 10^2)$
6 012 59	$19 \times 16^2 + 19 \times 10^2$	$5 \times (4 \times 16^2 + 4 \times 10^2)$
6 012 61	8×16^2	$2 \times (4 \times 16^2) + 8 \times 16^2$
6 012 62	$1 \times 25^2 + 16 \times 16^2$	$3 \times (8 \times 16^2)$
6 012 63	$1 \times 25^2 + 21 \times 16^2$	$2 \times (8 \times 16^2) + (1 \times 25^2 + 12 \times 16^2)$
6 012 64	$1 \times 25^2 + 26 \times 16^2$	$32 \times (8 \times 16^2) + (1 \times 25^2 + 12 \times 16^2)$

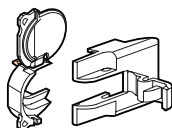
5. ACCESSORIES

- Cat. No. 0 014 91 - Lock



0 014 91

- Cat. No. 0 013 89 - Sealing kit



0 013 89

- Cat. No. 0 048 30 - Earth terminal block

- Cat. No. 0 048 40 - Neutral terminal block

- Cat. No. 0 048 50 - Phase terminal block