

CONTENTS	Pages
1. Description, use	1
2. Range	1
3. Overall dimensions	2
4. General characteristics	2
5. Setting in situation.....	4
6. Conformity and approvals.....	4
7. Equipments and accessories	4

1. DESCRIPTION, USE

- Weatherproof PLEXO3 IP65 cabinets from 2 to 4x18 modules.
- . Impact-resistant reinforced polystyrene material
 - . Removable chassis and faceplates from two-row versions upwards
 - . Two-position rail for modular products and moulded boxes
 - . Spacing between rails: 150 mm
 - . Accommodates perforated plates and plain faceplates for mounting of non-modular products
 - . Fixing of complete Plexo programme flush-mounted on the side of the cabinet from two-row versions upwards
 - . Lockable door handle, tamper-evident cover and faceplate
 - . Door and cabinet totally reversible
 - . Direct perforation entry glands supplied

2. RANGE

■ 2.1 Cabinets without terminal block

Cat. Nos	Number of rows	Number of modules
6 019 32	1	2 (+1)
6 019 94	1	4
6 019 96	1	6
6 019 98	1	8
6 018 31	1	12
6 018 32	2	24
6 018 33	3	36
6 018 35	1	18
6 018 36	2	36
6 018 37	3	54
6 018 38	4	72

■ 2.2 Cabinets with earth terminal block supplied

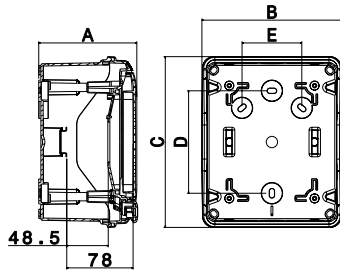
Cat. Nos	Number of rows	Number of modules
6 019 54	1	4
6 019 56	1	6
6 019 58	1	8
6 019 61	1	12
6 019 62	2	24
6 019 63	3	36
6 019 65	1	18
6 019 66	2	36
6 019 67	3	54
6 019 68	4	72

■ 2.3 Cabinets with earth + neutral terminal block supplied

Cat. Nos	Number of rows	Number of modules
6 019 74	1	4
6 019 76	1	6
6 019 78	1	8
6 019 81	1	12
6 019 82	2	24
6 019 83	3	36
6 019 85	1	18
6 019 86	2	36
6 019 87	3	54
6 019 88	4	72

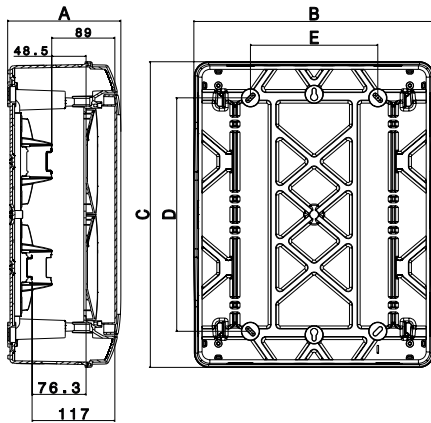
3. OVERALL DIMENSIONS

■ **3.1 Two to eight modules cabinets**



Cat. Nos	Dimensions (mm)				
	A	B	C	D	E
6 019 32	109	93	174	94	-
6 019 54/74/94	115.6	128	200	120	-
6 019 56/76/96	115.6	164	200	120	70
6 019 58/78/98	115.6	200	200	120	106

■ **3.2 Twelve to eighteen-modules cabinets**



Cat. Nos	Dimensions (mm)				
	A	B	C	D	E
6 018 31 6 019 61/81	141	340	282	180	180
6 018 32 6 019 62/82	161	340	432	330	180
6 018 33 6 019 63/83	161	340	622	480	180
6 018 35 6 019 65/85	141	448	282	180	290
6 018 36 6 019 66/86	161	448	432	330	290
6 018 37 6 019 67/87	161	448	622	480	290
6 018 38 6 019 68/88	161	448	822	680	290

4. GENERAL CHARACTERISTICS

■ **4.1 Technical characteristics**

- . Box colour : light grey L750A
- . Cover colour : dark grey RAL 7046
- . Door colour : transparent blue
- . Protection index : IP65 - IK09
- . Self-extinguishing : 650°C
- . Class II double insulation
- . Rated operating voltage : 400 V AC – 50/60 Hz
- . Rated insulation voltage : 400 V AC – 50/60 Hz
- . Short-circuit current: 10 kA
- . Storage and installation temperature:
 - Two to eight modules cabinets : -15°C to +55°C (+70°C/24 H)
 - Twelve to eighteen modules cabinets : -25°C to +55°C (+70°C/24 H)
- . Operating temperature : -25°C to 40°C
- . Max. permitted current :
 - 6 019 32/94/96/74/76/54/56: 32 A
 - 6 019 38/98/78/58: 40 A
 - 6 018 31/35, 6019 81/85/61/65: 63 A
 - 6 018 32/33/36, 6019 82/83/86/62/63/66: 90 A
 - 6 018 37/38, 6019 87/88/67/68: 125 A
- . Permissible loads : 40N per row

Cat. Nos	Max permissible current	Dissipated power (Pde)
6 019 32	32 A	7 W
6 019 54/74/94	32 A	10 W
6 019 56/76/96	32 A	12 W
6 019 58/78/98	40 A	15 W
6 018 31 6 019 61/81	63 A	25 W
6 018 32 6 019 62/82	90 A	32 W
6 018 33 6 019 63/83	90 A	48 W
6 018 35 6 019 65/85	63 A	37 W
6 018 36 6 019 66/86	90A	40 W
6 018 37 6 019 67/87	125 A	65 W
6 018 38 6 019 68/88	125 A	67 W

■ **4.2 Materials**

- . Box, cover, rail brackets, terminal brackets, hinge cover and faceplate : impact reinforced polystyrene
- . Door : transparent polycarbonate
- . Handle and door identifier indicator light : polycarbonate
- . Handle bar : glassfibre-reinforced polycarbonate
- . Entry glands : polypropylene + SEBS
- . Cover/box screws and springs : stainless steel
- . Other screws : zinc-coated steel
- . Rails : galvanised steel

■ 4.3 Number of knockouts

The cabinet has the same number of knockouts on the top and the bottom and on the left and the right.

Cat. Nos	Number of knockouts (top / bottom)			Number of membrane glands supplied		
	Ø20 mm	Ø25 mm	Ø32 mm	Ø20 mm	Ø25 mm	Ø32 mm
6 019 32	2	-	-	2	-	-
6 019 54/74	2	1	-	2	1	-
6 019 94	2	1	-	-	-	-
6 019 56/76	4	1	-	4	1	-
6 019 96	4	1	-	-	-	-
6 019 58/78	6	1	-	6	1	-
6 019 98	6	1	-	-	-	-
6 018 31	7	2	2	-	-	-
6 019 61/81	7	2	2	7	2	1
6 018 32	13	2	2	-	-	-
6 019 62/82	13	2	2	13	2	1
6 018 33	13	2	2	-	-	-
6 019 63/83	13	2	2	13	2	1
6 018 35	12	2	3	-	-	-
6 019 65/85	12	2	3	11	2	1
6 018 36	13	4	3	-	-	-
6 019 66/86	13	4	3	13	2	1
6 018 37	13	4	3	-	-	-
6 019 67/87	13	4	3	13	4	1
6 018 38	13	4	3	-	-	-
6 019 68/88	13	4	3	13	4	1

Cat. Nos	Number of knockouts (left / right)		
	Ø20 mm	Ø32 mm	Assembly socket outlet Plexo
6 019 32	-	-	-
6 019 54/74/94	2	-	-
6 019 56/76/96	2	-	-
6 019 58/78/98	2	-	-
6 018 31 6 019 61/81	-	2	-
6 018 32 6 019 62/82	-	3	2
6 018 33 6 019 63/83	-	4	2
6 018 35 6 019 65/85	-	2	-
6 018 36 6 019 66/86	-	3	2
6 018 37 6 019 67/87	-	4	2
6 018 38 6 019 68/88	-	5	2

■ 4.4 Terminal blocks capacity

Cabinets without terminal blocks

Cat. Nos	6 018 31/32/33/35/36/37/38 6 019 32 6 019 94/96/98
----------	--

Cabinets with earth terminal block supplied

Cat. Nos	IP 2X Terminal blocks	
	Screw terminals Earth 1.5 - 16 mm ²	6 - 25 mm ²
6 019 54	4	-
6 019 56	4	-
6 019 58	8	-
6 019 61	12	1
6 019 62	16	1
6 019 63	21	1
6 019 65	16	1
6 019 66	21	1
6 019 67	26	1
6 019 68	34	1

Cabinets with earth + neutral terminal block supplied

Cat. Nos	IP 2X Terminal blocks			
	Screw terminals Earth 1.5 - 16 mm ² 6 - 25 mm ²		Screw terminals Neutral 1.5 - 16 mm ² 6 - 25 mm ²	
6 019 74	4	-	4	-
6 019 76	4	-	4	-
6 019 78	8	-	8	-
6 019 81	12	1	12	1
6 019 82	16	1	16	1
6 019 83	21	1	21	1
6 019 85	16	1	16	1
6 019 86	21	1	21	1
6 019 87	26	1	26	1
6 019 88	34	1	34	1

■ 4.5 Number of blanking plates 5 modules

Cabinets without blanking plates

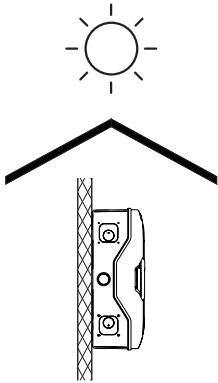
Cat. Nos	6 018 31/32/33/35/36/37/38 6 019 32 6 019 54/56/58/74/76/78 6 019 94/96/98
----------	---

Cabinets with blanking plates supplied

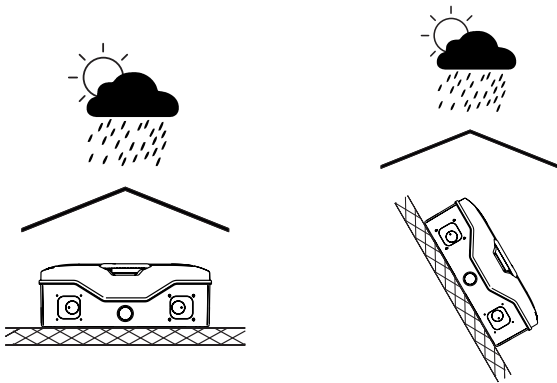
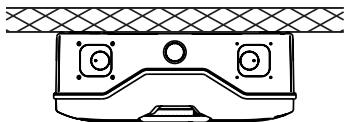
Cat. Nos	Number of blanking plates 5M
6 019 61/65/81/85	1
6 019 62/63/66/82/83/86	2
6 019 67/68/87/88	3

5. SETTING IN SITUATION

5.1 Vertical positioning



5.2 Horizontal / sloping positioning



6. CONFORMITY AND APPROVALS

CEI 62 208 edition august 2011
CEI 60 695-2-11 edition february 2014 (fire resistance)
CEI 62 262 edition february 2002 (impact resistance IK)
RoHS
WEEE
REACH

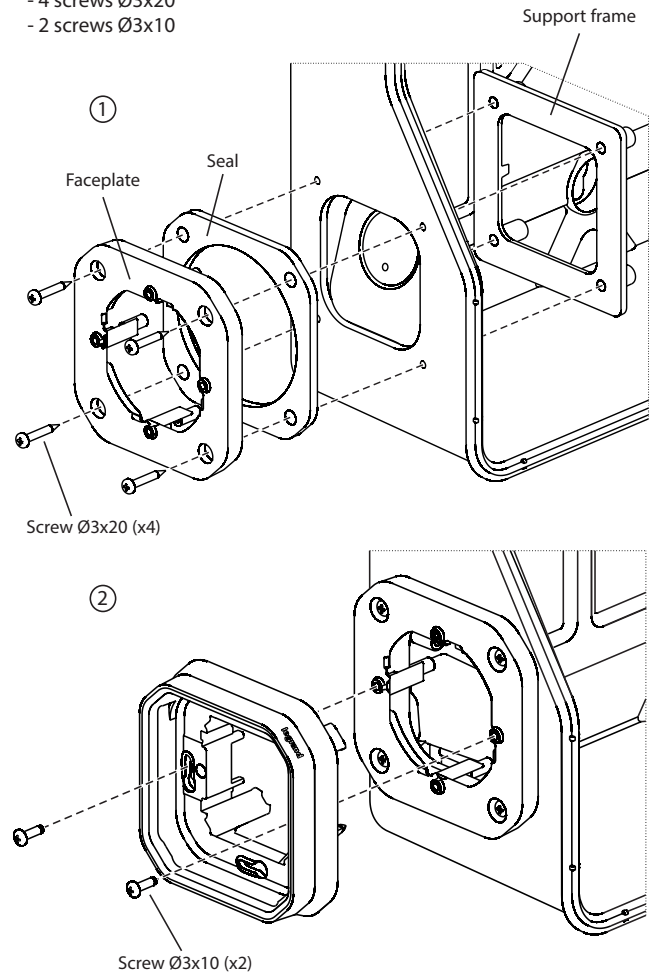
7. EQUIPMENTS AND ACCESSORIES

7.1 Plate for fixing flush-mounted Plexo wiring devices

Cat. No. 001971

Composed of :

- 1 support frame
- 1 seal
- 1 faceplate
- 4 screws Ø3x20
- 2 screws Ø3x10



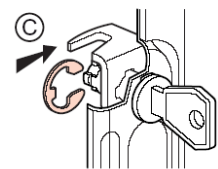
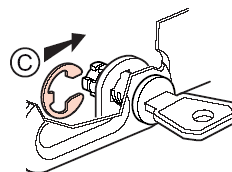
7.2 Key lock

Cat. No. 001966

Key lock no. 850

2 to 8 modules cabinets

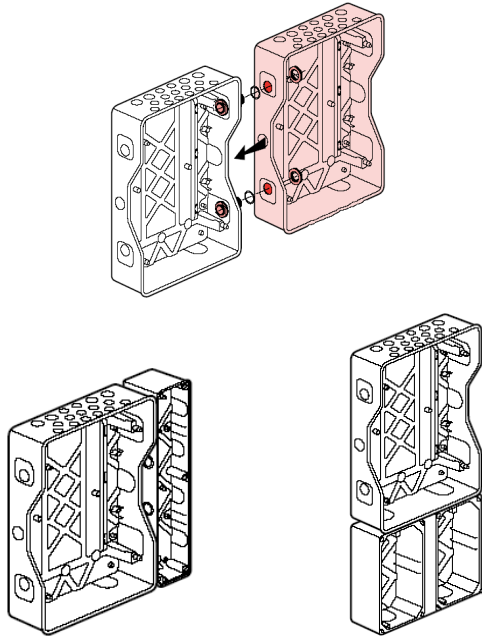
12 and 18 modules cabinets



■ 7.3 Joining kit

Cat. No. 001967

Used to run cables between two cabinets or horizontal or vertical multifunction sleeves, while maintaining IP65 protection. Composed of 2 joining kits, 4 nuts and 4 seals.

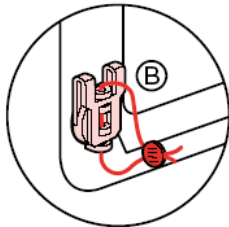


■ 7.4 Sealing kit

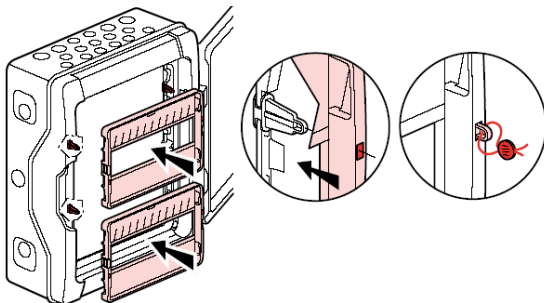
Cat. No. 001968

Set of two sealable terminal shields for covers and eight sealable brackets for faceplates.

- Sealable terminal shields for covers

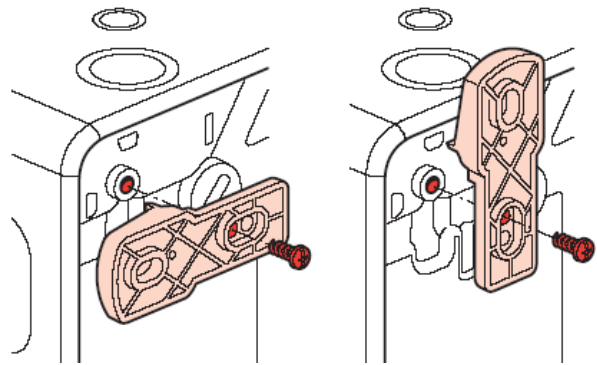


- Sealable brackets for faceplates



■ 7.5 Set of four wall mounting lugs

Cat. No. 001969

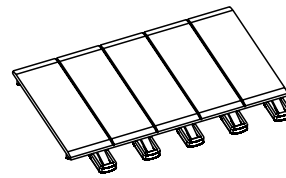


Two modules cabinets: vertical only.

■ 7.6 Blanking plates

Cat. No. 001961

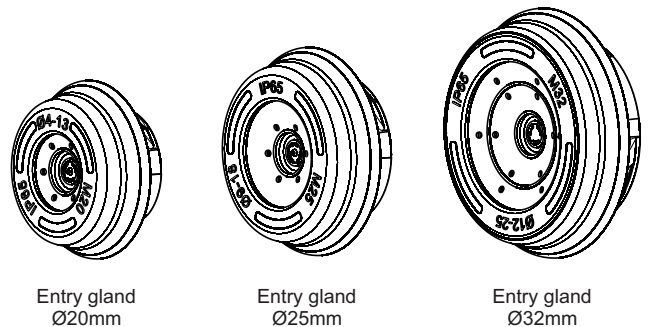
Set of five, separable into modules or half-modules, dark grey RAL 7046.



■ 7.7 Direct perforation entry glands

These entry glands maintain the cabinet's IP65 and IK09 ratings.

Cat. Nos	Number of entry glands supplied		
	Ø20 mm	Ø25 mm	Ø32 mm
0 019 55	10	5	2
0 019 56	100	-	-
0 019 57	-	100	-
0 019 58	-	-	100



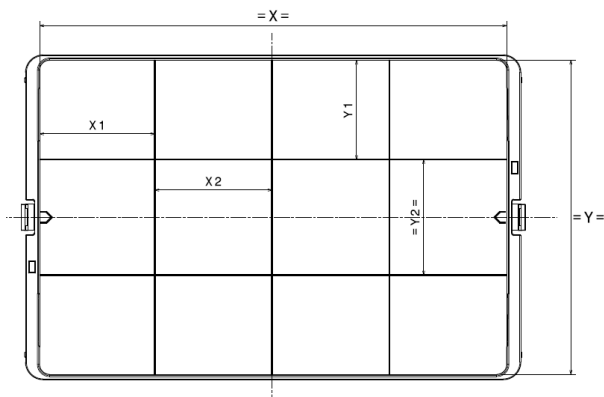
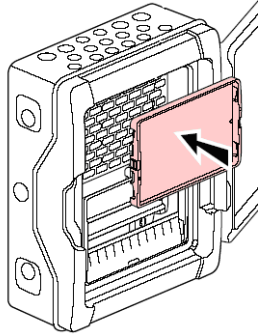
■ 7.8 Plain faceplates

Cat. No. 0 019 64

For 12 modules cabinets from 2 rows

Cat. No. 0 019 65

For 18 modules cabinets from 2 rows

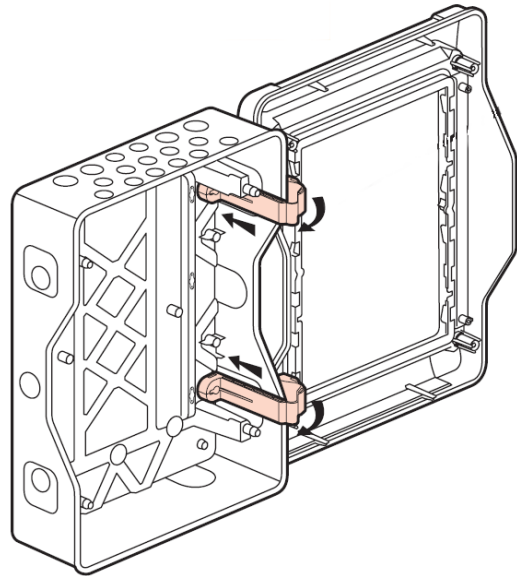


Cat. Nos.	X	X1	X2	Y	Y1	Y2
0 019 64	215	53	54	145	45	53
0 019 65	324	53	54	145	45	53

■ 7.9 Hinges

Cat. No. 0 019 70

Set of 2 hinges connecting the back of the cabinet to the cover.



■ 7.10 Perforated plates supplied with four fixing screws

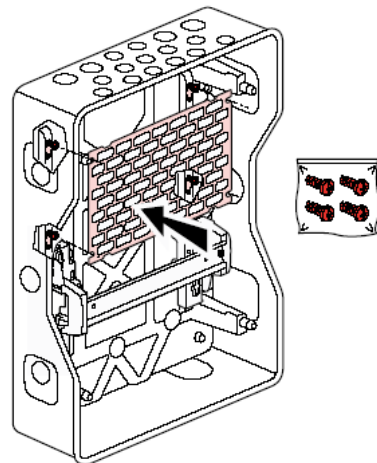
Cat. No. 0 019 62

For 12 modules cabinet, height 150 mm

Cat. No. 4 018 53

For 18 modules cabinet, height 150 mm

Used to replace the DIN rail with a LINA 25 plate to incorporate non-modular products.



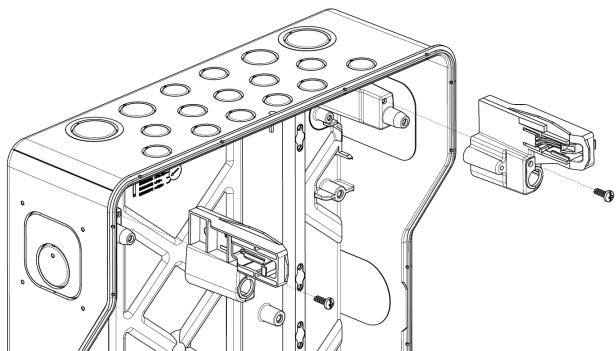
■ 7.11 Terminal block supports

Cat. No. 0 019 72

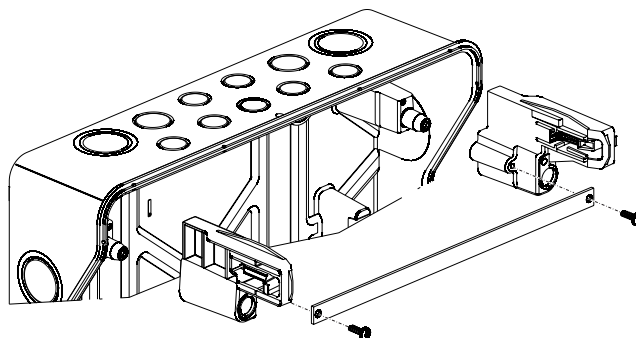
Terminal block support for 1 and 2 rows cabinets, 12 and 18 modules per row

Cat. No. 0 019 73

Terminal block support for 3 and 4 rows cabinets, 12 and 18 modules per row



Mounting on terminal block support



■ 7.12 Empty terminal block support

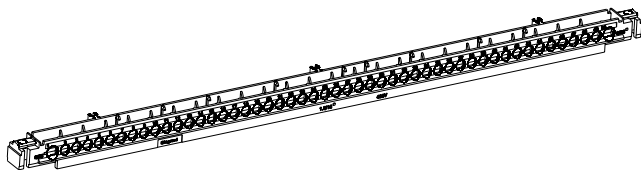
Cat. No. 0 048 17

Empty support 35 holes (length 276 mm) for 12 modules cabinets

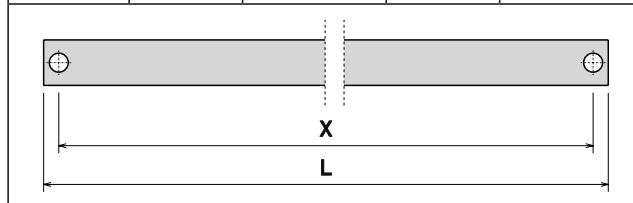
Cat. No. 4 048 21

Empty support 50 holes (length 385 mm) for 18 modules cabinets

Take unprotected screw terminal blocks



Width of cabinet	Length L (mm)		Distance between centres X (mm)	
	On cabinet	On terminal block support	On cabinet	On terminal block support
12 modules	280	248	260	240
18 modules	380	355	368	348



■ 7.13 Flat bar 12x2

Cat. No. 0 048 19

Flat bar 12x2 used to receive IP 2X terminal blocks.

Can be used in 12 and 18 modules cabinets from 1 to 4 rows.

Assembled by screwing directly on cabinet or on terminal block support.

Dimensions of screw to assembly on flat bar :

Thread diameter : Ø4 mm

Max. length under head : 12 mm

Mounting directly on cabinet

