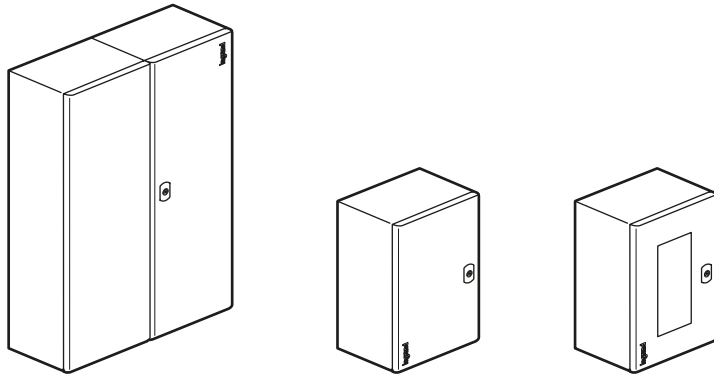


Atlantic cabinets

Cat. Nos: 0369 10/11/12/13/17/18/19/20/21/25/26/27/28/29/
30/31/32/33/36/37/38/39/40/41/42/43/44/45/46/
47/48/49/50/51/55/56/57/59/60/62/64/68/72/74/
75/76/77/78/79/80/81




CONTENTS

Page

1. General characteristics	1
2. Range	1
3. Technical characteristics	2
4. Heat dissipation capacity	3
5. Dimensions	4
6. Equipment	6
7. Accessories	14

1. GENERAL CHARACTERISTICS

- Metal cabinets made of textured polyester coated steel, 80 µm thick.
- RAL 7035
 - IP 55 (2 doors), IP 66 (1 door) according to standard IEC EN 60529
 - IK 10 according to standard IEC EN 62262 (EN 50102)
 - Approval:  LISTED on solid doors
 - Bureau Veritas approval
 - Conforming to Nema 4x, Nema 12 (1 door), Nema 12 (2 doors)
 - For creating assemblies conforming to standards IEC 61436-1/01-2009
 - Height (mm): 300/400/500/600/700/800/1000/1200/1400.
 - Width (mm): 200/300/400/500/600/800/1000/1200.
 - Depth (mm): 160/200/250/300/400.
 - Dimensions: vertical, square, horizontal.
 - Reversible doors. Hinges and pins treated with high-performance anti-corrosion coating.
 - Double bar lock.
 - Supplied with solid plate (except glass doors).
 - Equipment fixed directly at the back of the cabinet (self-centering equipment).
 - Optional equipment adjustment from height 600 mm x width 600 mm and depth 250 mm upwards.
 - Bottom cable entry plate with symmetrical fixing except for depth 160 mm.
 - Increased protection with roof.
 - Cabinets fixed with lugs, on plinth or stand.
 - Polyurethane gasket.
 - Glass door with coloured toughened glass window.
 - EMC attenuation 20 dB.

2. RANGE

To meet the requirements of your projects, the bespoke solutions service offers, from 400x300x160 mm to 1800x1100x350 mm, special drill hole sizes on all the cabinet sections, 180 extra RAL colours and equipment assembly.

RAL 7035 cabinets

- **Vertical version** (external dimensions designated* in mm)

Cat. No.	Height	Width	Depth	No. of doors	Weight (kg)	
0 369 10 ⁽¹⁾	300	200	160	1	3,739	
0 369 12 ⁽¹⁾	400	300		1	6,147	
0 369 13 ⁽¹⁾	500	400		1	9,71	
0 369 17	400	300	200	1	6,767	
0 369 18	500	400		1	10,6	
0 369 19	600			1	12	
0 369 20		500		1	16,6	
0 369 21	700	1		18,4		
0 369 25	500	400	250	1	11,278	
0 369 26	600			1	12,8	
0 369 30	700			1	19,6	
0 369 31	800	600		1	26,6	
0 369 32	1000			1	36,2	
0 369 33		800	1	46,8		
0 369 37	800	600	300	1	28,6	
0 369 38	1000			1	37,8	
0 369 39		800		1	50,5	
0 369 42	1200	600		1	47	
0 369 43		800		1	62,2	
0 369 44	800	600	400	1	36,8	
0 369 45	1000			1	62,3	
0 369 46	1200			800	1	76
0 369 50	1400				1	80,9

(1) Without opening

*: designated dimensions. See section 5 for overall dimensions

2. RANGE (CONTINUED)

RAL 7035 cabinets (continued)

• Square version (external dimensions designated* in mm)

Cat. No.	Height	Width	Depth	No. of doors	Weight (kg)
0 369 51 ⁽¹⁾	300	300	160	1	4,933
0 369 55			200		5,567
0 369 57	400	400	200		8,27
0 369 59	500	500	200		19,8
0 369 62	500	500	250		17,8
0 369 64	600	600	250		25,3
0 369 68	800	800	300		47,1
0 369 72	600	600	400		29,6

(1) Without opening

*: designated dimensions. See section 5 for overall dimensions

• Horizontal version (external dimensions designated* in mm)

Cat. No.	Height	Width	Depth	No. of doors	Weight (kg)	
0 369 11 ⁽¹⁾	300	400	160	1	6,092	
0 369 75	300		200		14,1	
0 369 76	400	600	200		14,8	
0 369 77			250		16,3	
0 369 78	600	800	300	2	32,6	
0 369 79		1000			45,1	
0 369 80	800	1200		300	2	53,6
0 369 81	1000					80,6

(1) Without opening

*: designated dimensions. See section 5 for overall dimensions

• With glass door (external dimensions designated* in mm)

Coloured toughened glass

Vertical version						Window dimensions (mm)	
Cat. No.	Height	Width	Depth	No. of doors	Weight (kg)	Height	Width
0 369 27	400	300	200	1	5.7	300	128
0 369 28	500	400		1	8.4	400	228
0 369 29	600		400	200	1	9.8	500
0 369 36		1			10.6	228	
0 369 40	700	500	250	1	18.6	600	328
0 369 41	800	600	300	1	23.1	700	428
0 369 47				1	23.5		
0 369 48	1000	600	300	1	31.9	850	628
0 369 49				1	38.2		
0 369 56	1200	800	400	1	48.7	960	628
0 369 60	1400	800	400	1	53.7	1160	628
Square version							
0 369 74	600	600	250	1	17.2	500	428

*: designated dimensions. See section 5 for overall dimensions

3. TECHNICAL CHARACTERISTICS

■ 3.1 Structure

Steel.

Surround: 1.3 mm thick.

Back (H x W): 0.8 thick for cabinet ≤ 600 x 400 and 1.3 thick for cabinet ≥ 600 x 600.

■ 3.2 Door

Steel.

Thickness: 1.2 mm to 1.8 mm depending on dimensions.

■ 3.3 Index of protection

- IP 55 (2 doors) in accordance with standard IEC EN 60529.

Protection against water jets from any direction.

- IP 66 (1 door) in accordance with standard IEC EN 60529.

Unlimited protection against dust and heavy seas.

- IK 10 in accordance with IEC EN 62262 (EN 50102).

■ 3.4 Mechanical strength

- Max. load: 500 kg/m³

- Max. load on door: 5 kg per 100 mm in height.

- Max. static load for set of 4 fixing lugs:

Cat. Nos. 0 364 01/04: 300 kg.

- Fixed on stands Cat. Nos. 0 364 36/37 conforming to standard EN 50125-3.

(Rail applications, fixed installations).

■ 3.5 Resistance to climatic conditions

- Excellent UV resistance - ISO 4892-2 method 500 hrs.

- Salt spray in accordance with ISO 9227, EN 60068- 2-11: 1000 hrs.

- Sulphur dioxide SO₂ with ISO 6988 condensation: 500 hrs.

- Degree of rusting after test RI 1 ISO 4628/1.

- Operating temperature: - 25°C to +70°C (+100°C peak).

■ 3.6 Fire behaviour

- Resistance to incandescent wire in accordance with IEC EN 60695-2-11: 960°C.

■ 3.7 Properties of the polyester coating

• Polyester coated steel

Application of an 80 µm thick coating of pure polyester by electrostatic dusting.

Coating resistance according to tests

Mechanical characteristics:

- Adhesion according to EN ISO 2409: class 0 to 1.

- Bending on plain mandrel EN ISO 1519: 6 mm no cracks.

- Stamping EN ISO 1520: 8 mm.

- Impact strength EN ISO 6272-1: 1 kg - 50 cm.

Coating process

Main steps in the process:

- Phosphate coating: the layer of iron phosphate encourages adhesion of the coating

- Neutralisation

- Passivation

- Neutralisation.

• Touching-up polyester

Aerosol paint can:

0 365 97 RAL 7035

0 365 98 RAL 7032

Touch-up brushes:

Used to protect the sheet steel after cutting.

Anticorrosion paint.

0 365 91 RAL 7035

Other colours on request.

3. TECHNICAL CHARACTERISTICS (CONTINUED)

■ 3.8 Resistance to chemical agents

Resistance at ambient temperature related to a risk of exposure by spraying.

Aqueous solutions	Cold water	++	
	Hot water	+	
	Steam	-	
	5% saline solution	+	
	Hydrogen peroxide	-	
	Water + washing powder	+	
	Water + surfactants	+	
	Formaldehyde	-	
Alcohols	Ethanol	+	
	Methanol	+	
	Propanol	+	
	Butanol	+	
Phenols		-	
Cresols		-	
Bases	Ammonia	+	
	Sodium hydroxide (soda)	+	
	Sodium hypochlorite (12° bleach)	+	
	Potassium hydroxide (potash)	+	
Strong oxidizing acids	Concentrated acetic acid	+	
	5% nitric acid	+	
	30% sulphuric acid	+	
	30% hydrochloric acid	+	
	70% perchloric acid	++	
	70% hydrofluoric acid	--	
	50% chromic acid	-	
	30% phosphoric acid	+	
Weak acids	Diluted acetic acid < 25%	+	
	Citric acid	++	
	Lactic acid	++	
	Formic acid	+	
	Uric acid	+	
Oils and greases	Of animal origin	Lard	++
		Butter, cream	++
	Of vegetable origin	Linseed oil	++
		Groundnut/Olive oil	++
		Castor oil	++
		Glycerin	+
	Of mineral origin	Paraffin (Vaseline)	++
		Automotive engine oils	+
		Silicone oils	++
		Cutting oils	++
		Hydraulic oils	+

3. TECHNICAL CHARACTERISTICS (CONTINUED)

■ 3.8 Resistance to chemical agents (continued)

Hydrocarbons	Lead-free petrol	+
	Diesel	++
	Kerosene	++
	White spirit	++
Chlorinated solvents	Trichloroethylene	--
	Trichlorethane	-
	Perchloroethylene	--
	Methylene chloride	--
	Carbon tetrachloride	--
	Chloroform	-
Aromatic solvents	Benzene	+
	Toluene	-
	Xylene	+
Aliphatic solvents	Hexane	++
	Heptane	++
Fluorinated solvents	Trichlorofluoromethane	--
Ketones	Acetone	-
	Methyl ethyl ketone	-
	Ethyl acetate	-
Terpenes	Turpentine	-

++: Excellent resistance (continuous exposure)

+: Good resistance (lasting exposure)

-: Limited resistance (brief exposure possible)

--: Poor resistance (exposure to be avoided)

4. HEAT DISSIPATION CAPACITY

Testing the max. capacity of a cabinet to dissipate heat according to standard IEC 62208-1.

Configuration 1 (C1):

All outer surfaces of the cabinet are clear and not in contact with anything (floor standing, on stand or frame for example).

Configuration 2 (C2):

The rear surface is in contact with a wall, all other surfaces are clear (standard case of wall mounting for example).

For other installation configurations, please consult us.

Cat. No.	Dimensions H x W x D	Delta T (K)	Max. power that can be dissipated (W)	Configuration
0 369 10	300 x 200 x 160	30	40	C1
			33	C2
0 369 12	400 x 300 x 160	30	67	C1
			52	C2
0 369 13	500 x 400 x 160	30	99	C1
			74	C2
0 369 17	400 x 300 x 200	30	75	C1
			60	C2
0 369 18	500 x 400 x 200	30	109	C1
			84	C2
0 369 19	600 x 400 x 200	30	127	C1
			96	C2
0 369 20	600 x 500 x 200	30	150	C1
			112	C2
0 369 21	700 x 500 x 200	30	170	C1
			126	C2
0 369 25	500 x 400 x 250	30	122	C1
			97	C2
0 369 26	600 x 400 x 250	30	141	C1
			111	C2

4. HEAT DISSIPATION CAPACITY (CONTINUED)

Cat. No.	Dimensions H x W x D	Delta T (K)	Max. power that can be dissipated (W)	Configuration
0 369 30	700 x 500 x 250	30	187	C1
			143	C2
0 369 31	800 x 600 x 250	30	239	C1
			179	C2
0 369 32	1000 x 600 x 250	30	288	C1
			212	C2
0 369 33	1000 x 800 x 250	30	360	C1
			265	C2
0 369 37	800 x 600 x 300	30	259	C1
			199	C2
0 369 38	1000 x 600 x 300	30	311	C1
			235	C2
0 369 39	1000 x 800 x 300	30	386	C1
			285	C2
0 369 42	1200 x 600 x 300	30	363	C1
			272	C2
0 369 43	1200 x 800 x 300	30	449	C1
			328	C2
0 369 44	800 x 600 x 400	30	300	C1
			239	C2
0 369 45	1000 x 800 x 400	30	438	C1
			337	C2
0 369 46	1200 x 800 x 400	30	507	C1
			386	C2
0 369 50	1400 x 800 x 400	30	576	C1
			435	C2
0 369 51	300 x 300 x 160	30	54	C1
			42	C2
0 369 55	300 x 300 x 200	30	60	C1
			49	C2
0 369 57	400 x 400 x 200	30	92	C1
			72	C2
0 369 59	500 x 500 x 200	30	130	C1
			98	C2
0 369 62	500 x 500 x 250	30	145	C1
			109	C2
0 369 64	600 x 600 x 250	30	190	C1
			145	C2
0 369 68	800 x 800 x 300	30	323	C1
			242	C2
0 369 72	600 x 600 x 400	30	242	C1
			197	C2
0 369 11	300 x 400 x 160	30	67	C1
			52	C2
0 369 75	300 x 400 x 200	30	75	C1
			60	C2
0 369 76	400 x 600 x 200	30	127	C1
			96	C2
0 369 77	400 x 600 x 250	30	141	C1
			111	C2
0 369 78	600 x 800 x 300	30	259	C1
			199	C2
0 369 79	600 x 1000 x 300	30	311	C1
			235	C2
0 369 80	800 x 1000 x 300	30	386	C1
			285	C2
0 369 81	1000 x 1200 x 300	30	536	C1
			384	C2
0 369 27	400 x 300 x 200	30	75	C1
			60	C2
0 369 28	500 x 400 x 200	30	109	C1
			84	C2
0 369 29	600 x 400 x 200	30	127	C1
			96	C2
0 369 36	600 x 400 x 250	30	141	C1
			111	C2
0 369 40	700 x 500 x 250	30	187	C1
			143	C2
0 369 41	800 x 600 x 250	30	239	C1
			179	C2
0 369 47	800 x 600 x 300	30	259	C1
			199	C2
0 369 48	1000 x 600 x 300	30	311	C1
			235	C2
0 369 49	1000 x 800 x 300	30	386	C1
			285	C2
0 369 56	1200 x 800 x 400	30	507	C1
			386	C2
0 369 60	1400 x 800 x 400	30	576	C1
			435	C2
0 369 74	600 x 600 x 250	30	190	C1
			145	C2

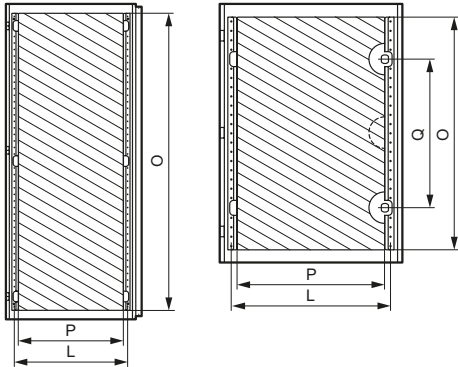
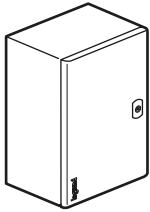
5. DIMENSIONS

Actual cabinet dimensions

Cat. No.	Height	Width	Depth excluding locks
0 369 10	300	200	170
0 369 12	400	300	
0 369 13	500	400	
0 369 17	400	300	210
0 369 18	500	400	
0 369 19	600		
0 369 20	600		
0 369 21	700	500	260
0 369 25	500	400	
0 369 26	600		
0 369 30	700	500	
0 369 31	800	600	
0 369 32	1000		
0 369 33	800	800	310
0 369 37	800	600	
0 369 38	1000		
0 369 39	1000	800	
0 369 42	1200	600	800
0 369 43		800	
0 369 44	800	600	410
0 369 45	1000	800	
0 369 46	1200		
0 369 50	1400		
0 369 51	300	300	170
0 369 55			210
0 369 57	400	400	210
0 369 59	500	500	210
0 369 62	500	500	260
0 369 64	600	600	260
0 369 68	800	800	310
0 369 72	600	600	410
0 369 11	300	400	170
0 369 75	300		210
0 369 76	400	600	210
0 369 77			260
0 369 78	600	800	310
0 369 79	800	1000	
0 369 80			
0 369 81	1000	1200	210
0 369 27	400	300	
0 369 28	500	400	210
0 369 29	600		400
0 369 36			
0 369 40	700	500	310
0 369 41	800	600	
0 369 47			
0 369 48	1000	800	410
0 369 49	1200		800
0 369 56			
0 369 60	1400	600	260
0 369 74	600		

5. DIMENSIONS (CONTINUED)

Doors

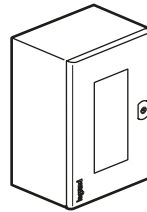


Doors (continued)

Cat. Nos.	Cabinets		Usable dimensions of doors		Lock position Q (mm)	Cable holder fix. centres L (mm)
	Height (mm)	Width (mm)	Height O (mm)	Width P (mm)		
0 369 10	300	200	251	148 ⁽³⁾	(1)	(2)
0 369 17/12/27	400	300	351	248 ⁽³⁾	(1)	(2)
0 369 13/18/28	500	400	451	300	(1)	330
0 369 19/26/29/36	600		551		350	
0 369 20	600	500	651	400	400	430
0 369 21/30/40	700					
0 369 25	500	400	451	300	(1)	330
0 369 37/41/44/47	800	600	751	500	500	530
0 369 32/38/48	1000					
0 369 33/39/45/49	1000	800	951	700	(1)	730
0 369 42	1200	600	1151	500	(1)	530
0 369 43/46/56		800				
0 369 50/60	1400	800	1351	700	(1)	730
0 369 51/55	300	300	251	248 ⁽³⁾	(1)	(2)
0 369 57	400	400	351	348 ⁽³⁾	(1)	(2)
0 369 59/62	500	500	451	400	(1)	430
0 369 64/72/74	600	600	551	500	350	530
0 369 68	800	800	751	700	500	730
0 369 11/75	300	400	251	348 ⁽³⁾	(1)	(2)
0 369 76/77	400	600	351	500	(1)	530
0 369 78	600	800	551	300 × 2	(1)	330
0 369 79		1000		751	400 × 2	(1)
0 369 80	800					
0 369 81	1000	1200	951	500 × 2	(1)	530

(1) Central lock
(2) Without cable holder
(3) -12 mm for Legrand marking on side

Glass door

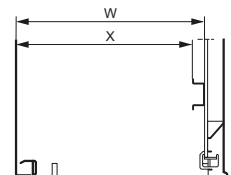


• Coloured toughened glass

Vertical version				Window dimensions (mm)	
Cat. No.	Height	Width	Depth	Height	Width
0 369 27	400	300	200	300	128
0 369 28	500	400		250	400
0 369 29	600		400		300
0 369 36		228			
0 369 40	700	500	250	600	328
0 369 41	800	600		300	700
0 369 47			1000		800
0 369 48	1200	1400		400	
0 369 49			1160		
0 369 56	1400				
0 369 60					
Square version					
0 369 74	600	600	250	500	428

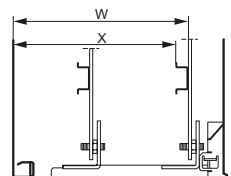
Usable cabinet depth

Cabinets Depth (mm)	At back of cabinet	
	W (mm)	X (mm)
160	140	125
200	180	165
250	230	215
300	280	265
400	380	365



Equipment adjustment (optional)

Cabinets Depth (mm)	With runners				
	Runner Cat No.	W (mm)		X (mm)	
250	0 367 43	93	213	78	198
300	0 367 44	93	263	78	248
400	0 367 45	93	363	78	348

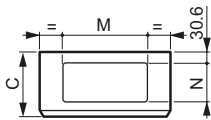


From 600 x 600 mm upwards.

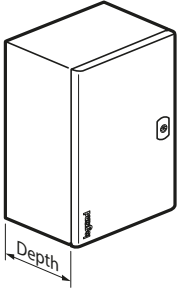
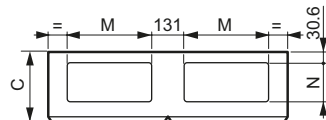
5. DIMENSIONS (CONTINUED)

Openings in cabinets

Cabinets ≤ 800 mm wide



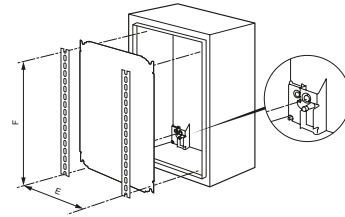
Cabinets ≥ 1000 mm wide



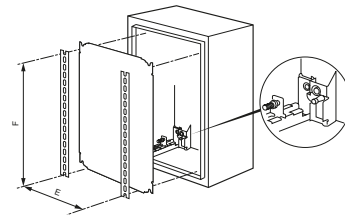
Cabinets			Opening dimensions	
Width (mm)	Depth (mm)	Lock depth (mm)	M (mm)	N (mm)
200	160	170	-	-
300			-	-
400			-	-
300	200	210	169	115
400			269	
500			269	
600	250	260	369	150
400			469	
500				
600	300	310	469	150
800				
600	400	410	469	150
800				
1000	250	260	369	150
1200	300	310	469	

6. EQUIPMENT

■ 6.1 Equipment fixed directly at the back of the cabinet (M8 screws)



- or runner adjusted with M8 nut (optional)

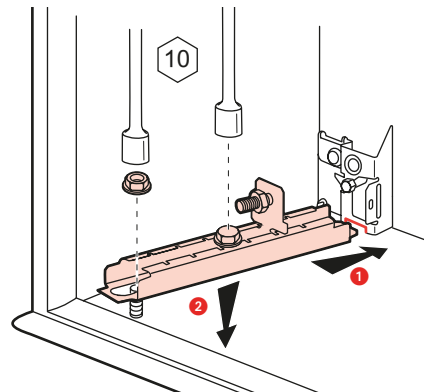


Equipment adjustment

Possible from cabinet size M 600 x 600 upwards.

With Cat. Nos. 0 321 43/44/45/45.

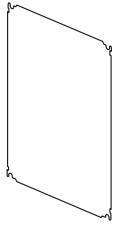
Set of 4 runners for cabinet depths 250, 300 and 400.



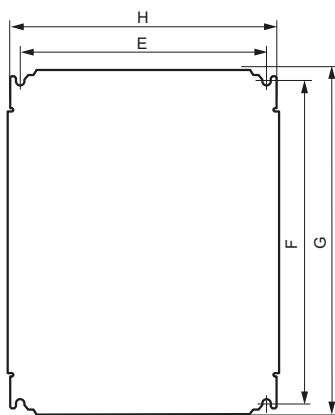
6. EQUIPMENT (CONTINUED)

■ 6.2 Solid plates

- Galvanised steel



• Dimensions Solid plates



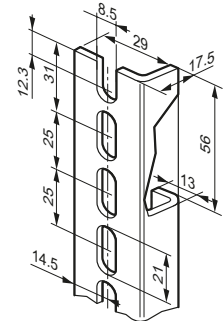
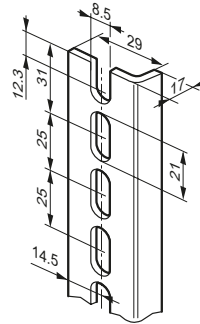
Cabinets		Solid plates		Usable equipment area (dm ²)	Plate fixing		Solid Cat. No.	Plate thickness
Height	Width	G	H		F	E		
300	200	256	156	4.2	225	125	0 360 50	18/10°
	300		6.2	225		0 360 69		
	400 ⁽¹⁾		8.2	325		0 360 52		
400	300 ⁽¹⁾	356	8.2	8.2	325	225	0 360 52	20/10°
	400		11.7	325		0 360 70		
	600 ⁽¹⁾		18.7	525		0 360 56		
500	400	456	356	15.2	425	325	0 360 55	20/10°
	500		19.2	425		0 360 71		
600	400 ⁽¹⁾	556	356	18.7	525	325	0 360 56	25/10°
	500		23.6	425		0 360 84		
	600		29.7	525		0 360 57		
	800 ⁽¹⁾		40.7	725		0 360 59		
	1000 ⁽¹⁾		51.7	925		0 360 54		
700	500	656	456	28.7	625	425	0 360 58	25/10°
	600 ⁽¹⁾		40.7	525		0 360 59		
	800		55.7	725		0 360 60		
800	800	756	756	55.7	725	725	0 360 60	25/10°
	1000 ⁽¹⁾		71.7	925		0 360 61		
	600 ⁽¹⁾		51.7	525		0 360 54		
1000	800 ⁽¹⁾	956	756	70.7	925	725	0 360 61	25/10°
	1200 ⁽¹⁾		108.7	1125		0 360 65		
	600		62.5	525		0 360 85		
1200	800	1156	756	85.7	1125	725	0 360 64	25/10°
	800		100.7	1325		725	0 360 67	

⁽¹⁾For use in horizontal (cabinet dimensions the other way round) or vertical mounting.

■ 6.3 Lina 25 sectioned uprights and rails for creating the chassis

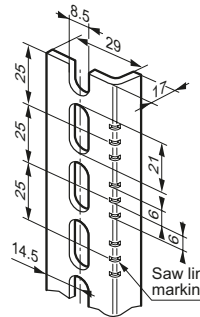
Lina 25 sectioned uprights

Cat. Nos. 0 361 50/51/52/53/54/55/56 Cat. Nos. 0 361 58/59



Sectioned uprights for cutting to length

Cat. No. 0 361 92



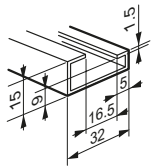
⁽¹⁾Saw line marking for upright length at 25 mm intervals. The other two are used to obtain the length of uprights Cat. Nos. 0 361 50/51/52/53/54/55/56.

Cabinet height (mm)	Upright length (mm)	Upright Cat. No. (set of 2)
300	237	0 361 50
400	337	0 361 51
500	437	0 361 52
600	537	0 361 53
700	637	0 361 54
800	737	0 361 55
1000	937	0 361 56
1200	1137	0 361 58
1400	1337	0 361 59
3 m upright for cutting to length		0 361 92

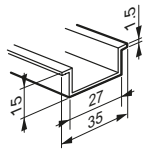
6. EQUIPMENT (CONTINUED)

■ 6.4 Rails

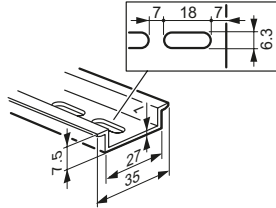
Cat. No. 0 374 02



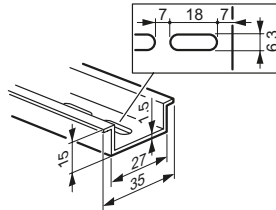
Cat. Nos. 0 367 80/81/82/83/84/85/86
Cat. No. 0 374 07



Cat. No. 0 477 22



Cat. No. 0 477 23

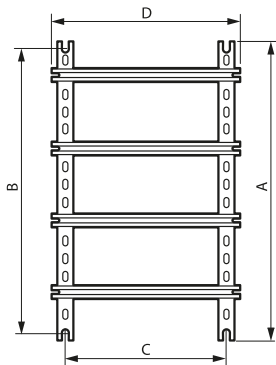


Cabinet width (mm)	Rail length (mm)	rail Cat. No.
300	243	0 367 80
400	343	0 367 81
500	443	0 367 82
600	543	0 367 83
800	743	0 367 84
1000	943	0 367 85
1200	1143	0 367 86

2 m rail for cutting to length

Cat. No. 0 374 02 asymmetrical according to standard EN 60715
Cat. No. 0 374 07 symmetrical 15 mm deep
Cat. No. 0 477 22 symmetrical 7.5 mm deep with oblong holes
Cat. No. 0 477 23 symmetrical 15 mm deep with oblong holes

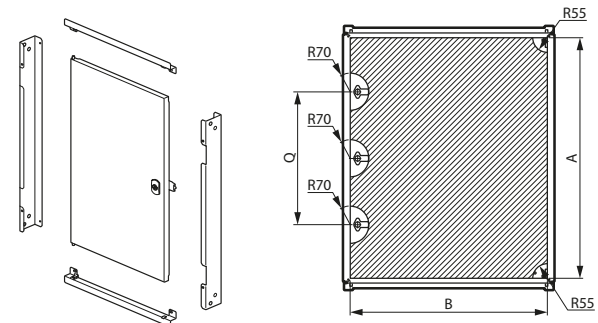
Assembled chassis with Lina 25 uprights and rails



Assembled chassis with Lina 25 uprights and rails (continued)

Cabinet dimensions (mm)		Upright height	Rail length	Chassis fixing	
Height	Width			A	B
300	200	237	143	225	125
	300		243		225
	400		343		325
400	300	337	243	325	225
	400		343		325
	600		543		525
500	400	437	343	425	325
	500		437		425
600	400	537	343	525	325
	500		437		425
	600		543		525
	800		743		725
700	500	637	437	625	425
	600		543		525
800	800	737	743	725	725
	1000		943		925
	600		543		525
1000	800	937	743	925	725
	1200		1143		1125
	600		543		525
1200	800	1137	743	1125	725
1400		1337		1325	

■ 6.5 Metal internal doors (RAL 7035)



IP xxB

Steel 1.2 mm thick up to and including H 700 mm, 1.5 mm thereafter.
Distance between cabinet door and internal door: 63 mm.

Reversible door.

Captive hinge pins.

Double bar lock: 1 lock for height up to and including 600 mm and 2 locks thereafter.

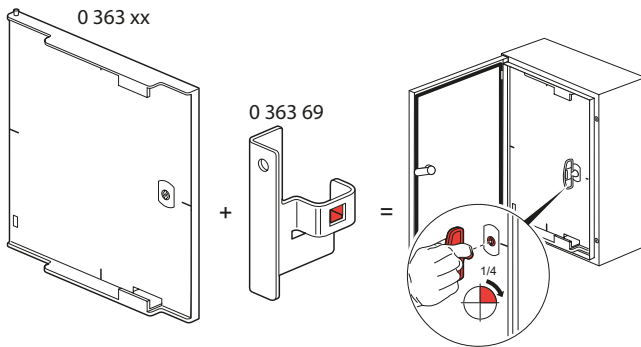
Take key barrels and other inserts.

Internal door Cat. Nos.	For cabinets (mm)		Usable dimensions (mm)		Lock positions (mm)
	Height	Width	A	B	Q
0 363 15	400	300	306	242	(1)
0 363 16	500	400	406	342	(1)
0 363 17	600	400	506	342	(1)
0 363 18	700	500	606	442	(1)
0 363 19	800	600	706	542	(1)
0 363 20	1000	600	906	542	500
0 363 21	1000	800	906	742	500
0 363 22	1200	600	1106	542	500
0 363 23	1200	800	1106	742	500

(1) Just 1 lock in the centre

6. EQUIPMENT (CONTINUED)

■ 6.6 Internal doors (RAL 7035)



Fitted with Cat. No. 0 363 69.

IP xxB

Glass fibre reinforced polyester, thickness: 4 mm.

Self-extinguishing at 960°C according to IEC EN 60695-2-11.

Chequer pattern integrated on rear surface.

Centre marked on front panel.

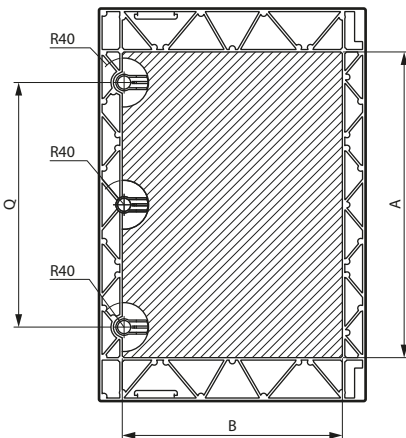
Distance between cabinet door and internal door can be adjusted:
39.5 to 58 mm for Atlantic cabinets.

Right or left-hand opening with built-in handle lever.

Captive hinge pins.

Double bar lock: 1 lock for height 400 to 600 mm, 2 locks from
height 700 mm upwards.

Take key barrels and other inserts.



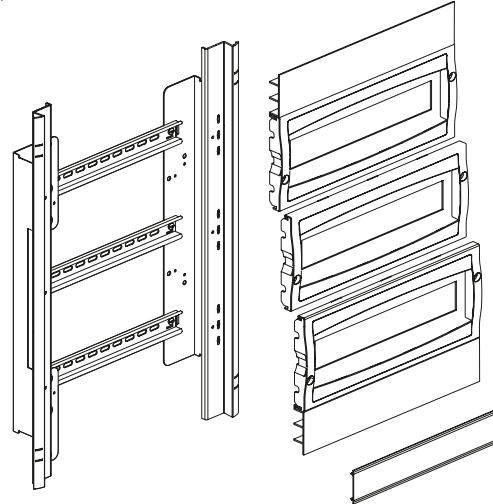
Internal door Cat. Nos.	For cabinets (mm)		Usable dimensions (mm)		Lock positions (mm)
	Height	Width	A	B	
0 363 59	400	300	306	205	(1)
0 363 60	500	400	406	270	(1)
0 363 61	600	400	505	270	(1)
0 363 62	700	500	500	360	400
0 363 63	800	600	600	460	500
0 363 64	1000	800	800	660	460
0 363 65 ⁽²⁾	1200	800	800	660	460

⁽²⁾ Door identical to Cat. No. 0 363 64 with 200 mm rectangular hole at top or bottom

(1) Just 1 lock in the centre

6.7.1 Ready-to-use chassis with insulating faceplates in rows RAL 7035

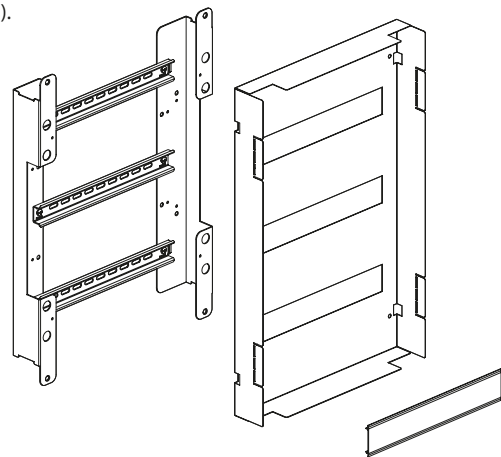
In Atlantic steel cabinets, the chassis are mounted on the front (hinge mounts).



Cabinet	Chassis	
H x W x D (mm)	Cat. No.	Capacity
400 x 300 x 200	4 330 00	3 rows of 10 modules
500 x 400 x 200/250	4 330 01	3 rows of 16 modules
600 x 400 x 200/250	4 330 02	3 rows of 16 modules
500 x 500 x 250	4 330 03	3 rows of 21 modules
700 x 500 x 250/300	4 330 04	4 rows of 21 modules
800 x 600 x 250/300/400	4 330 05	5 rows of 27 modules

6.7.2 Ready-to-use chassis with monobloc metal faceplate RAL 7035

In Atlantic steel cabinets, the chassis are mounted on the front (hinge mounts).

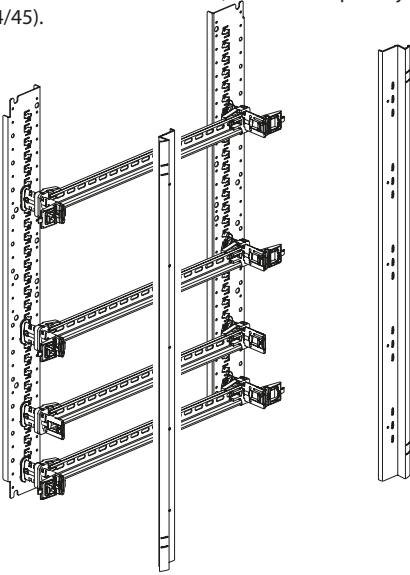


Cabinet	Chassis	
H x W x D (mm)	Cat. No.	Capacity
400 x 300 x 200	4 330 10	3 rows of 10 modules
500 x 400 x 200/250	4 330 11	3 rows of 16 modules
600 x 400 x 200/250	4 330 12	3 rows of 16 modules
500 x 500 x 250	4 330 13	3 rows of 21 modules
700 x 500 x 250/300	4 330 14	4 rows of 21 modules
800 x 600 x 250/300/400	4 330 15	5 rows of 27 modules

6. EQUIPMENT (CONTINUED)

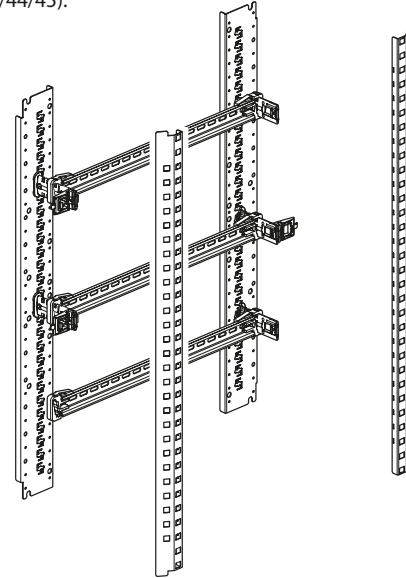
6.7.3 Chassis for customer assembly with insulating faceplates
RAL 7035

The functional uprights of the chassis can be mounted inside the cabinet at the back, on the universal brackets, or on the depth adjustment kit (0 367 43/44/45).



6.7.4 Chassis for customer assembly with metal faceplates RAL 7035

The functional uprights of the chassis can be mounted inside the cabinet at the back, on the universal brackets, or on the depth adjustment kit (0 367 43/44/45).



Cabinet	Chassis		
H x W x D (mm)	Cat. No.	Capacity	Example with 150 faceplate
700 x 500	4 330 20	usable faceplate height 600	4
800 x 600	4 330 21	usable faceplate height 750	5
800 x 800	4 330 22	usable faceplate height 750	5
1000 x 600	4 330 23	usable faceplate height 900	6
1000 x 800	4 330 24	usable faceplate height 900	6
1200 x 800	4 330 25	usable faceplate height 1050	7

Cabinet	Chassis		
H x W x D (mm)	Cat. No.	Capacity	Example with 150 faceplate
700 x 500	4 330 30	usable faceplate height 600	4 + 1 faceplate h50
800 x 600	4 330 31	usable faceplate height 750	5
800 x 800	4 330 32	usable faceplate height 750	5
1000 x 600	4 330 33	usable faceplate height 900	6 + 1 faceplate h50
1000 x 800	4 330 34	usable faceplate height 900	6 + 1 faceplate h50
1200 x 800	4 330 35	usable faceplate height 1050	7 + 2 faceplate h50

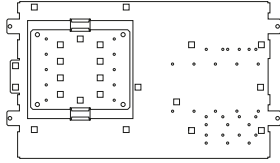
(mm)	700 x 500	800 x 600	800 x 800	1000 x 600	1000 x 800	1200 x 800
	4 330 20	4 330 21	4 330 22	4 330 23	4 330 24	4 330 25
	4 330 50	4 330 51	4 330 52	4 330 51	4 330 52	4 330 52
	4 330 53	4 330 54	4 330 55	4 330 54	4 330 55	4 330 55
	4 330 60	4 330 61	4 330 62	4 330 61	4 330 62	4 330 62
	4 330 63	4 330 64	4 330 65	4 330 64	4 330 65	4 330 65
Module per row	19	25	36	25	36	36

(mm)	700 x 500	800 x 600	800 x 800	1000 x 600	1000 x 800	1200 x 800
	4 330 30	4 330 31	4 330 32	4 330 33	4 330 34	4 330 35
	4 330 70	4 330 71	4 330 72	4 330 71	4 330 72	4 330 72
	4 330 73	4 330 74	4 330 75	4 330 74	4 330 75	4 330 75
	4 330 76	4 330 77	4 330 78	4 330 77	4 330 78	4 330 78
	4 330 80	4 330 81	4 330 82	4 330 81	4 330 82	4 330 82
	4 330 83	4 330 84	4 330 85	4 330 84	4 330 85	4 330 85
	4 330 90	4 330 91	4 330 92	4 330 91	4 330 92	4 330 92
	4 330 93	4 330 94	4 330 95	4 330 94	4 330 95	4 330 95
Module per row	19	25	36	25	36	36

6. EQUIPMENT (CONTINUED)

6.7.5 Mounting plate for customer assembly chassis

- Cat. No. 433044 , for width 600
- Cat. No. 433045 , for width 800



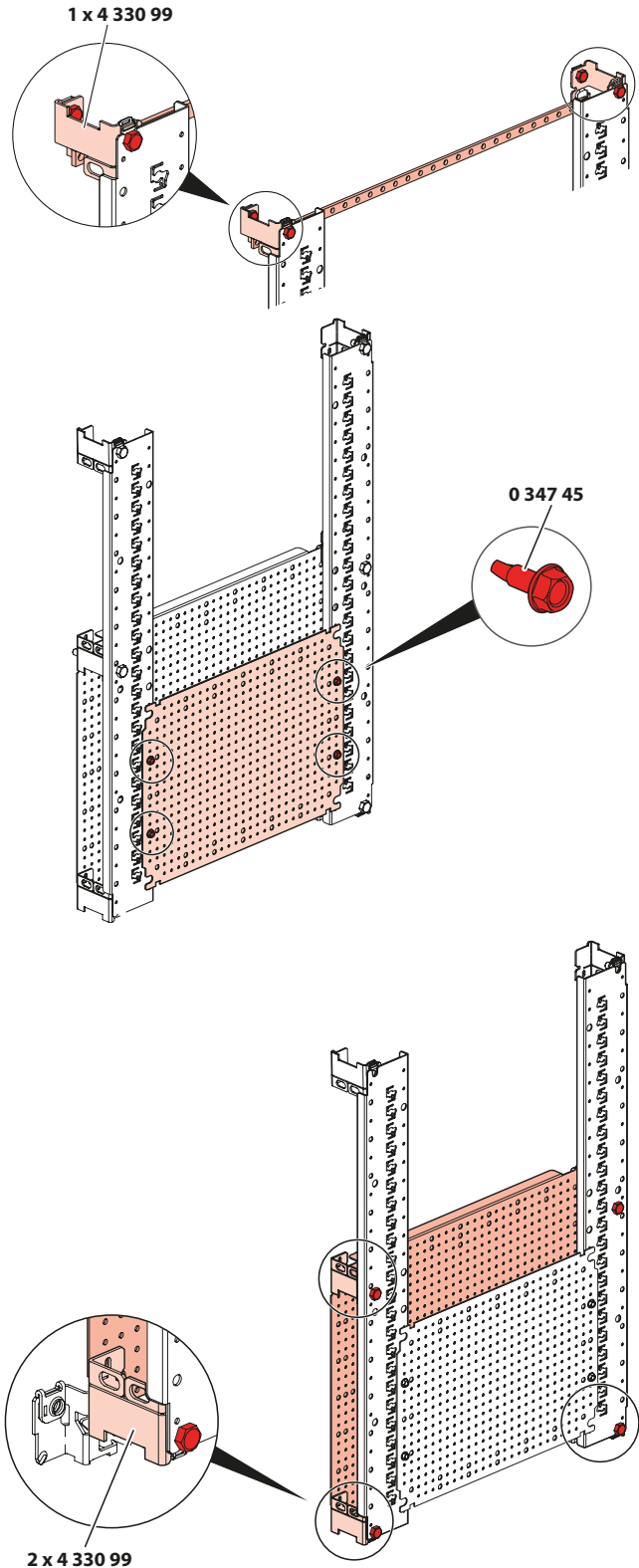
They allow you to install power devices on the chassis: the plate references must be completed with a faceplate references of height 300.

- Power distribution block 0 374 00
- Power distribution block 0 374 47
- Vistop
- DRX
- DPX³ 160/250A
- DPX³ 160/250 A with earth leakage module
- DPX IS

6.7.6 Kit with 2 mounting brackets for customer assembly chassis (4 330 99)

- Bracket kit to adjust the depth of the chassis to be able to mount:
- input or output terminal blocks
 - mounting plates (order 2 kits)

A kit consists of 4 brackets with fasteners.



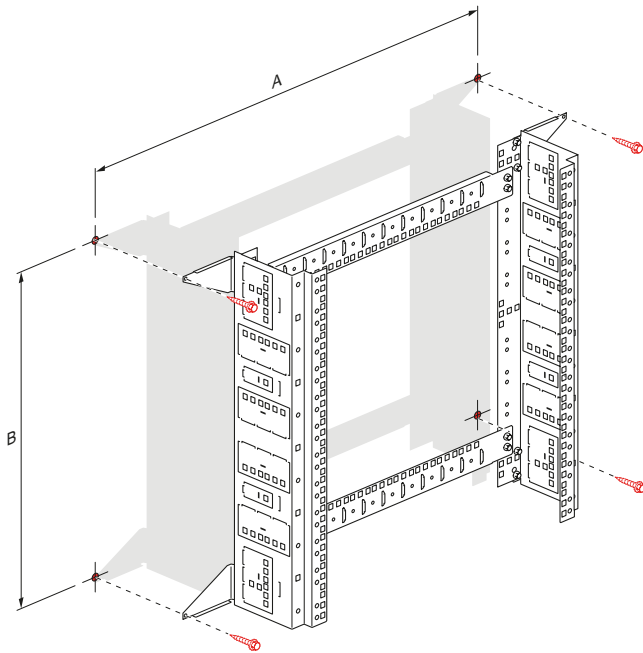
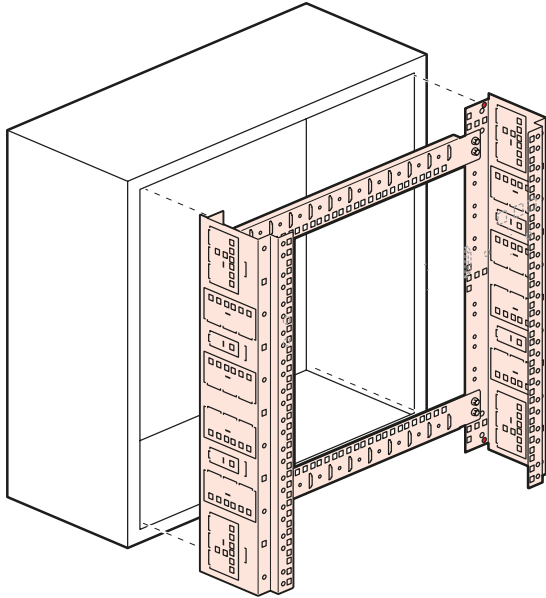
6. EQUIPMENT (CONTINUED)

■ 6.8 VDI chassis

For integrating 19" VDI equipment in Atlantic cabinets at least 600 or 800 mm wide and 250 mm deep.

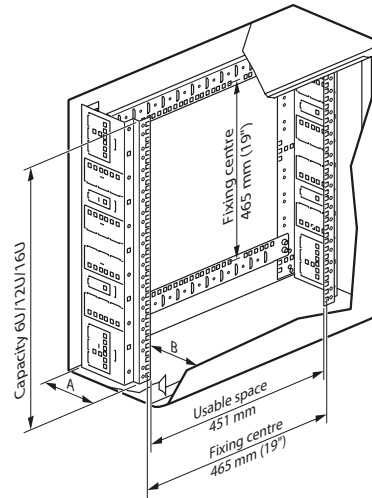
For 400 mm wide enclosures, the chassis can be used to integrate the VDI equipment in the mini XL VDI cabinet.

Can be fixed directly on the wall to create a wall-mounted chassis (without cabinet).



Cat. No.	A (mm)	B (mm)
0 462 27	725	325
0 462 28	725	525
0 462 29	725	725

■ 6.8 VDI chassis (continued)



Atlantic cabinets					
Chassis Cat. Nos.	Capacity	Cat. Nos.	Dimensions	Usable dimensions under door	
				A (mm)	B (mm)
0 462 27	6 U	0 369 77	400 x 600 x 250	145	105
0 462 28	12 U	0 369 26 0 369 36	600 x 400 x 250		
		0 369 64	600 x 600 x 250		
		0 369 72	600 x 600 x 400		
0 462 29	16 U	0 369 78	600 x 800 x 300		155
		0 369 31	800 x 600 x 250		105
		0 369 37 0 369 47	800 x 600 x 300	155	
		0 369 44	800 x 600 x 400	255	
		0 369 68	800 x 800 x 300	155	

■ 6.9 Cabinet fixing

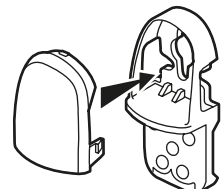
Directly on wall or with fixing lugs



Cat. No. 0 364 04



Cat. No. 0 364 06



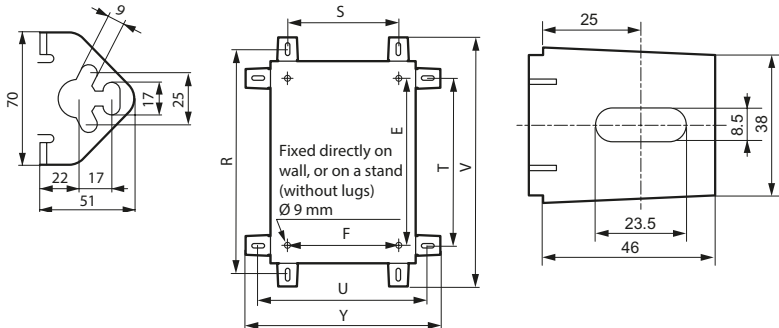
Cat. No. 0 364 01

6. EQUIPMENT (CONTINUED)

■ 6.9 Cabinet fixing (continued)

Directly on wall or with fixing lugs (continued)

Cat. No. 0 364 04



Directly on wall or with fixing lugs

(dimensions in mm)

Cabinet dimensions (mm)		Vertical lugs 0 364 06		Fixing centres	Horizontal lugs 0 364 06		Fixing centres	Overall 0 364 06		Overall 0 364 04	
Height	Width	R	S	E	T	U	F	V	Y	V	Y
300	200	350	150	225	250	250	169	392	292	402	302
	300		250			350	269		392		402
	400		350			450	369		492		502
400	300	450	250	325	350	350	269	492	392	502	402
	400		350			450	369		492		502
	600		550			650	569		692		702
500	400	550	350	425	450	450	369	592	492	602	502
	500		450			550	469		592		602
600	400	650	350	525	550	450	369	692	492	702	502
	500		450			550	469		592		602
	600		550			650	569		692		702
	800		750			850	769		892		902
	1000		950			1050	969		1092		1102
700	500	750	450	625	650	550	469	792	592	802	602
800	600	850	550	725	750	650	569	892	692	902	702
	800		750			850	769		892		902
	1000		950			1050	969		1092		1102
1000	600	1050	550	925	950	650	569	1092	692	1102	702
	800		750			850	769		892		902
	1200		1150			1250	1169		1292		1302
1200	800	1250	750	1125	1150	850	769	1292	892	1302	902
1400		1450		1325	1350		1492	152			

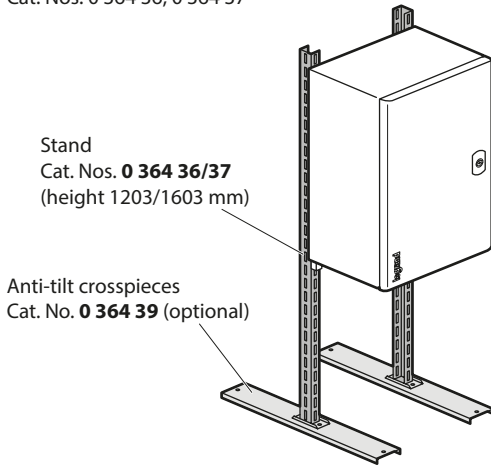
Cabinet dimensions (mm)		Vertical lugs 0 364 04		Fixing centres	Horizontal lugs 0 364 04	
Height	Width	R	S	E	T	U
300	200	378	130	225	230	278
	300		230			378
	400		330			478
400	300	478	230	325	330	378
	400		330			478
	600		530			678
500	400	578	330	425	430	478
	500		430			578
600	400	678	330	525	530	478
	500		430			578
	600		530			678
	800		730			878
	1000		930			1078
700	500	778	430	625	630	578
800	600	878	530	725	730	678
	800		730			878
	1000		930			1078
1000	600	1078	530	925	930	678
	800		730			878
	1200		1130			1278
1200	800	1278	730	1125	1130	878
1400		1478		1325	1330	

6. EQUIPMENT (CONTINUED)

■ 6.9 Cabinet fixing (continued)

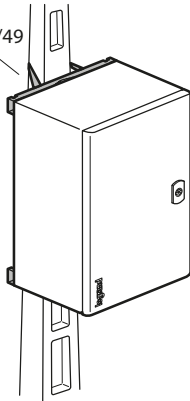
Fixed to floor on a stand

Cat. Nos. 0 364 36, 0 364 37



Fixed on a post

Cat. No. 0 364 46/47/48/49

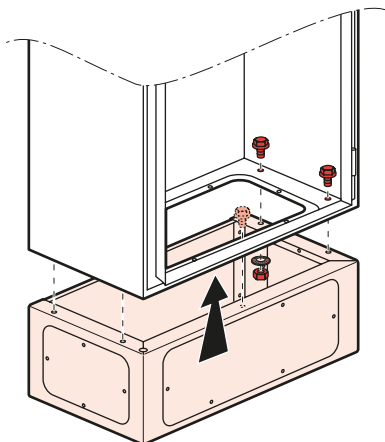


Fixed to floor on a plinth

Front and side access covers

RAL 7021

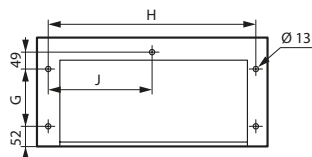
300 and 400 mm deep



Passage through front access cover



View from below - Fixing to the floor



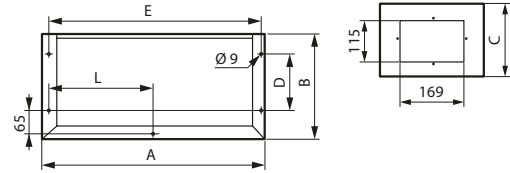
6. EQUIPMENT (CONTINUED)

■ 6.9 Cabinet fixing (continued)

Fixed to floor on a plinth (continued)

View from above - Cabinet fixing

Passage through side access covers



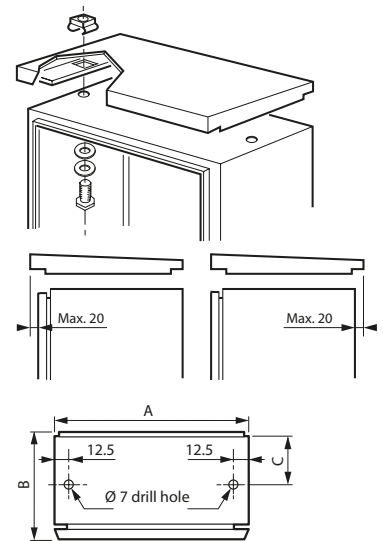
Cat. No.	Cabinets W x D (mm)	A	B	C	D	E	F	G	H	J	L
0 363 40	600 x 400	600	380	200	250	574	469	250	542	271	287
0 363 41	800 x 400	800				774	469		742	371	387
0 363 43	1200 x 400	1200	280	150	150	1174	469 x 2	150	1142	571	587
0 363 00	600 x 300	600				574	469		542	271	287
0 363 01	800 x 300	800	774	469	742	371	387				
0 363 02	1000 x 300	1000	974	369 x 2	942	471	487				
0 363 03	1200 x 300	1200	1174	469 x 2	1142	571	587				

■ 6.10 Roofs

Steel RAL 7035.

Possible 20 mm adjustment at front or back.

Cat. No.	A (mm)	B (mm)	C (mm)
0 365 55	200	160	80
0 365 58	200	200	100
0 365 51	300	200	100
0 365 52	400	200	100
0 365 53	400	250	125
0 365 59/67	500	200	100
0 365 64	500	250	125
0 365 65/68	600	200	100
0 365 54	600	250	125
0 365 56	600	300	150
0 365 66	800	250	125
0 365 57	800	300	150
0 365 60	800	400	200
0 365 61	1000	300	150
0 365 63	1200	300	150



7. ACCESSORIES

■ 7.1 Cable entry plates

IP 55 Cabstop plates

- Cable entries consisting of a cable clamp providing mechanical strength, and elastomer areas ensuring a tight seal.
- Can be pierced directly with the cable (no tool required).
- Fits the cable snugly.
- Cable can be replaced.
- Flame-retardant polypropylene RAL 7035.

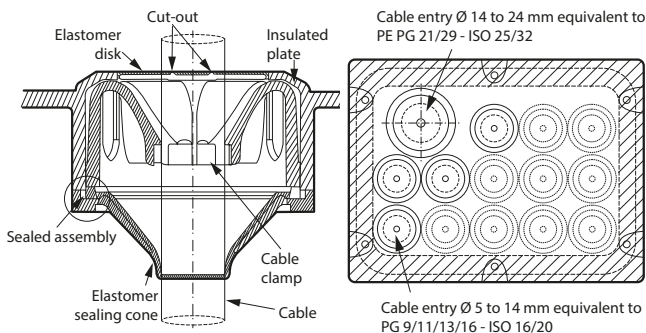
- Cable entry plates have a number of pierceable openings of different sizes: Ø 5 to 14, Ø 14 to 24 and spare rectangular holes.

7. ACCESSORIES

7.1 Cable entry plates (continued)

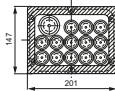
IP 55 Cabstop plates (continued)

- Performance:
 - Resistance to ASTM no. 3 cutting oils
 - Resistance to incandescent wire: 750°C according to IEC 60695-2-11
 - Tensile resistance: 15 kg minimum
 - Operating temperature: - 20°C to + 65°C
 - A foam gasket with a cross-section of 16 x 10 ensures a tight seal between the plates.

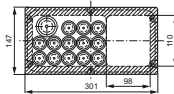


Good resistance to sodium chloride (15%), sulphuric acid (98%) and soda (50%).

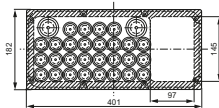
- **Plate Cat. No. 0 364 94**
For cabinets size 300 x 200
13 entries Ø 5 to 14
1 entry Ø 14 to 24



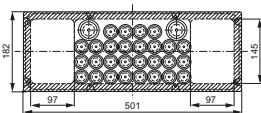
- **Plate Cat. No. 0 364 95**
For cabinets size 400 x 200/250
13 entries Ø 5 to 14
1 entry Ø 14 to 24
1 rectangular hole 98 x 110



- **Plate Cat. No. 0 364 96**
For cabinets size 500 x 1000 x 250/300
28 entries Ø 5 to 14
2 entries Ø 14 to 24
1 rectangular hole 97 x 145



- **Plate Cat. No. 0 364 97**
For cabinets size 600 x 250 to 400,
800 x 250 to 400 and 1200 x 300/400
28 entries Ø 5 to 14
2 entries Ø 14 to 24
2 rectangular holes 97 x 145



• Cable entry plate with brush seal IP 43

Cat. No. 0 329 46

For cabinet 600 or 800 mm wide
Usable space 385 x 30 mm



• IP 55 plate with multi-entry cable glands

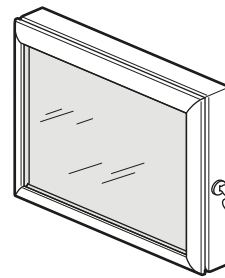
Cat No. 0 329 47

For cabinet 600 or 800 mm wide
Supplied with 12 ISO 32 cable glands
Cat. No. 0 980 50.

Each cable gland can take 4 UTP/FTP/SFTP cables (Ø 6.5 to 9.5 mm).
Cords with connectors can be fed through without having to dismantle the cable gland.
Supplied with blanking plates for unused entries.



7.2 Hinged inspection windows in door



IP54

Anodised aluminium frame, 120° opening.

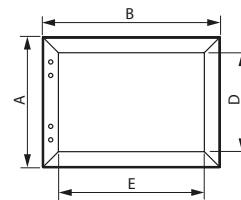
Window, 3 mm thick polycarbonate. Neoprene seal.

455 key lock.

Supplied with drilling template.

Protect equipment, prevent accidental operation and can be used to view devices at the front.

Cat. No.	External dimensions (mm)			Window dimensions (mm)		Usable depth (mm)
	Height	Width	Depth	Height	Width	
0 475 45	300	400	50	230	330	42
0 475 46	400			330		
0 475 47	500	500		430	430	
0 475 48	600	400		530	330	
0 475 49		600			530	

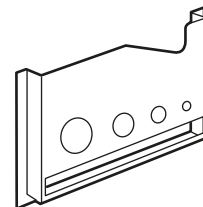


Cat. No.	Dimensions (mm)			
	A	B	D	E
0 475 45	300	400	230	330
0 475 46	400		330	
0 475 47	500	500	430	430
0 475 48	600	400	530	330
0 475 49		600		530

7.3 Self-adhesive plastic document holders

- **Cat. No. 0 365 80**, 340 x 235 mm

(Internal dimensions: 310 x 200 x 18 mm) and Cat. No. 0 365 81,
260 x 165 mm (Internal dimensions: 230 x 130 x 18 mm).
Open - RAL 7035.



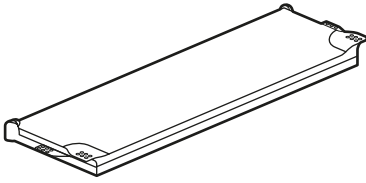
- **Cat. No. 0 365 82**, 325 x 120 mm

(Internal dimensions: 324 x 120 x 18 mm)
Closed IP 50. RAL 9002.

Holds around fifteen A4 sheets folded in half.

7. ACCESSORIES (CONTINUED)

■ 7.3 Self-adhesive plastic document holders (continued)



• **Cat. No. 0 097 99**, 305 x 220 mm (A4 format)
Clear soft plastic.

■ 7.4 Door contact

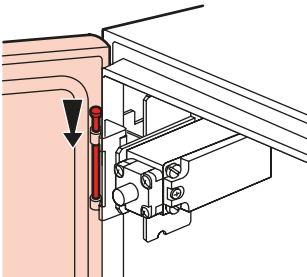
Cat. No. 0 363 13

3 A - 240 V

1 NC contact - 1 NO contact

Used, for example, to switch off the air conditioning and supply power to the light as soon as an enclosure door is opened.

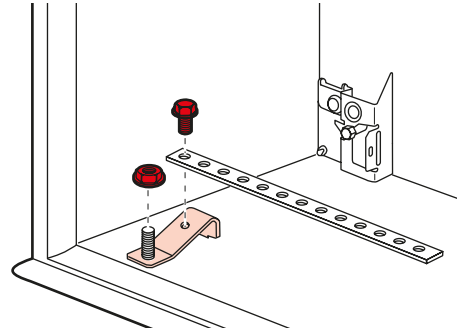
Supplied with fixing lugs.



■ 7.5 Terminal block support

Cat. No. 0 367 36

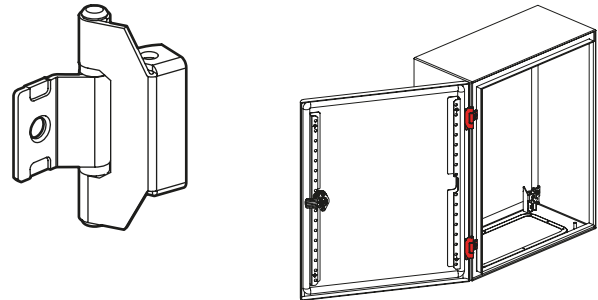
Set of two support brackets for copper bar or rail for terminal block.



■ 7.6 180° hinges

Cat. Nos. 0 367 32/33

Used to open cabinet doors 180° by replacing the existing hinges without drilling.



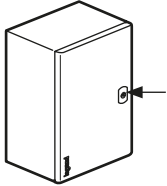
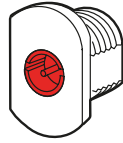
7. ACCESSORIES (CONTINUED)

■ 7.7 Locks

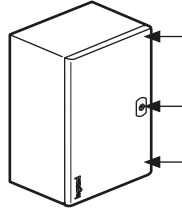
Double bar lock.

Insert can be replaced with a key barrel on cabinets with maximum height 300 mm, thereafter replace the lock with a handle.

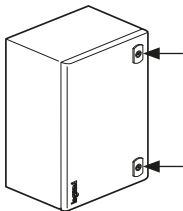
Number of locking points:



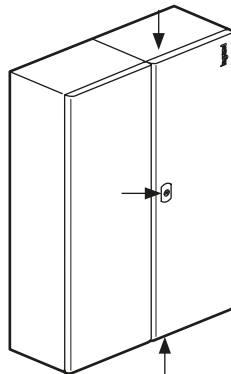
1 point



3 points



2 points



3 points

Cabinet dimensions (mm)		Number of locking points	Number of locks
Height (mm)	Width (mm)		
300	200	1	1
300	300	1	1
300	400	1	1
400	300	1	1
400	400	1	1
400	600	1	1
500	400	1	1
500	500	1	1
600	400	2	2
600	500	2	2
600	600	2	2
600	800	3	1
600	1000	3	1
700	500	2	2
800	600	2	2
800	800	2	2
800	1000	3	1
1000	600	3	1
1000	800	3	1
1000	1200	3	1
1200	600	3	1
1200	800	3	1
1400	800	3	1

Cat. Nos.

0 368 04 Lock



0 368 05 Handle with blanking plate



0 368 06 Key-operated handle 2433A



Metal inserts

Cat. Nos.	Description
0 368 13	6 mm female square
0 368 16	8 mm male square
0 368 17	6.5 mm male triangle
0 368 18	8 mm male triangle
0 368 19	11 mm male triangle (EDF)
0 368 20	Double bar

Key barrel

Cat. Nos.	Key code
0 368 22	405
0 368 23	421
0 368 24	455
0 368 25	1242 E
0 368 26	2433 A
0 368 27	3113 A