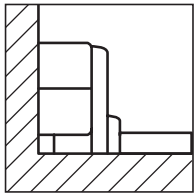
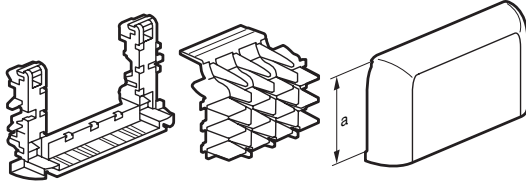


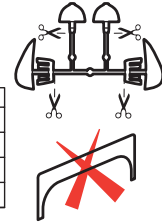
NT 104870257/02



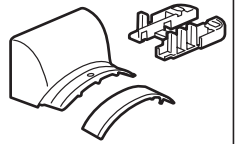
107 70/71/72/73/74



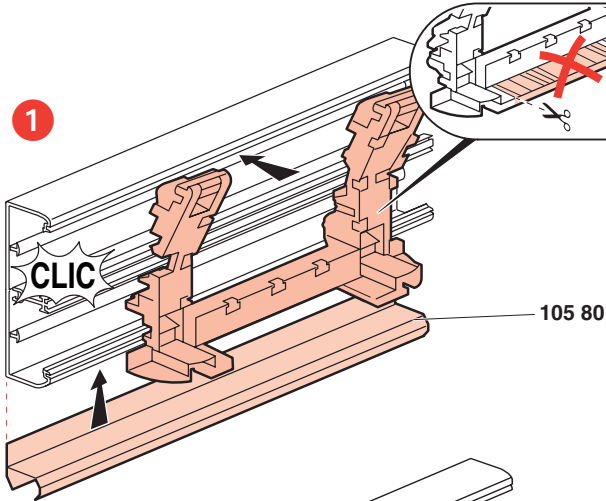
	a
107 70	40
107 71/73	65
107 72	85
107 74	130



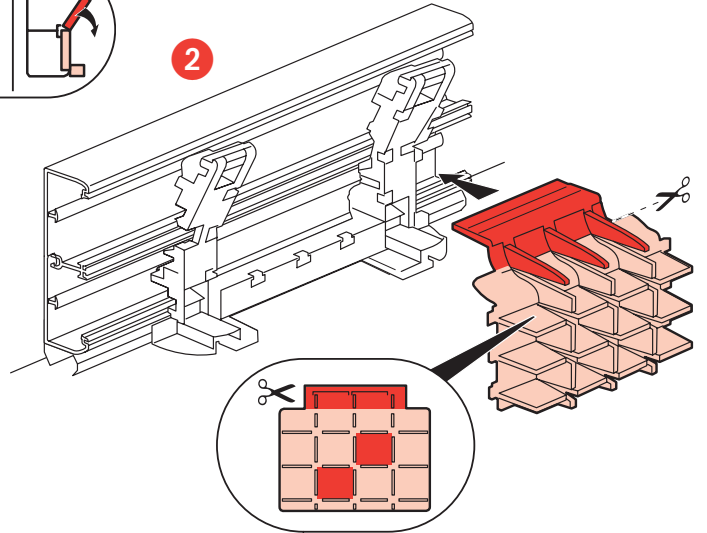
106 90



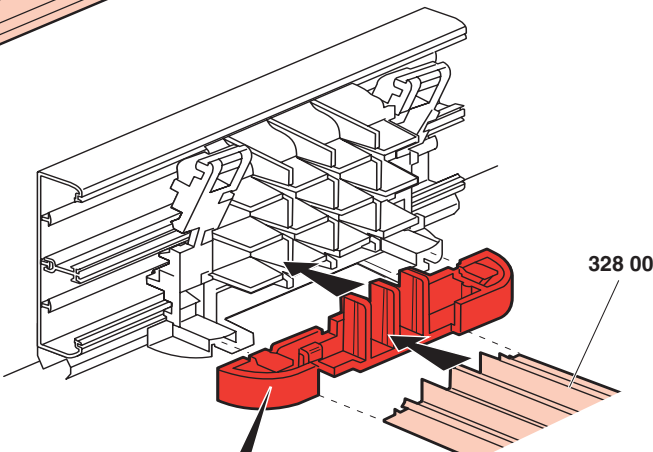
1



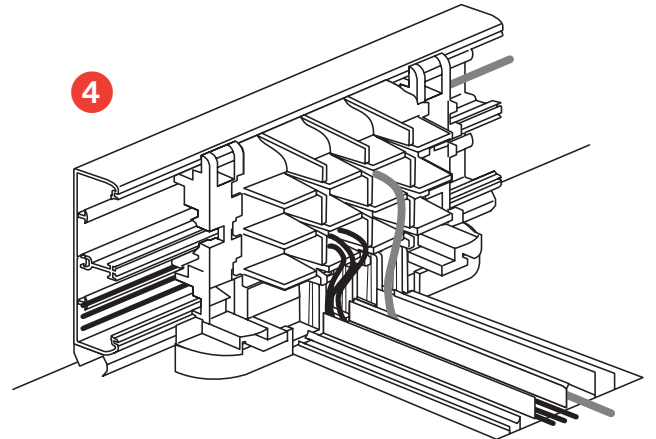
2



3



4

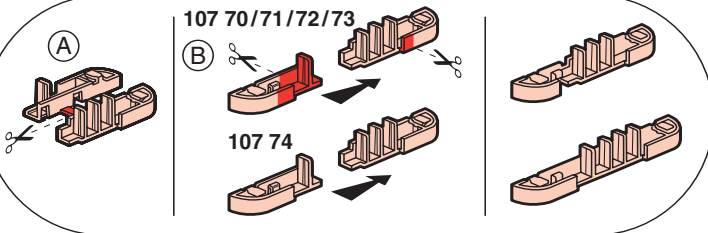


A

107 70/71/72/73

B

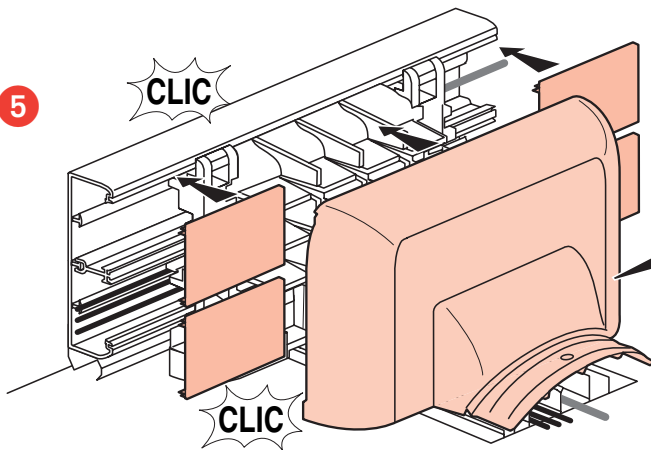
107 74



5

CLIC

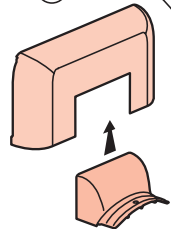
CLIC



A



B



CLIC

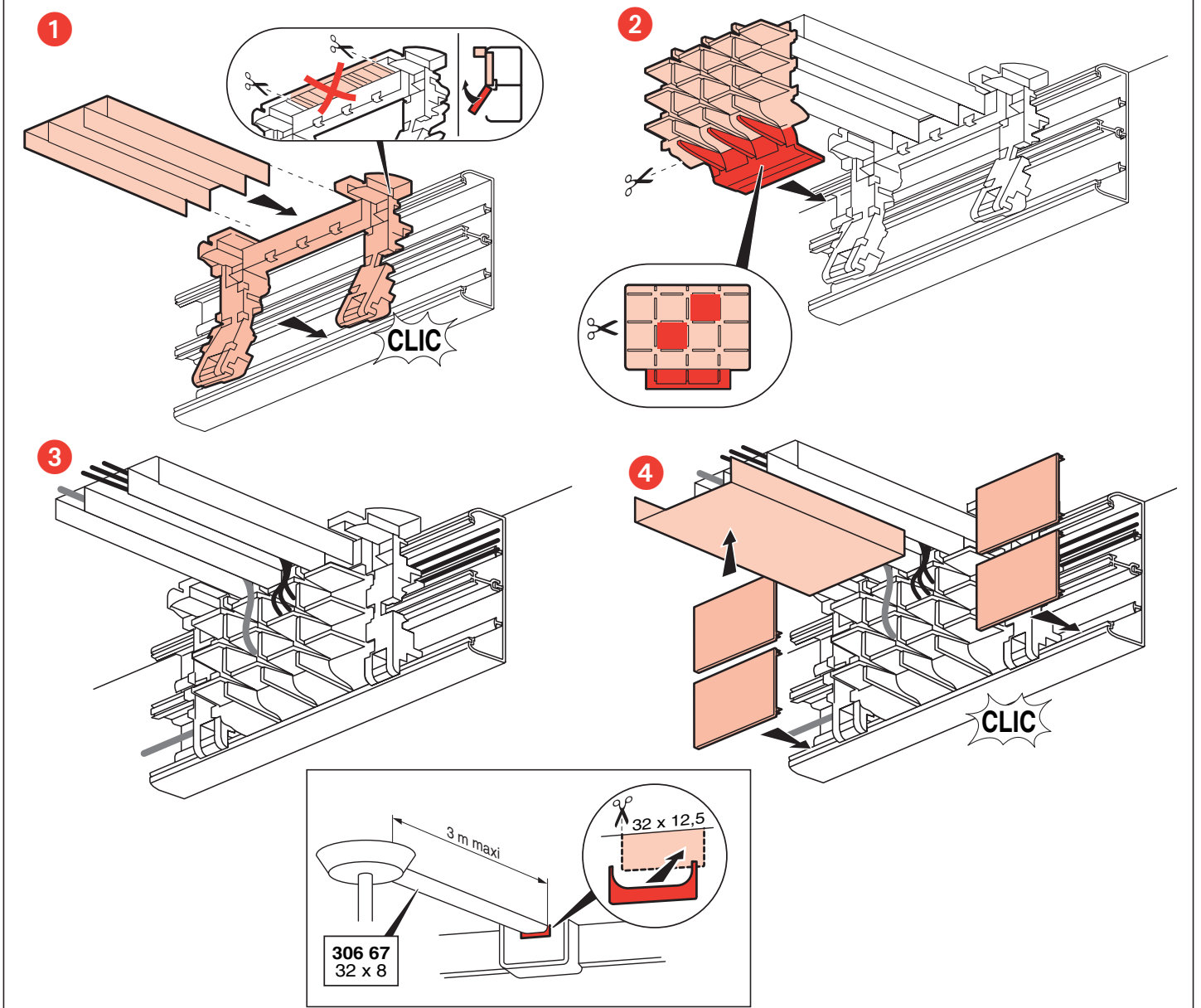
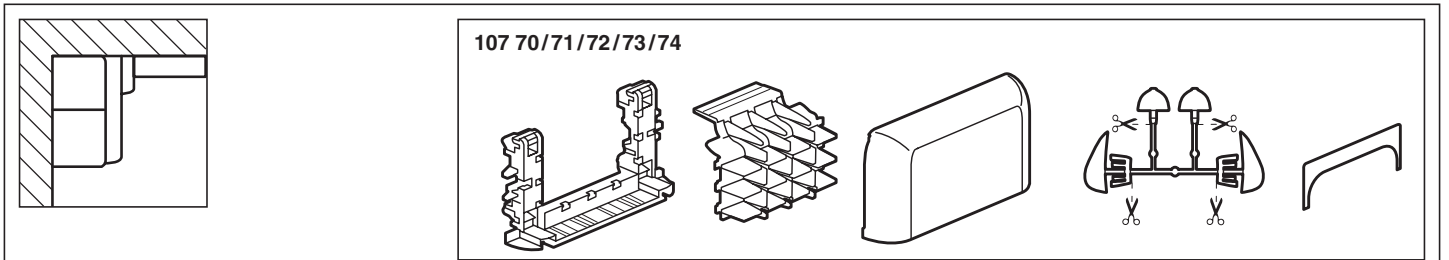
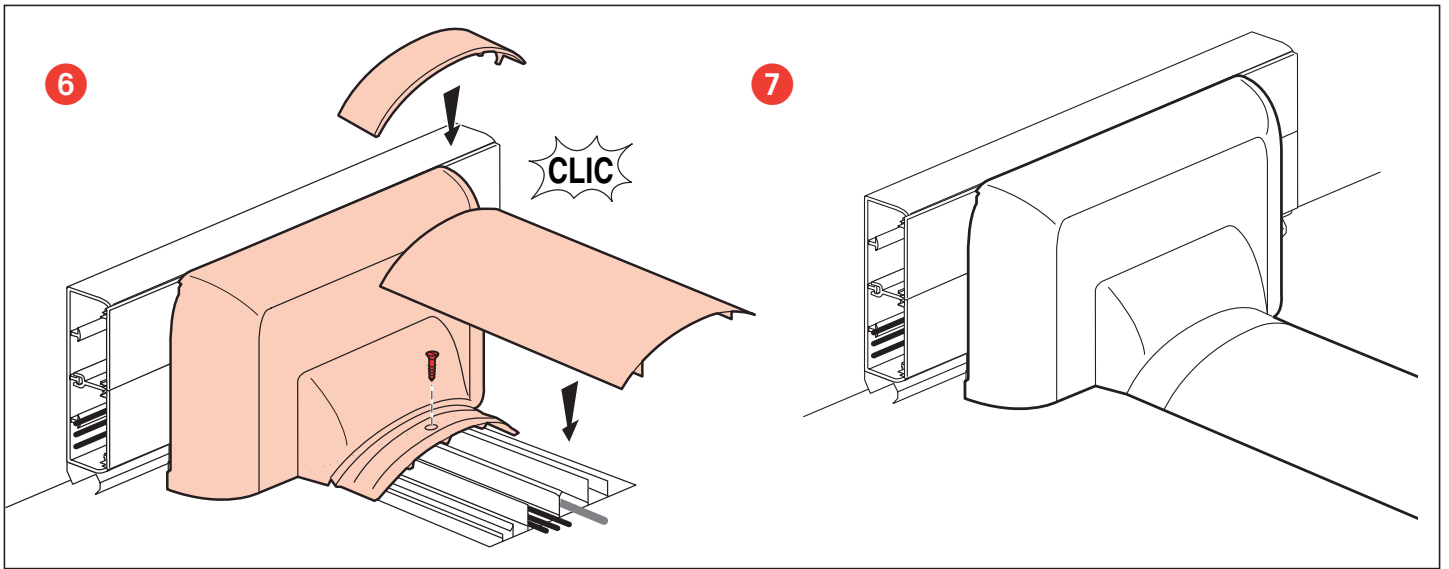
91

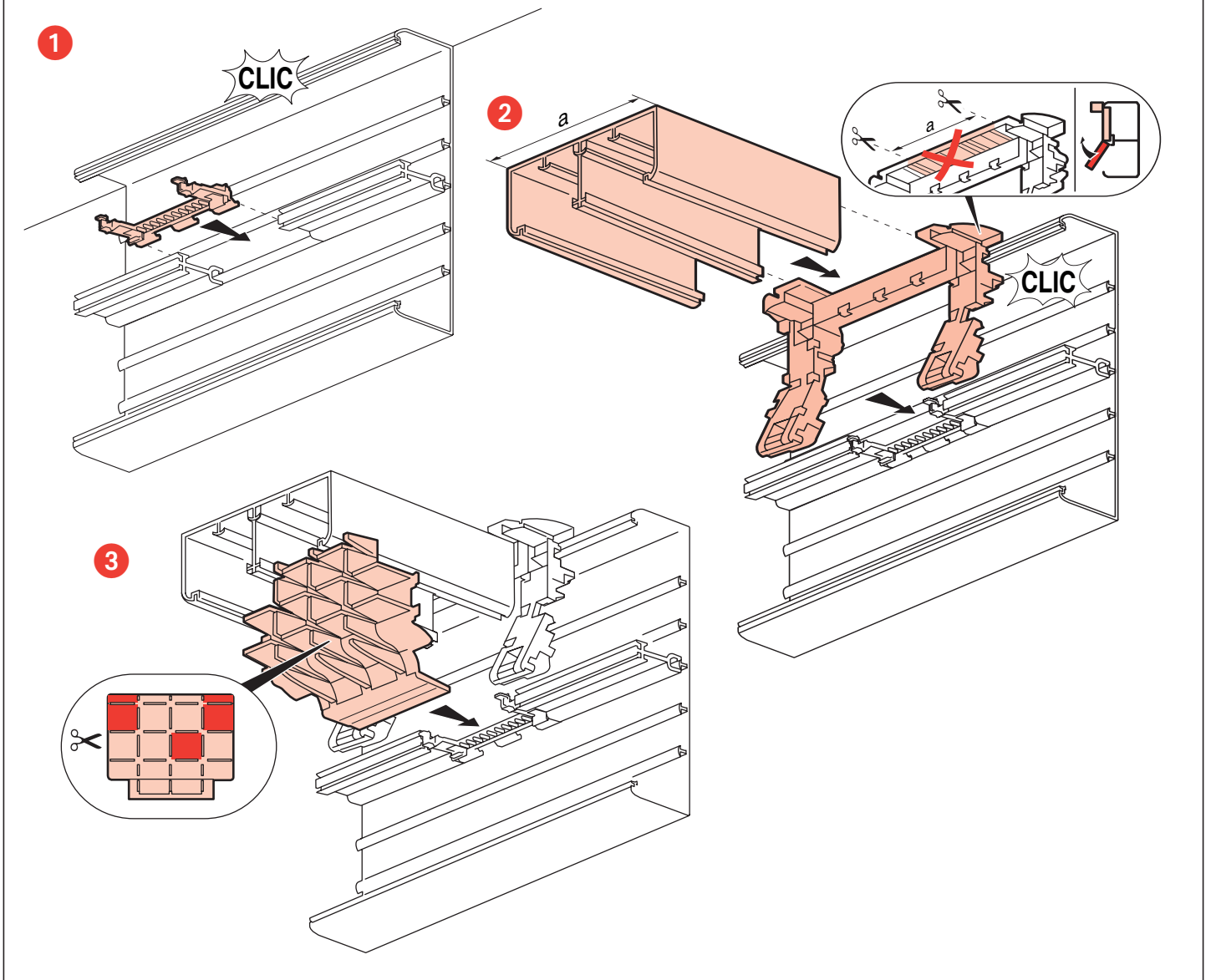
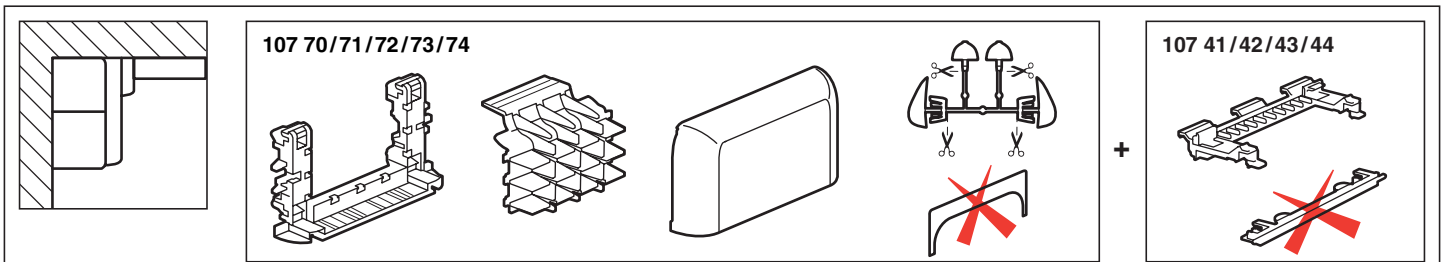
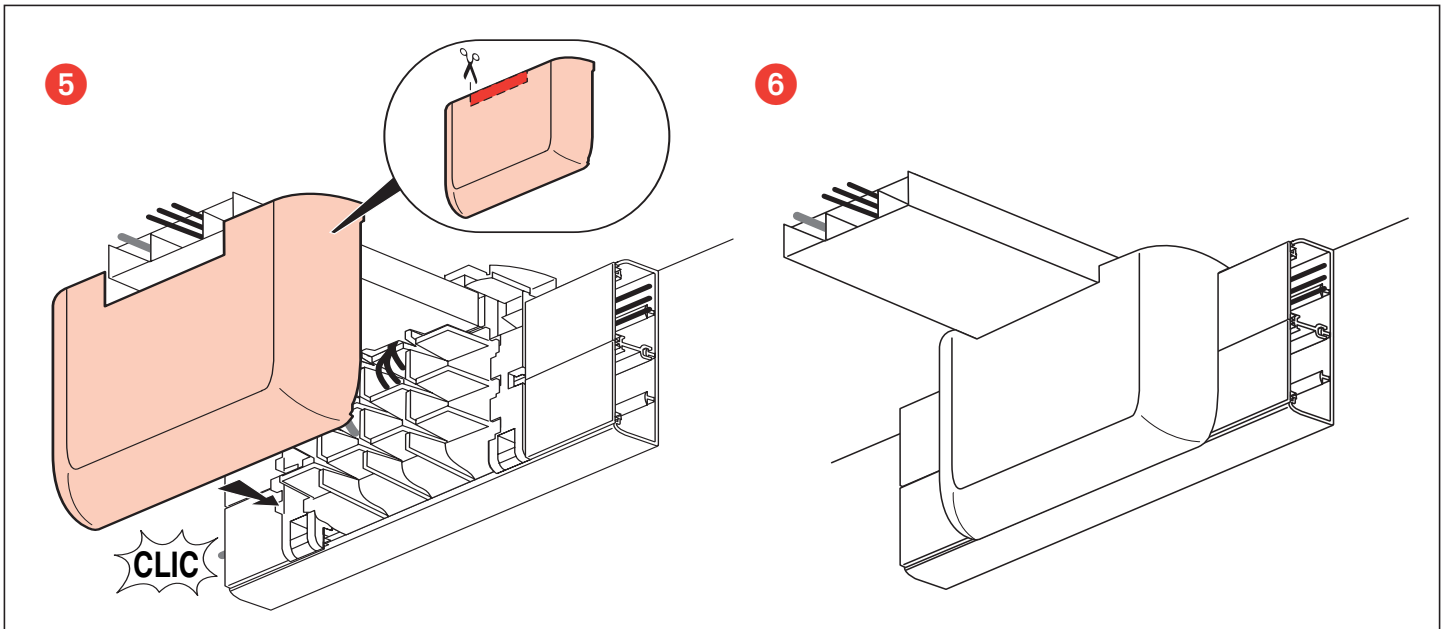
37

91

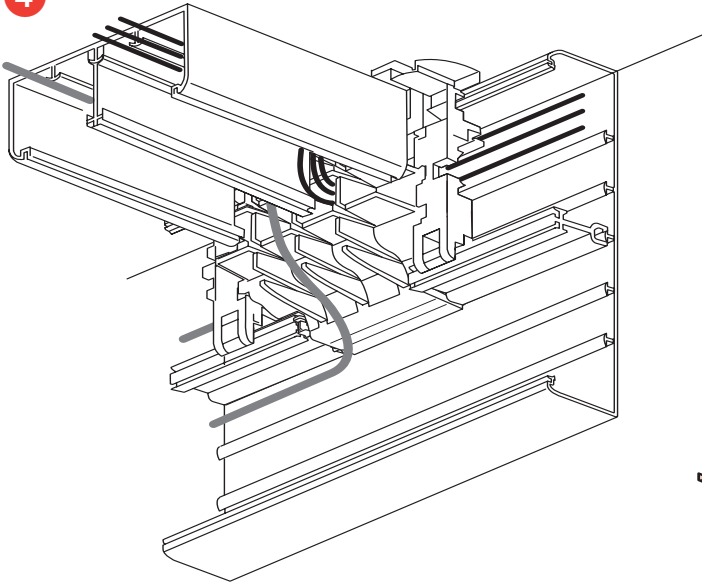
20

105 80

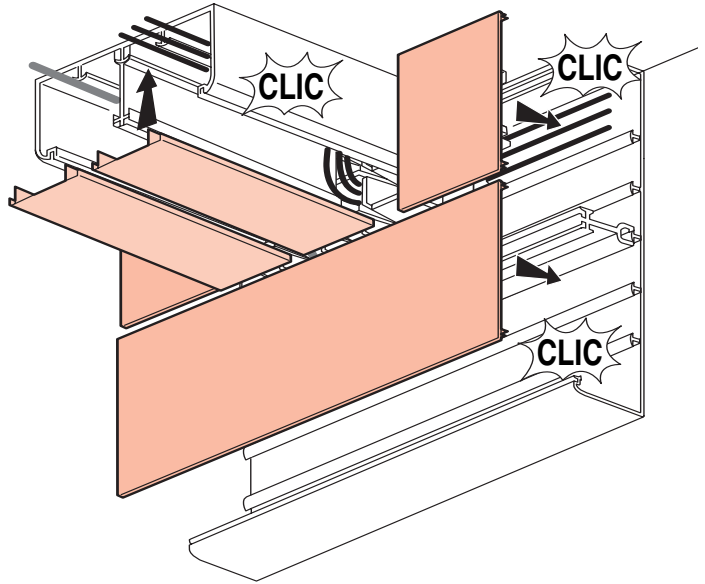




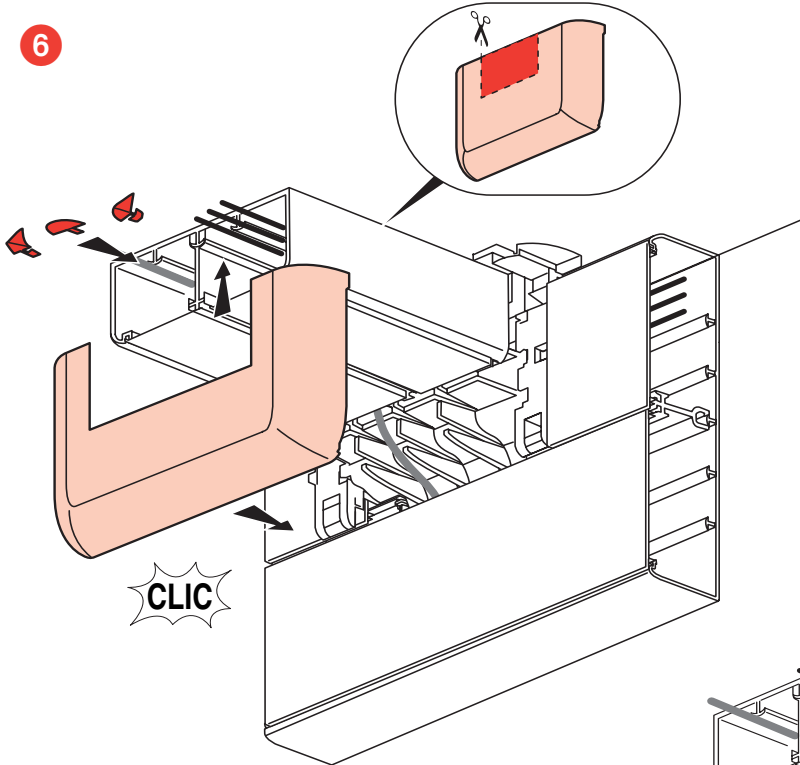
4



5



6



7

