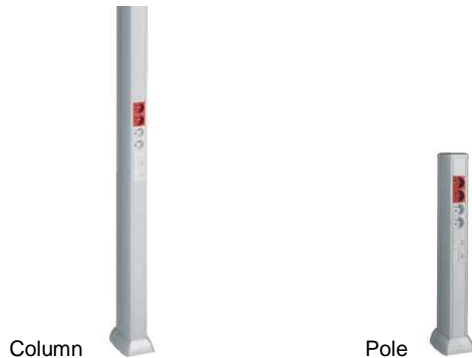


Full Aluminium Columns & Poles.

Number(s) : 6 038 00/01/02/03/05/07/57/58, 0 111 88



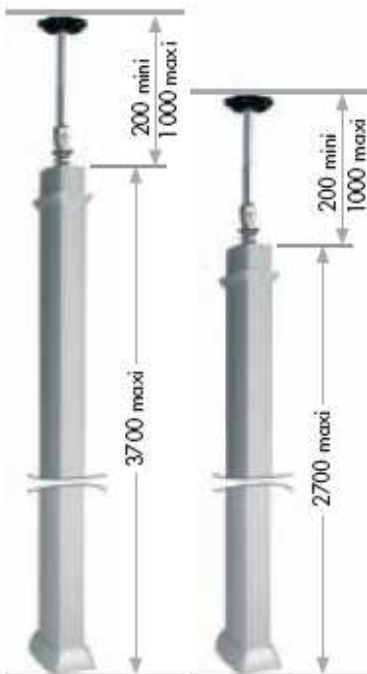
CONTENTS	PAGES
1 Columns	1 to 2
2 Pole	2
3 Accessories	3 to 4
4 Technical characteristics	5 to 8
5 Material characteristics	8

All the system of full aluminium columns offer :

- The cable management
- The use of various types of mounting boxes.
- An internal structure of aluminium with aluminium lids, protection accessories for columns and completion accessories.
- Up to 4 (equipped) mounting boxes.
- Separation of data and energy cables.
- Energy supply by the ground or the overhead.
- Height 2.70m/3.70m (680mm for mini-columns) can be adapted to a ceiling height 3.70m/4.70m.

It's possible to install a partition (in PVC) ref 6 038 07 inside each compartment.

1. Columns ref. 6 038 00/01/02/03.



1. Columns ref. 6 038 00/01/02/03 (continued)

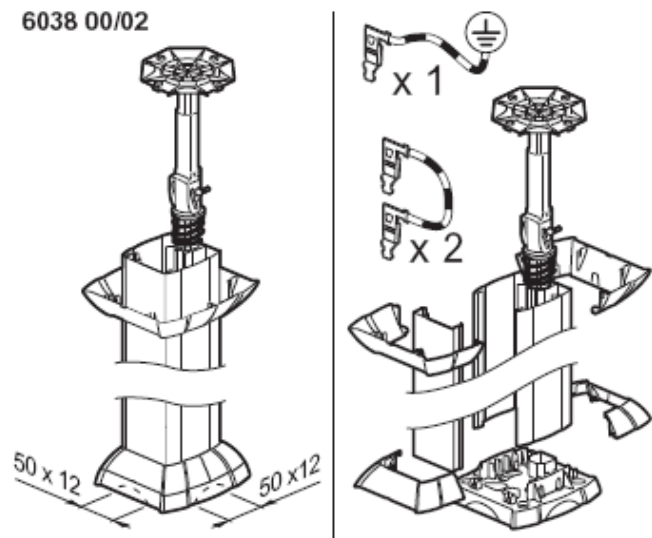


They are composed of :

- An aluminium body of 1 or 2 compartments (following the ref)
- 1 or 2 aluminium anodized lids.
- A telescopic pole with accessories to adjust the height.
- 1 base plate of fixing for the constructional ceiling.
- 1 base plate of fixing for the ground (this base is an adapters floor ducts)
- 2 protection covers
- A bag with earth connection and screws.

1. Columns ref. 6 038 00/01/02/03 (continued)

Columns 1 compartment ref. 6 038 00/02.



They are available in 2 dimensions following the height of the construction ceiling.

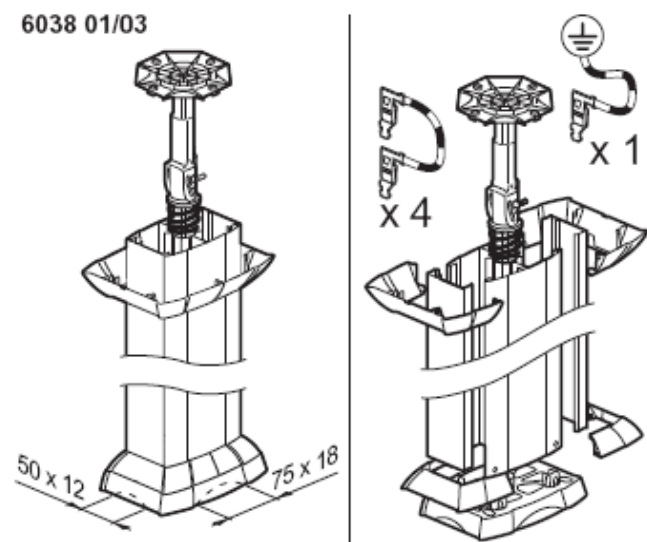
Ref. 6 038 00, Height = 2.70m and can be fixed until height of 3.70m.

Ref. 6 038 02, Height = 3.70m and can be fixed until height of 4.70m.

Note:

On the base plate to fix on the ground, you can only connect floor ducts 50x12

Columns 2 compartments ref. 6 038 01/03.



They are available in 2 dimensions following the height of the construction ceiling.

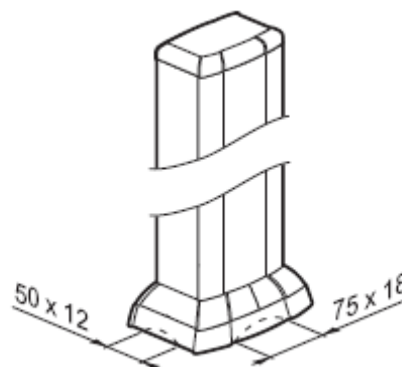
Ref. 6 038 01, Height = 2.70m and can be fixed until height of 3.70m.

Ref. 6 038 03, Height = 3.70m and can be fixed until height of 4.70m.

Note:

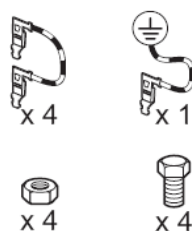
On the base plate to fix on the ground, you can connect floor ducts 50x12 and 75x18

2. Pole ref. 6 038 05.



They are composed of :

- An aluminium body of 2 compartments (height=650mm).
- 2 aluminium lids anodized (height 650mm)
- 1 base plate for fixing to the ground (this base is an adapters floor ducts for 50x12 and 75x18)
- 1 protection cover.
- 1 completion cover.
- A bag with earth connection and screws (screw 6x10 and nut HM6)



The energy supply is made by the ground using technical floor or floor ducts.

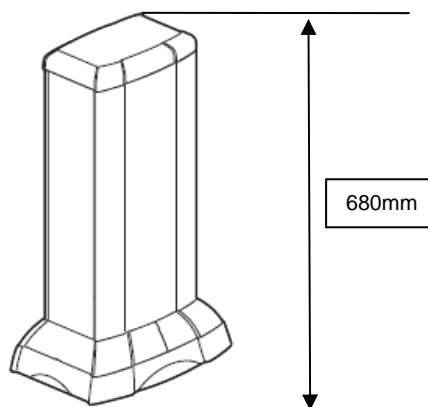
Poles are not mobile.

It's possible to install a partition ref 6 038 07 inside each compartment.

Maximum height in special ordering = 1,30m

Maximum outlets per side = 2 of 6 Mosaic modules.

Dimensions.



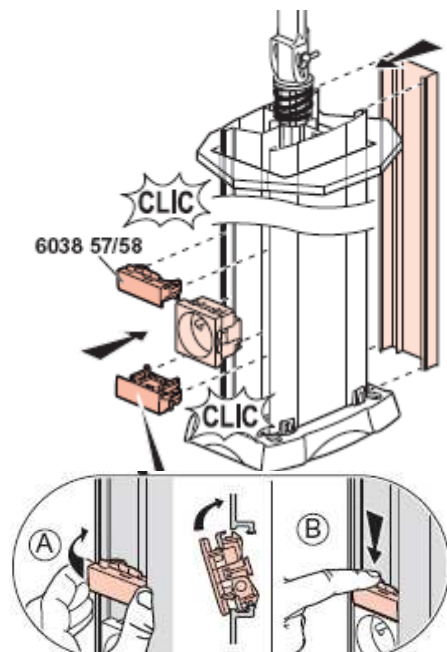
3. Accessories.

3.1. Normaclip ref. 6 038 57/58.

Accessory for fixing wiring devices inside the column

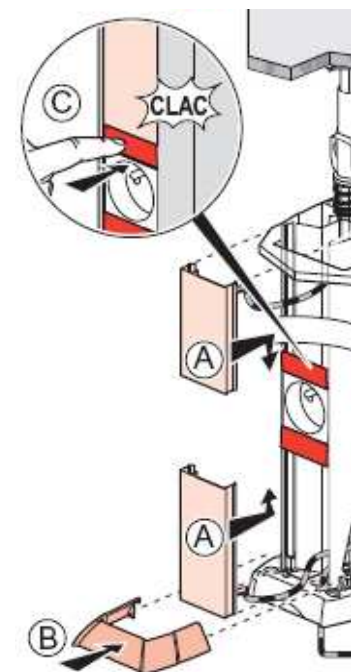
Allows:

- anti-slip
- anti-pullout
- perfect finish
- respect of the degree protection (IP4X)



A - put the normaclip on the body and clip it
B - push it down

After installing the wiring devices:



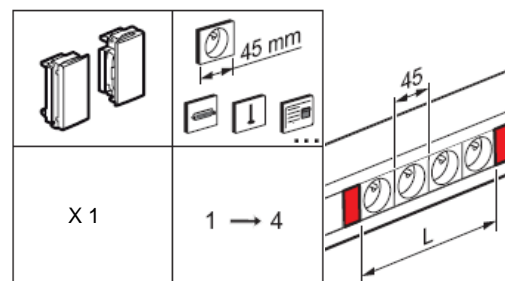
A - fix the covers
B - clip the protection cover
C - push to lock the normaclip

3. Accessories (continued)

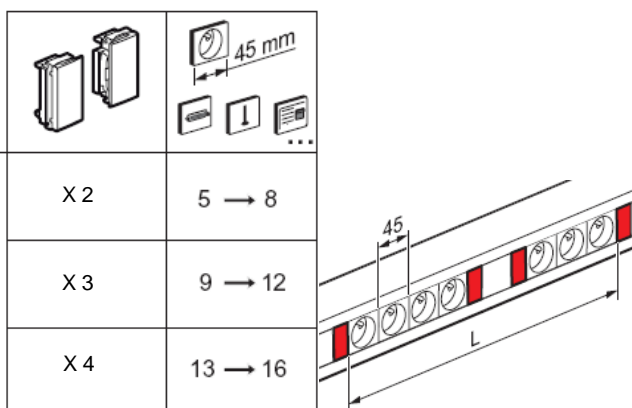
3.1. Normaclip ref. 6 038 57/58 (continued)

Concerning the number max of Mosaic modules can be use between 2 Normaclip, please respect the installation below (as 1 pair for 8 modules max, 2 pairs for 16 modules etc...)

$L \leq 4 \times 45\text{mm}$



$L > 4 \times 45\text{mm}$



White color ref 6 038 57
Aluminium color ref 6 038 58

Pack by 10 (10 set of 2)

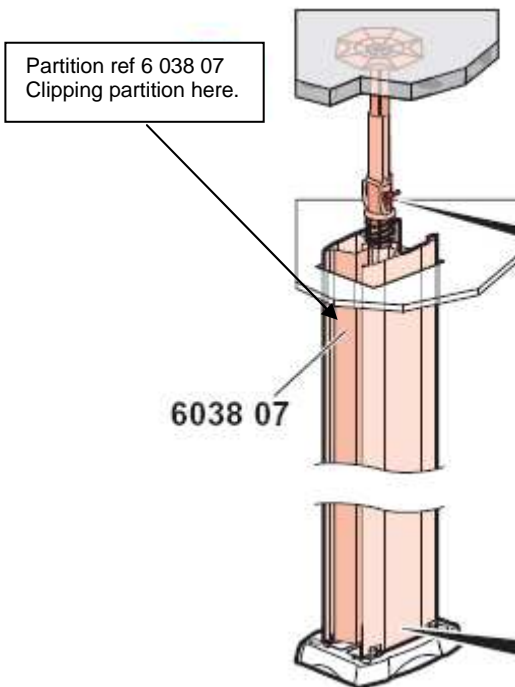
3. Accessories (continued)

3.2. Partition ref. 6 038 07.

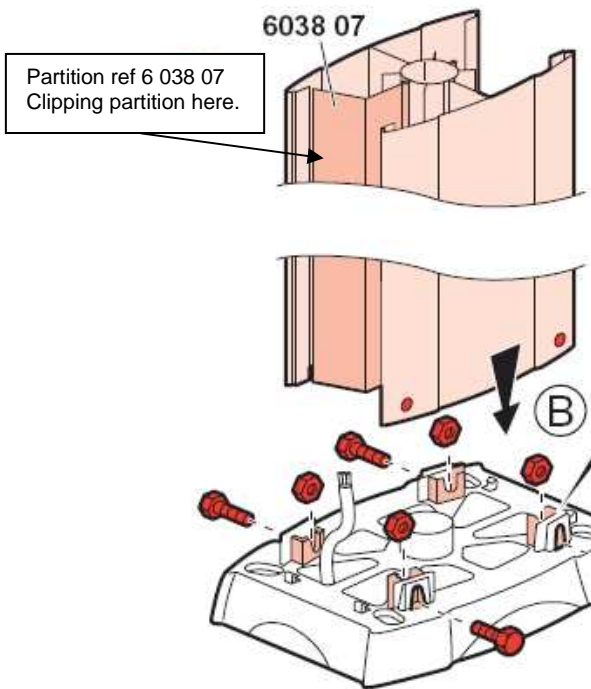
It's possible to install a partition ref. 6 038 07 inside each compartment.

Material : PVC

For columns 1 or 2 compartments



For pole 2 compartments

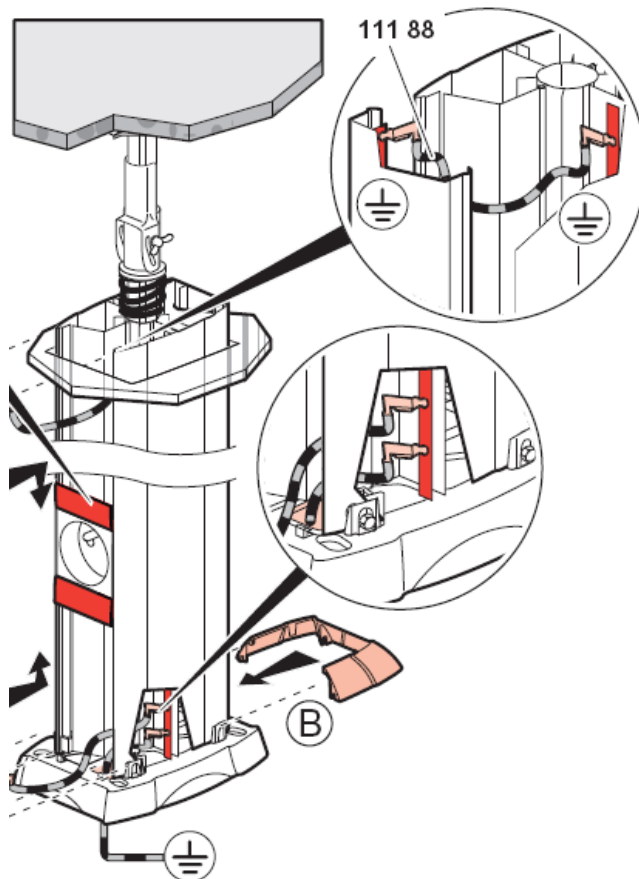


3. Accessories (continued)

3.3. Earth link ref. 0 111 88.

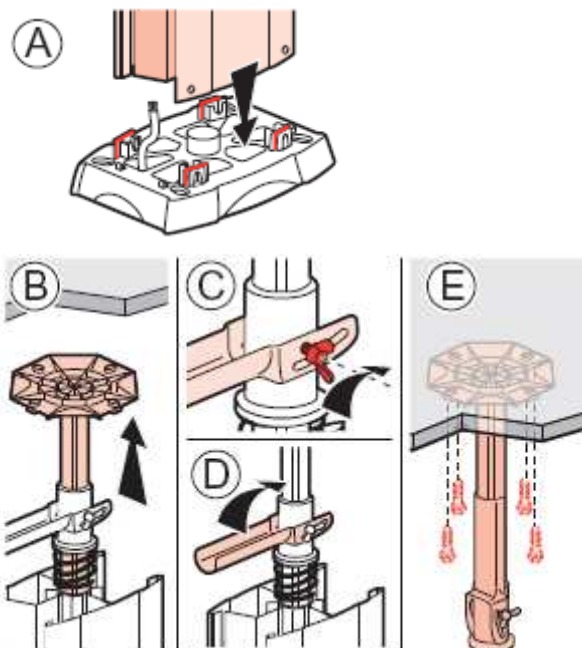


Earth link to ground the columns.



4. Technical characteristics.

To fix columns :



- A - fix the body on the base plate
- B - adjust the telescopic pole between ground and ceiling
- C - tighten using the screw
- D - to fold back the lever against the telescopic pole
- E - fix the base plate or fixing for the overhead to the ceiling

Attention to leave minimal 200mm between the ceiling and the body of the column allowing to correctly fold back the lever against the telescopic pole (locking, to see point 3 above)



Note :

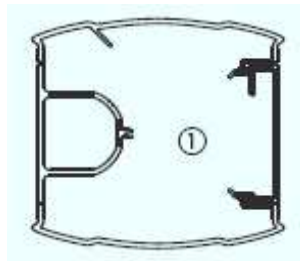
Maximum mounting wiring devices per side = 2 of 8 Mosaic modules.

You can shorten the aluminium body but take care of not cutting the telescopic pole.

The energy supply is made by the ground or the overhead but columns and pole are not mobile.

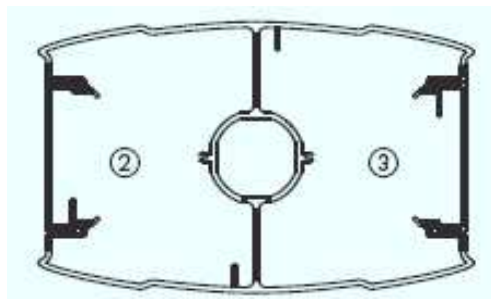
4. Technical characteristics (continued)

Wiring Capacity for columns 1 compartment



	With wiring devices 45	Without wiring devices
Compartment	1	1
Section (mm ²)	2916	4150
Conductor 1.5 ² Ø 3	324	460
Conductor 2.5 ² Ø 3.5	238	338
Cables 3x1.5 ² Ø 9	36	51
Cables 3x2.5 ² Ø 11	24	34
Cables FTP cat.6 or coaxial Ø 7	59	84

Wiring Capacity for columns and poles 2 compartments

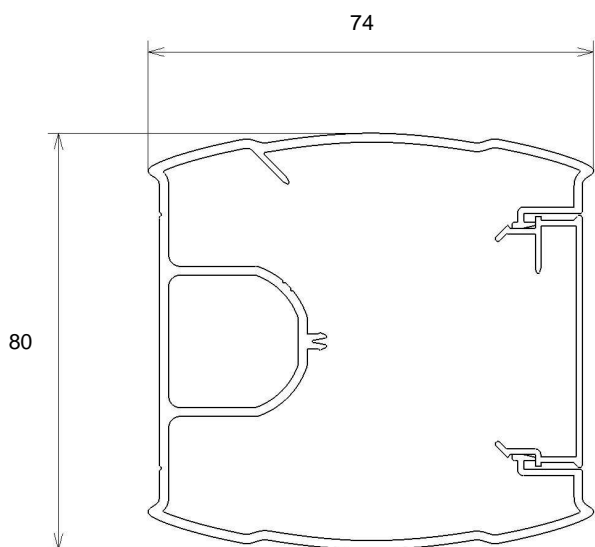


	With wiring devices 45		Without wiring devices	
Compartment	2	3	2	3
Section (mm ²)	2683	2683	3900	3900
Conductor 1.5 ² Ø 3	298	298	435	435
Conductor 2.5 ² Ø 3.5	219	219	319	319
Cables 3x1.5 ² Ø 9	33	33	48	48
Cables 3x2.5 ² Ø 11	22	22	32	32
Cables FTP cat.6 or coaxial Ø 7	54	54	79	79

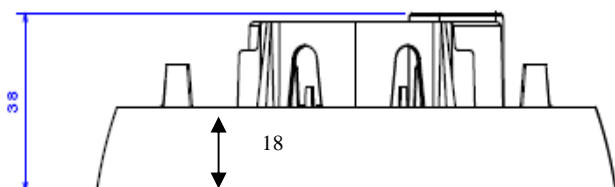
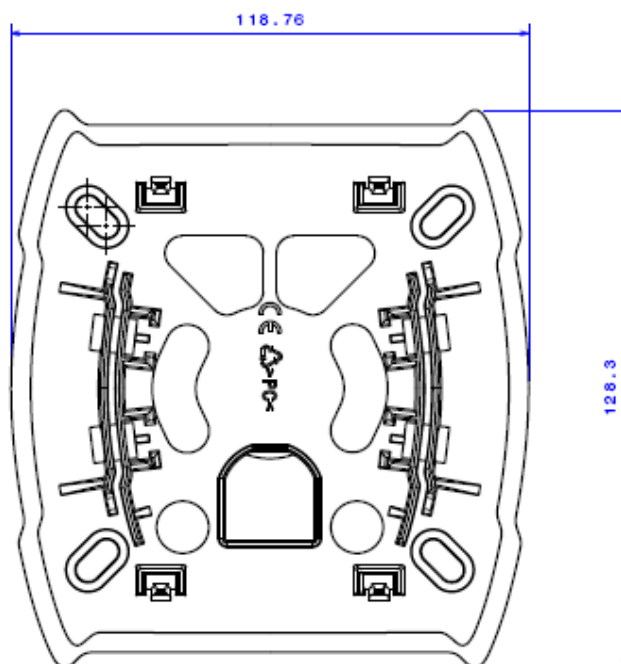
4. Technical characteristics (continued)

For columns 1 compartment ref. 6 038 00/02

Dimensions of body in mm :



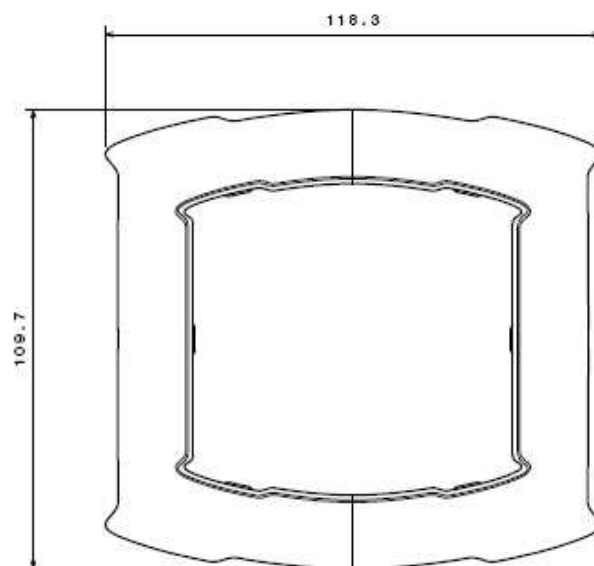
Base plate:



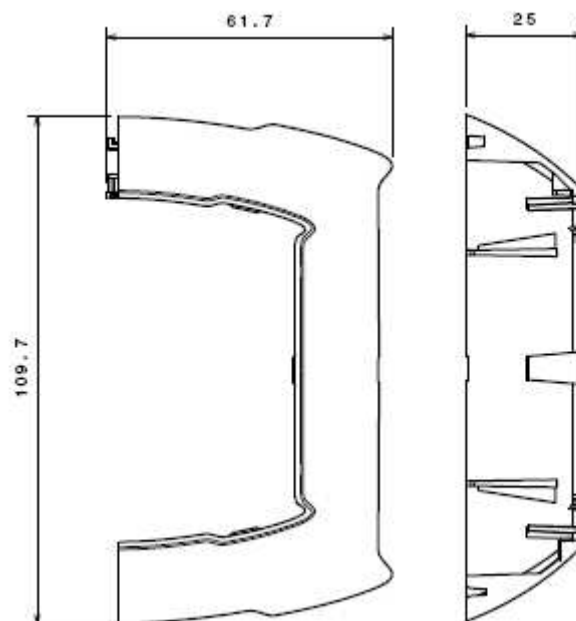
4. Technical characteristics (continued)

For columns 1 compartment ref. 6 038 00/02

Protection cover (x2 pieces)



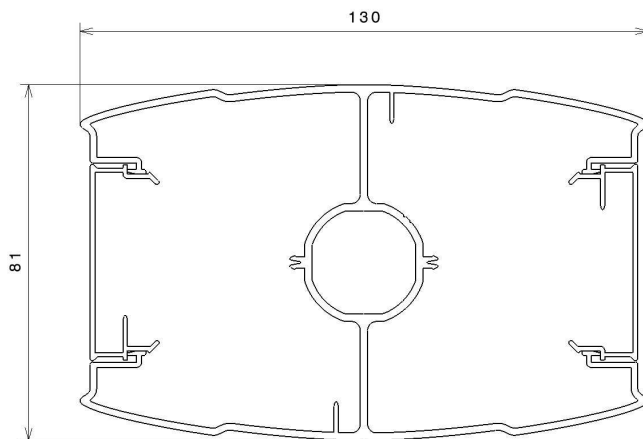
½ protection cover:



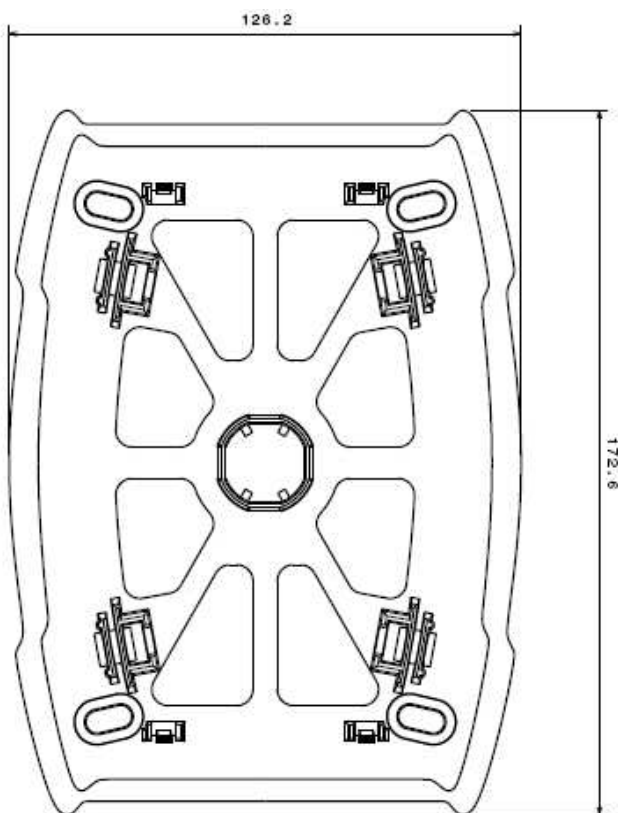
4. Technical characteristics (continued)

For columns and poles 2 compartments ref. 6 038 01/03/05

Dimensions of body in mm :



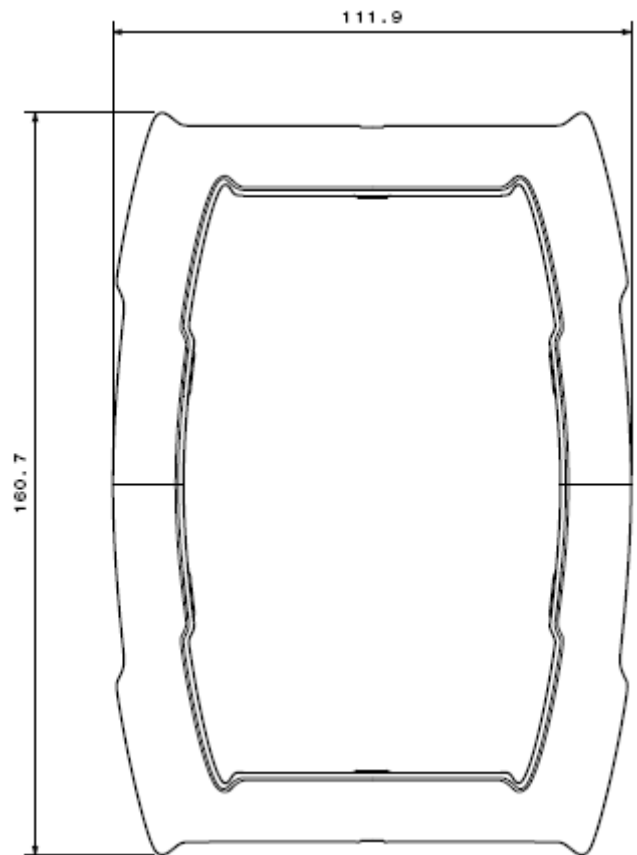
Base plate:



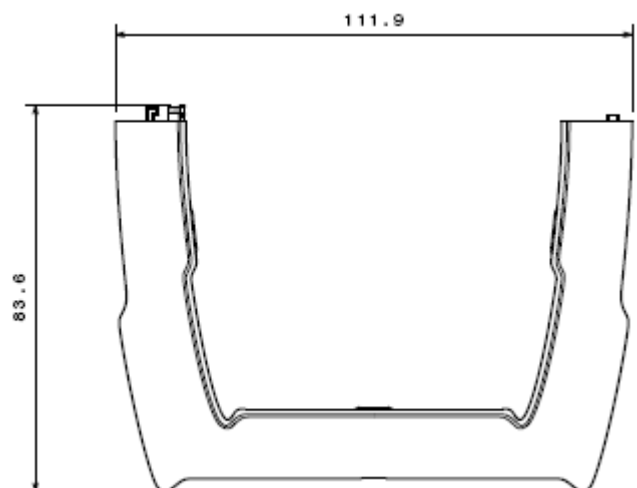
4. Technical characteristics (continued)

For columns and poles 2 compartments ref. 6 038 01/03/05

Protection cover (x2 pieces)



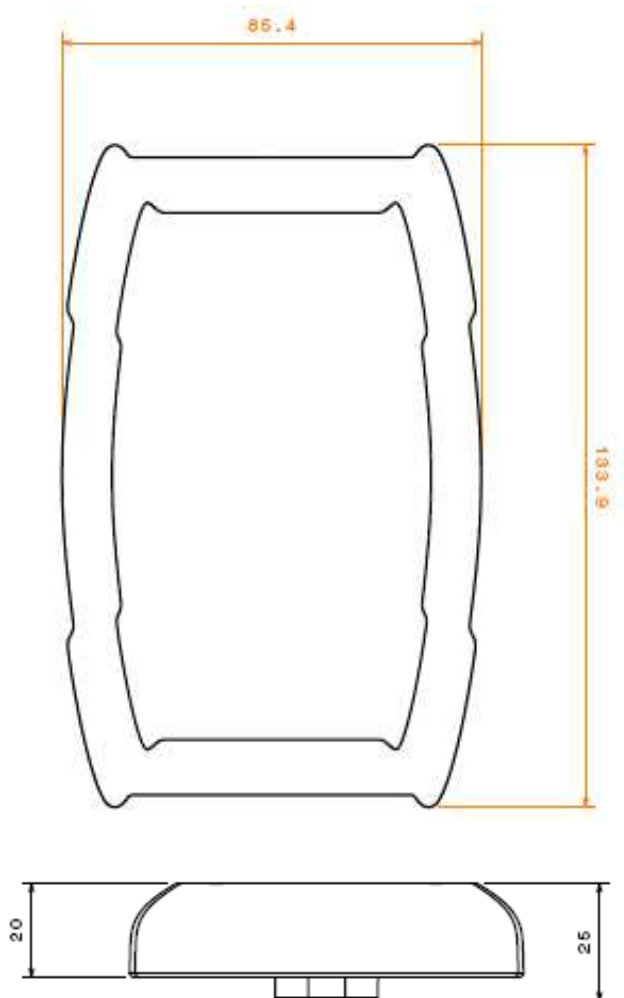
½ protection cover:



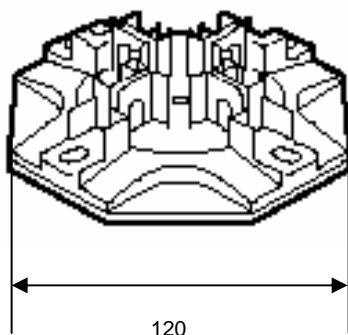
4. Technical characteristics (continued)

For Pole ref. 6 038 05.

Completion cover:



Dimensions in mm for columns base plate for fixing to the overhead
Base plate for fixing to the overhead



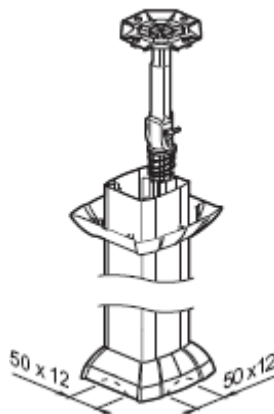
4. Technical characteristics (continued)

Note:

Concerning columns 1 compartment:

On the base plate for fixing to the ground, you can only connect floor ducts 50x12.

6 038 00/02

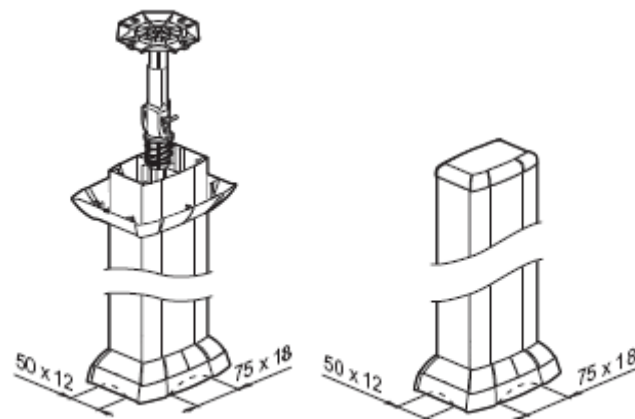


Concerning columns and poles 2 compartments:

On the base plate for fixing to the ground, you can connect floor ducts 50x12 and 75x18.

6 038 01/03

6 038 05



5. Material characteristics

The columns, covers and partitions are in anodized aluminium.

Plastic accessories:

The accessories (base plate for fixing, protection cover, completion cover and normaclip) below are in plastic PVC with painting grey color aluminium.

The base plate for fixing to the overhead are in polycarbonate color black.

Eco conception :

- Aluminium : material 100% recyclable
- Against mechanical shocks: IK07