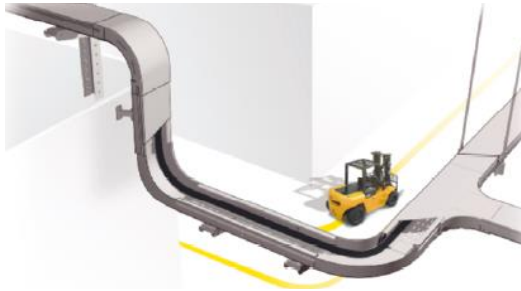


# PVC CABLE TRAYS

Number(s) : see \*



CONTENTS	PAGES
1. Cable Trays	1 to 5
2. Fittings	6 to 8
3. Couplers	8 to 9
4. Supports	10 to 16
5. Technical characteristics	17 to 23

\* Number(s) :

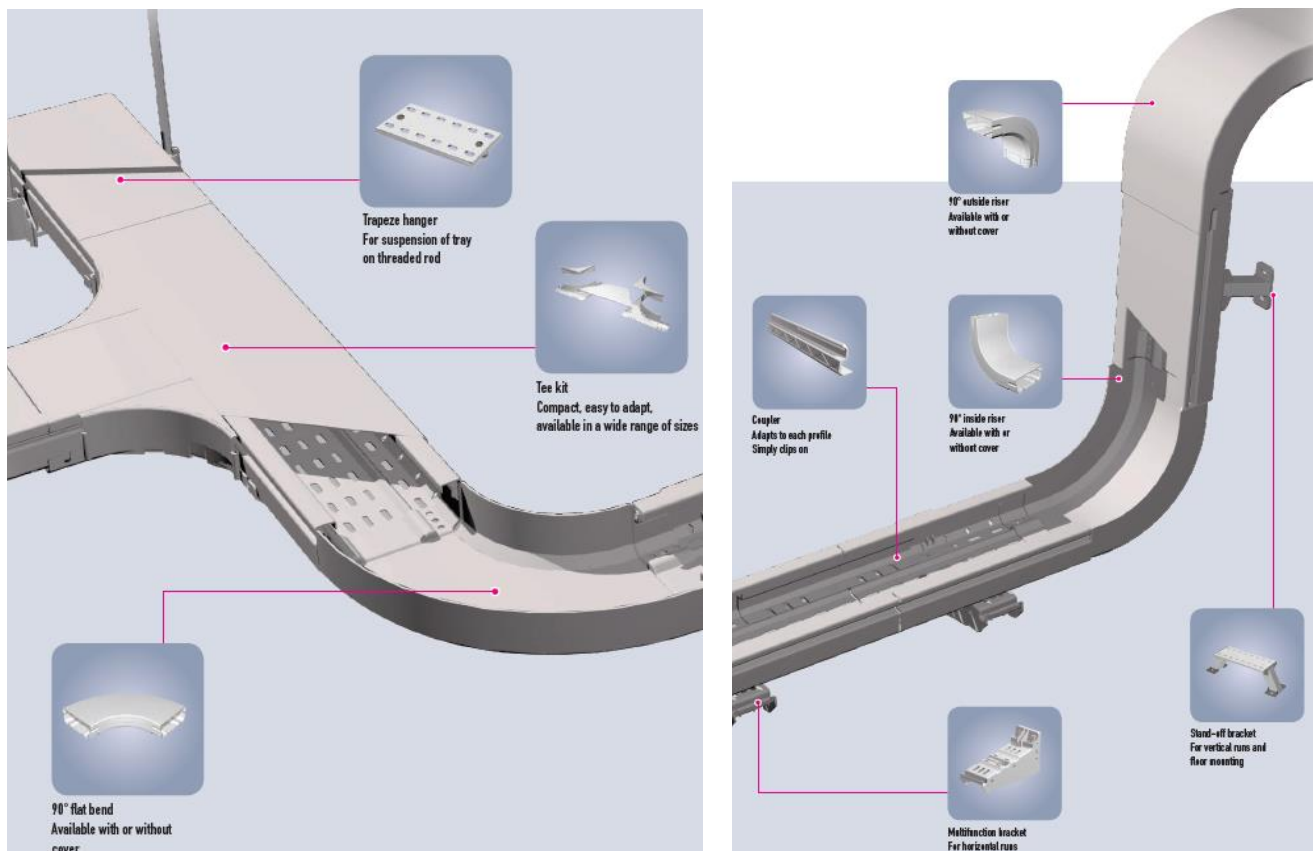
637700/01/03/05/07/08/10/11/13/15/17/18/20/21/23/25/27/28/30/31/33/35/37/38/40/41/43/45/47/48/50/51/53/55/57/58/60 to 69/71 to 75/81 to 85/88/90/91/93

637800/01/03/05/07/08/10/11/13/15/17/18/20/21/23/25/27/28/30/31/33/35/37/38/40/41/43/45/47/48/50/51/53/55/57/58/70 to 75/88/90/91

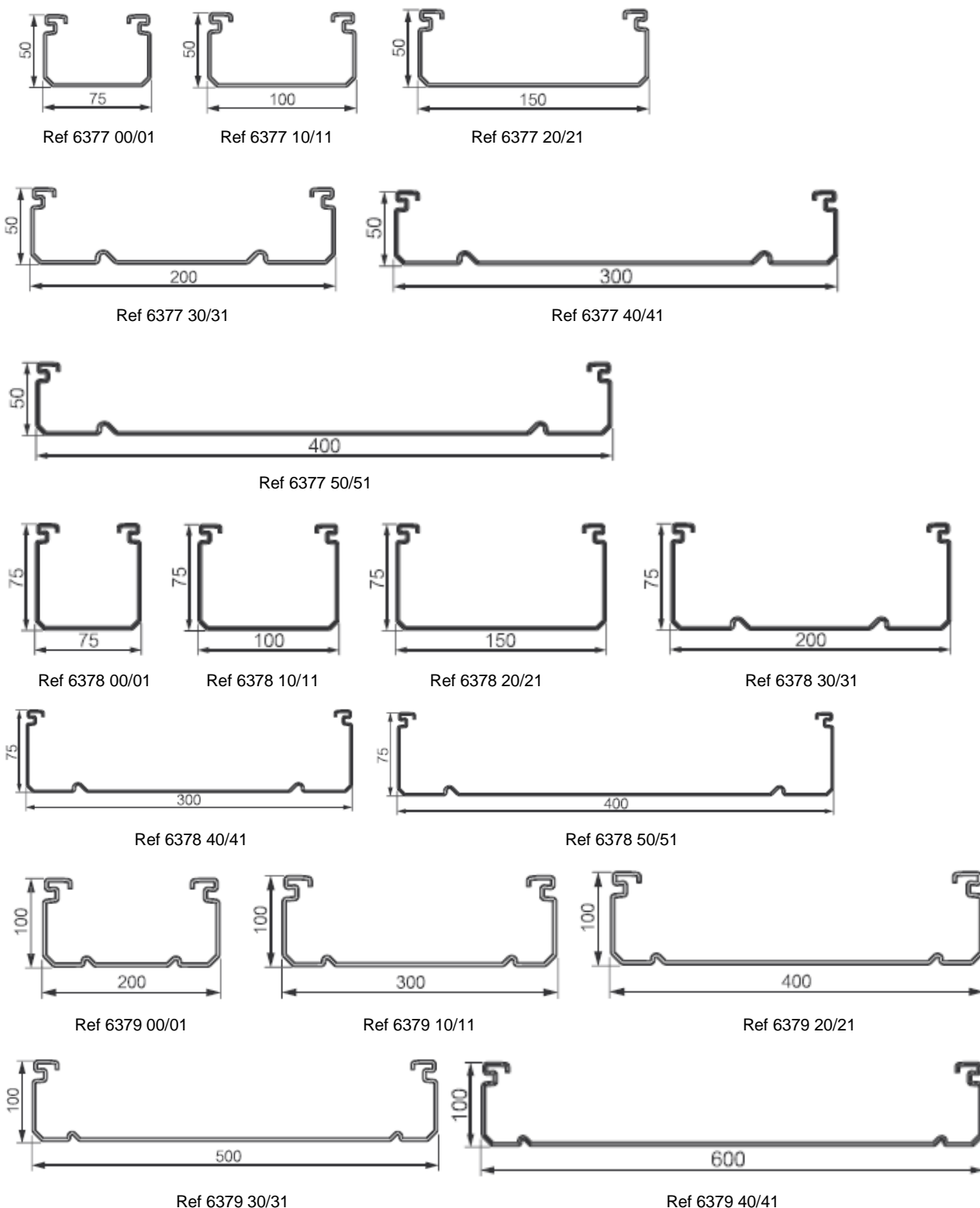
637900/01/03/05/07/08/10/11/13/15/17/18/20/21/23/25/27/28/30/31/33/35/37/38/40/41/43/45/47/48/50 to 56/63/64/70 to 74/76 to 81/83 to 86/90/94 to 99

19159 -19212/13

## 1. CABLE TRAYS



1. CABLE TRAYS (continued)

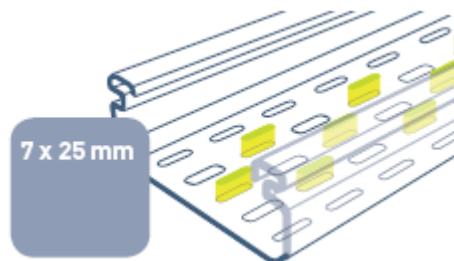
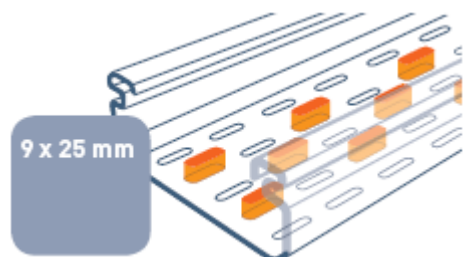


## 1. CABLE TRAYS (continued)

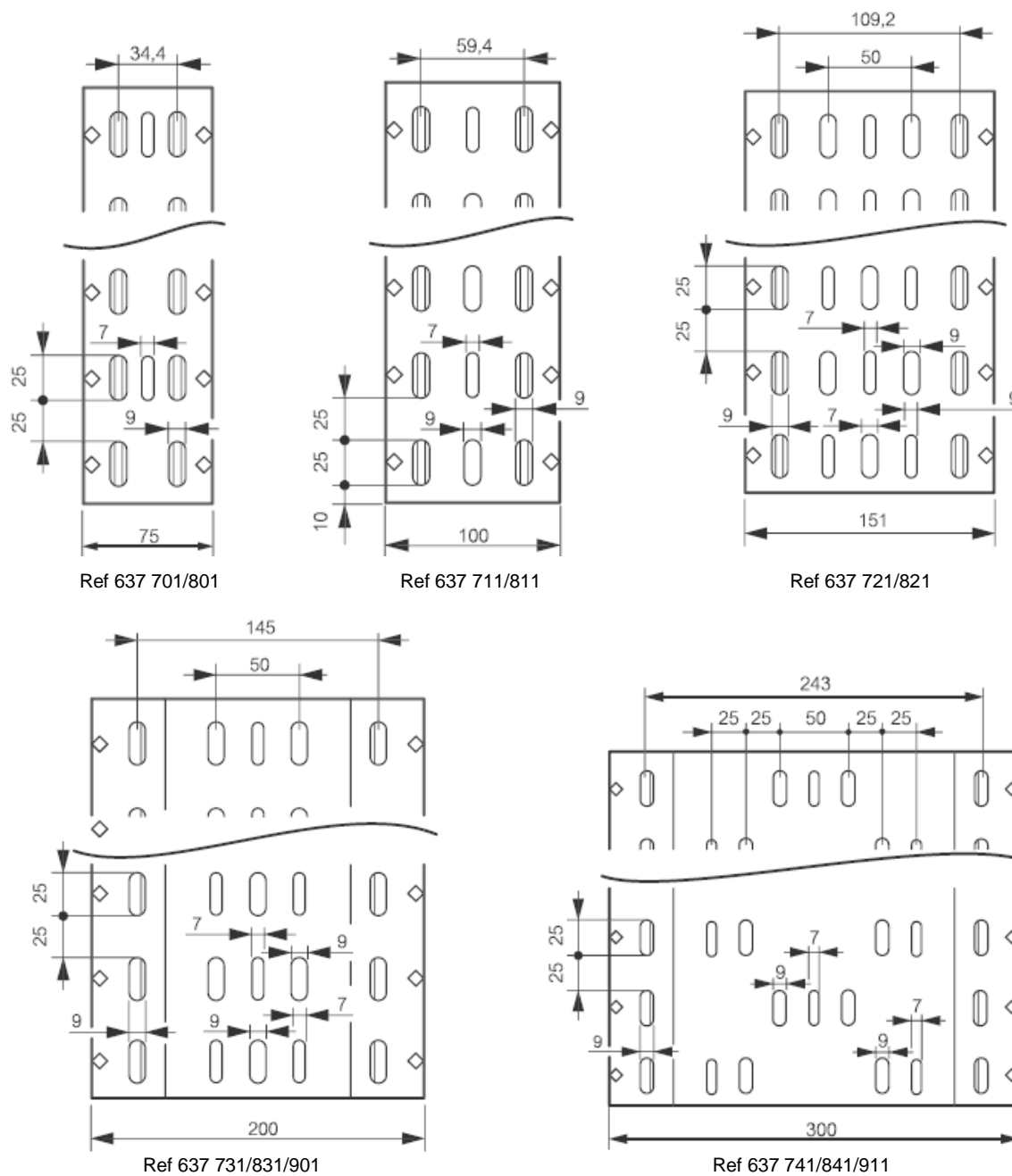
Perforated base for easy installation:

9x25mm perforation for PVC screws M8

7x25mm perforation for metal screws M6

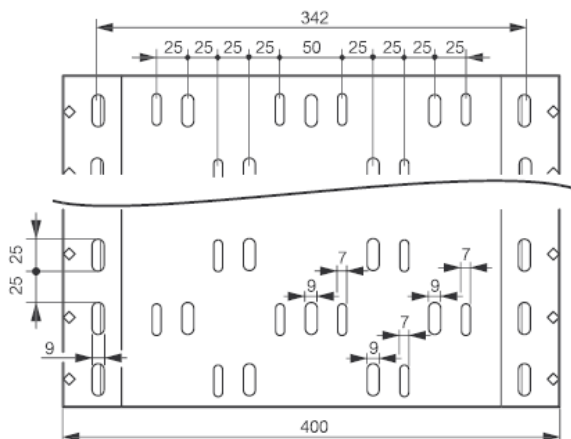


Perforation details :

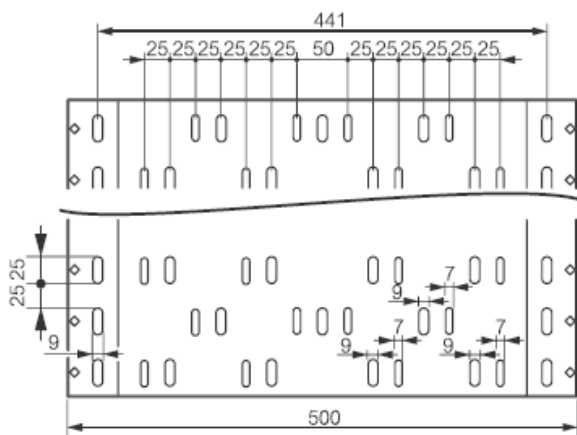


## 1. CABLE TRAYS (continued)

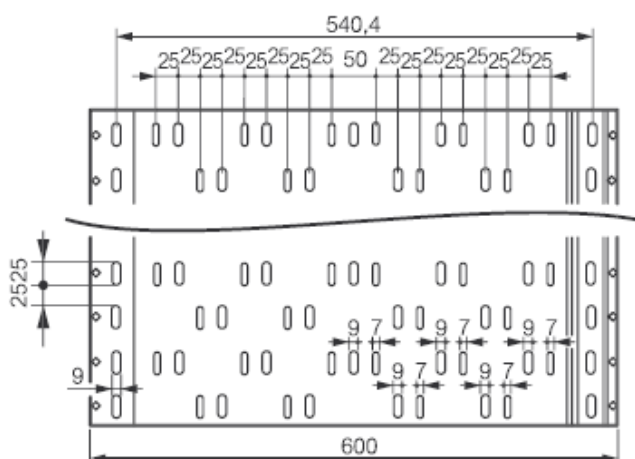
Perforation details :



Ref 637 751/851/921



Ref 637 931



Ref 637 941

## 1. CABLE TRAYS (continued)

PVC cable tray can be installed in both commercial and industrial environments.

- Damp, saline environments:

Ports, offshore installations, purification stations, spas, swimming pools, airports, railways stations, bridges, etc...

The specific characteristics of PVC combined with Legrand's expertise in cable tray systems provide a product solution that is both easy and safe to install...whatever the site, whatever the configuration.

- Industrial environments:

Chemical or petrochemical sites, paper industries, food processing, etc...

- Commercial sector:

Storage areas, car parks, offices, service ducts, etc...

- Indoors or outdoors:

Can be installed outdoors as the whole range offers UV protection and weatherproofing

17 profiles available :

3 depths : 50/75/100mm

Width 75 to 600mm

Perforated and unperforated, standard and reinforced profiles

Standard  
up to  
150 mm



Totally flat profile, optimising the cabling capacity

Reinforced  
above  
200 mm



With 2 ribs on the base to take higher loads

Advantages :

PVC is corrosion-free and has excellent resistance to chemical agents and damp environments, giving it a long service life. A product that lasts longer needs to be replaced less quickly and thus generates less waste and material to be recycled

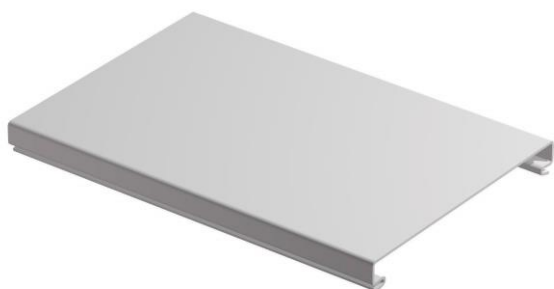
PVC is light to handle and transport. It is easy to cut, perforate or join together and causes little damage to cables or injury to hands. It does not need to be earthed.

Choosing PVC cable trays is also environmentally responsible, as PVC is a 100% recyclable material, both physically and chemically, and in terms of energy.

PVC cable tray range fully complies with the requirements of the RoHS directive, which stipulates the elimination of several substances that are hazardous for the environment and for health.

## 1. CABLE TRAYS (continued)

Covers ref 6377 60/61/62/63/64/65 & 6379 63/64

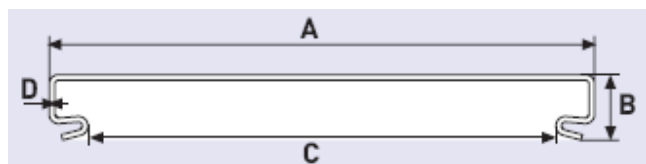


Delivered in lengths of 3m

Cover clips onto trunking base and can be removed by using tool (ex: screwdriver)

Code	Pack
6377 60	24m
6377 61	24m
6377 62	18m
6377 63	12m
6377 64	12m
6377 65	12m
6379 63	12m
6379 64	12m

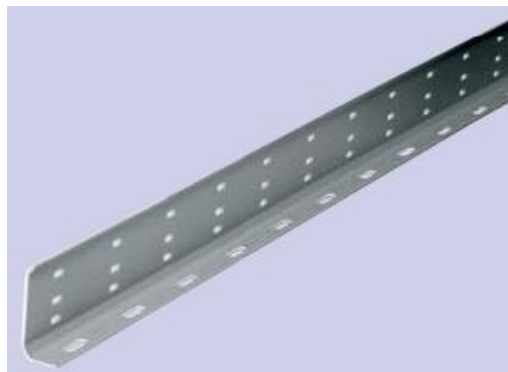
Dimensions en mm :



Code	a	b	c	d
6377 60	75	15.6	56.6	1.2
6377 61	100	15.6	81.6	1.2
6377 62	150	15.9	131.6	1.2
6377 63	200	23.9	171.6	2
6377 64	300	25.3	271.6	2.5
6377 65	400	25.3	371.6	2.5
6379 63	500	28.1	471.6	2.8
6379 64	600	28.1	571.6	2.8

## 1. CABLE TRAYS (continued)

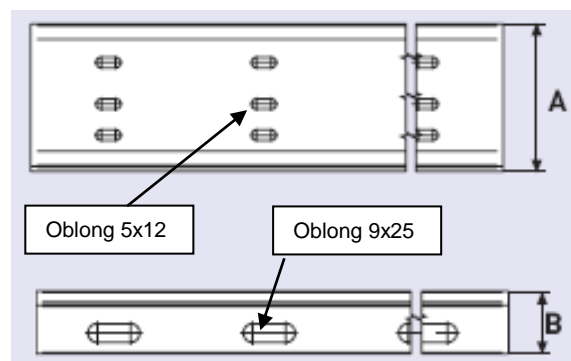
Dividers ref 6377 88, 6378 88 & 6379 88



Delivered in lengths of 3m  
Allowing a perfect separation of compartments

Code	Pack
6377 88	42m
6378 88	30m
6379 88	24m

Dimensions en mm :



Slots 9x25mm in base of divider allow fixing with M8 screws

Code	A	B
6377 88	46.46	30
6378 88	71.56	30
6379 88	95.16	30

## 2. FITTINGS

2.1 Inside 90° risers ref 6377 05/15/25/35/45/55, 6378 05/15/25/35/45/55, 6379 05/15/25/35/45

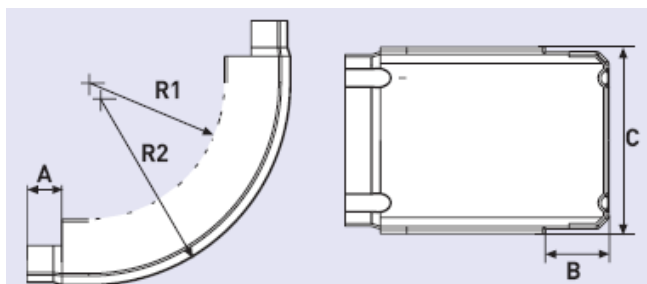


PVC

The thermoformed fittings with integrated couplers can be adapted to any configuration. With a consistent 150mm radius, they prevent any damage to cables, allowing them to slide through easily. Covers simply clip on and profiles can be fixed to the wall or suspended from ceilings.  
Delivered with cover

Reference	Pack	Use with profile
6377 05	4 pcs	50x75
6377 15	4 pcs	50x100
6377 25	4 pcs	50x150
6377 35	2 pcs	50x200
6377 45	2 pcs	50x300
6377 55	1 pcs	50x400
6378 05	4 pcs	75x75
6378 15	4 pcs	75x100
6378 25	4 pcs	75x150
6378 35	2 pcs	75x200
6378 45	2 pcs	75x300
6378 55	1 pcs	75x400
6379 05	1 pcs	100x200
6379 15	1 pcs	100x300
6379 25	1 pcs	100x400
6379 35	1 pcs	100x500
6379 45	1 pcs	100x600

Dimensions in mm :



Width	A	C	R1	R2
75	52	68	150	200
100	52	93	150	200
150	52	142	150	200
200	52	190	150	200
300	52	289	150	200
400	52	388	150	200
500	52	488	150	200
600	52	587	150	200

B = 52, 75 or 98mm

## 2. FITTINGS (continued)

2.2 Outside 90° risers ref 6377 07/17/27/37/47/57, 6378 07/17/27/37/47/57, 6379 07/17/27/37/47

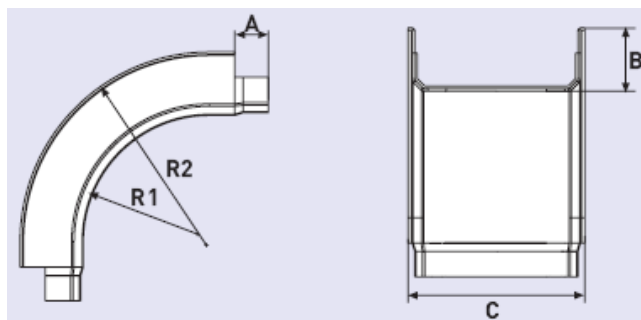


PVC

The thermoformed fittings with integrated couplers can be adapted to any configuration. With a consistent 150mm radius, they prevent any damage to cables, allowing them to slide through easily. Covers simply clip on and profiles can be fixed to the wall or suspended from ceilings.  
Delivered with cover

Reference	Pack	Use with profile
6377 07	4 pcs	50x75
6377 17	4 pcs	50x100
6377 27	4 pcs	50x150
6377 37	2 pcs	50x200
6377 47	2 pcs	50x300
6377 57	1 pcs	50x400
6378 07	4 pcs	75x75
6378 17	4 pcs	75x100
6378 27	4 pcs	75x150
6378 37	2 pcs	75x200
6378 47	2 pcs	75x300
6378 57	1 pcs	75x400
6379 07	1 pcs	100x200
6379 17	1 pcs	100x300
6379 27	1 pcs	100x400
6379 37	1 pcs	100x500
6379 47	1 pcs	100x600

Dimensions in mm :



Width	A	C	R1	R2
75	52	68	150	200
100	52	93	150	200
150	52	142	150	200
200	52	190	150	200
300	52	289	150	200
400	52	388	150	200
500	52	488	150	200
600	52	587	150	200

B = 52, 75 or 98mm

## 2. FITTINGS (continued)

2.3 Flat 90° bends ref 6377 03/13/23/33/43/53, 6378 03/13/23/33/43/53, 6379 03/13/23/33/43

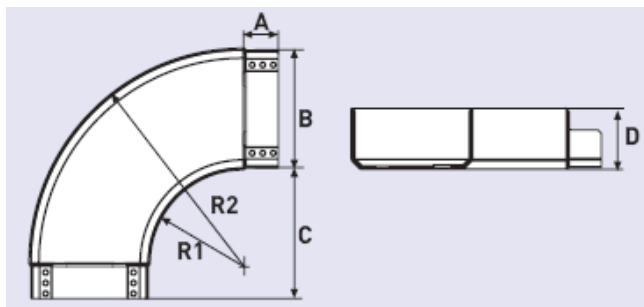


PVC

The thermoformed fittings with integrated couplers can be adapted to any configuration. With a consistent 150mm radius, they prevent any damage to cables, allowing them to slide through easily. Covers simply clip on and profiles can be fixed to the wall or suspended from ceilings. Delivered with cover

Reference	Pack	Use with profile
6377 03	4 pcs	50x75
6377 13	4 pcs	50x100
6377 23	4 pcs	50x150
6377 33	2 pcs	50x200
6377 43	2 pcs	50x300
6377 53	1 pcs	50x400
6378 03	4 pcs	75x75
6378 13	4 pcs	75x100
6378 23	4 pcs	75x150
6378 33	2 pcs	75x200
6378 43	2 pcs	75x300
6378 53	1 pcs	75x400
6379 03	1 pcs	100x200
6379 13	1 pcs	100x300
6379 23	1 pcs	100x400
6379 33	1 pcs	100x500
6379 43	1 pcs	100x600

Dimensions in mm :



Width	A	B	C	R1	R2
75	52	68	210	150	224
100	52	93	210	150	249
150	52	142	210	150	298
200	52	190	210	150	346
300	52	289	210	150	445
400	52	388	210	150	544
500	52	488	210	150	644
600	52	587	210	150	743

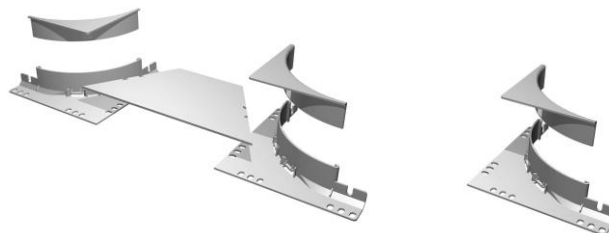
D = 52, 75 or 98mm

## 2. FITTINGS (continued)

2.4 Derivation ref 6378 60/70/71/72/73/74/75, 6379 60/70/71/72/73/74

T branch Kit

Branch piece



Kit contains 2 branch pieces + 1 base plate to assemble into 1 finished Tee piece

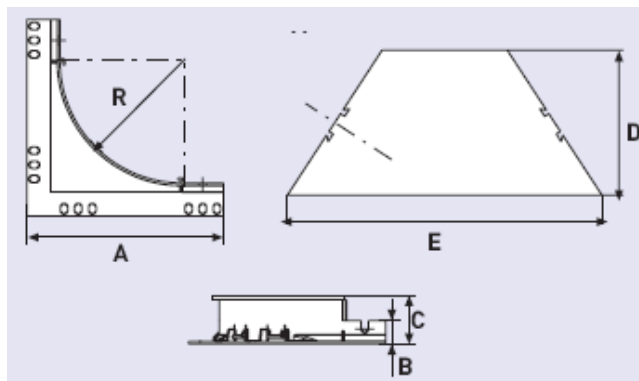
Use 1 kit for a tee or 2 kits for a cross piece.

H 50/75	H 100
Ref 6378 70 width 75 (pack by 4)	Ref 6379 70 width 200 (pack by 1)
Ref 6378 71 width 100 (pack by 2)	Ref 6379 71 width 300 (pack by 1)
Ref 6378 72 width 150 (pack by 2)	Ref 6379 72 width 400 (pack by 1)
Ref 6378 73 width 200 (pack by 1)	Ref 6379 73 width 500 (pack by 1)
Ref 6378 74 width 300 (pack by 1)	Ref 6379 74 width 600 (pack by 1)
Ref 6378 75 width 400 (pack by 1)	/

Branch piece : universal branch piece

H 50/75, ref 6378 60 (pack by 2)  
H100, ref 637960 (pack by 2)

Dimensions in mm :



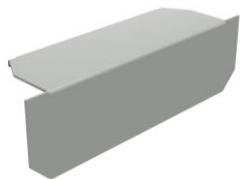
Width	A	B	D	E	R
75	237	28	164	233	150
100	237	28	164	260	150
150	237	28	164	310	150
200	237	28	164	362	150
300	237	28	164	461	150
400	237	28	164	556	150
500	237	28	164	659	150
600	237	28	164	756	150

c = 53mm for profiles H 50 and 75  
c = 78mm for profiles H 100

Note, installation instructions on page 21

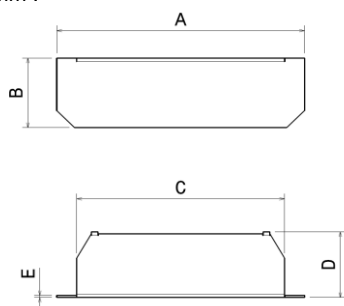
## 2. FITTINGS (continued)

2.5 End caps ref 6377 08/18/28/38/48/58, 6378 08/18/28/38/48/58 & 6379 08/18/28/38/48



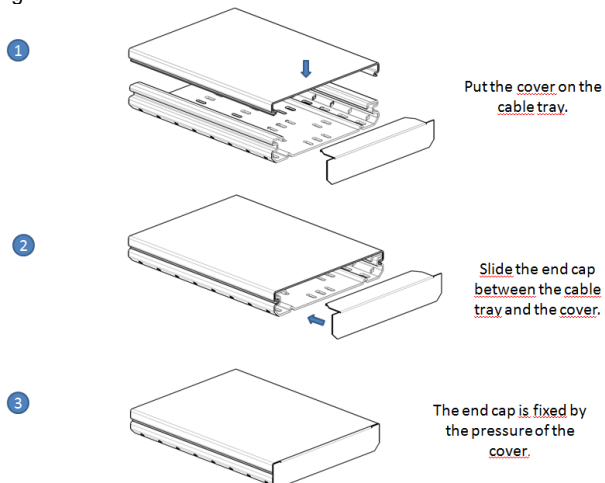
Allows to close the end of the tray:  
 - to maintain the protection degree  
 - improvement of aesthetics (covering of the cut)  
 Pack by 2

Dimensions in mm :



		A	B	C	D	E
50x75	637 708	74	51,2	52	31,5	1,5
50x100	637 718	99	51,2	77	31,5	1,5
50x150	637 728	149	51,7	126	31,5	1,5
50x200	637 738	196	52	156	31,5	1,5
50x300	637 748	299	54,5	272	51,5	1,5
50x400	637 758	399	55,5	370	51,5	1,5
75x75	637 808	74	76	52	34,5	1,5
75x100	637 818	99	76,2	77	31,5	1,5
75x150	637 828	149	76,8	126	31,5	1,5
75x200	637 838	199	76,6	156	31,5	1,5
75x300	637 848	299	79,5	274	51,5	1,5
75x400	637 858	399	80,3	372	51,5	1,5
100x200	637 908	199	102	170	51,5	1,5
100x300	637 918	299	102	250	51,5	1,5
100x400	637 928	399	103,9	370	81,5	1,5
100x500	637 938	499	104,2	440	81,5	1,5
100x600	637 948	599	105	540	81,5	1,5

Fitting :



## 3. COUPLERS (continued)

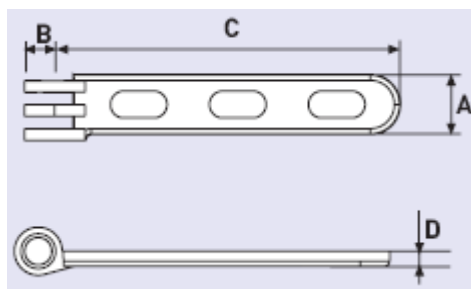
3.1 Hinged couplers ref 6377 93 & 6379 93



Clips into place, can be secured by screw or rapid fix rivet.  
 Dimples facilitate positioning and allow for dilatation/expansion

Pack by 20 pcs

Dimensions in mm :



Ht	A	B	C	D
50	20	8.3	118	5
75	40	8.3	118	5

Hinged couplers :

	References	To use for
H 50	6377 93	Width 75/100/150
H 50	6379 93	Width 200/300/400
H 75	6379 93	All widths
H 100	6379 93	All widths



## 3. COUPLERS (continued)

3.2 Couplers ref 6377 90/91, 6378 90/91 & 6379 90

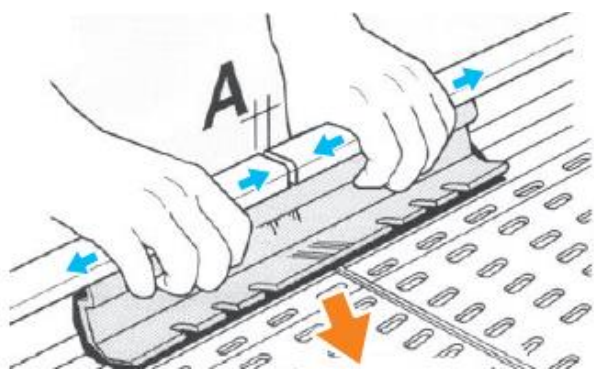
Standard coupler up to 150mm width



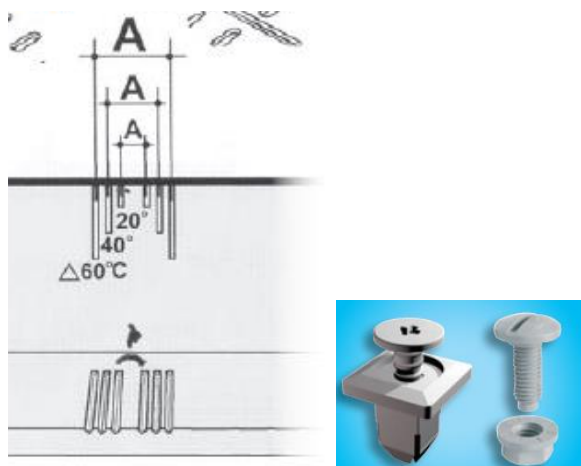
Reinforced coupler from 200mm width



Marking system for installing couplers according to temperature conditions (20, 40 or 60°C) to enable the PVC to expand.



Keep a gap "A" between two tray lengths as indicated on coupler



To lock with rapid fix rivet or bolt and nuts

## 3. COUPLERS (continued)

3.2 Couplers ref 6377 90/91, 6378 90/91 & 6379 90 (continued)

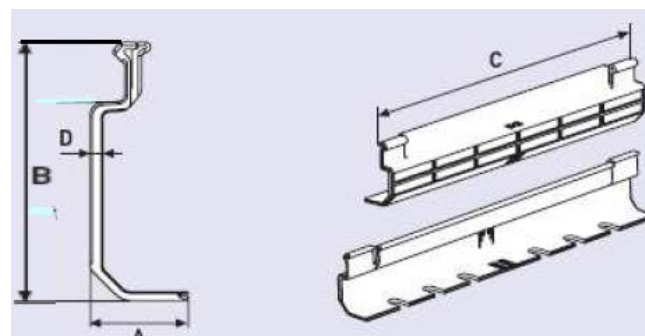
Standard coupler (for width up to 150mm):

ref 6377 90 (h 50mm)  
ref 6378 90 (h 75mm)



Clip together assembly, screwless

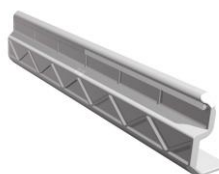
Dimensions in mm:



Ht	A	B	C	D
50	27	45.9	275	3.6
75	27	70.9	275	3.6

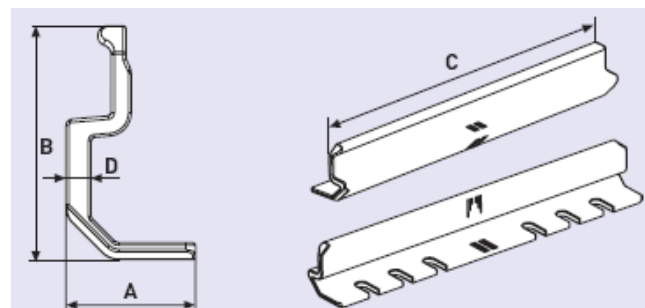
Reinforced coupler (for tray width from 200mm) :

ref 6377 91 (h 50mm)  
ref 6378 91 (h 75mm)  
ref 6379 90 (h 100mm)



Coupler adapts to each profile and simply clips in.

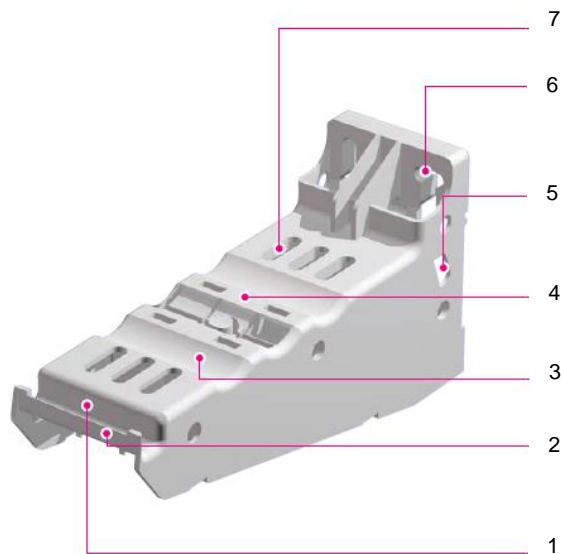
Dimensions in mm:



Ht	a	b	c	d
50	38.3	45.4	300	5.5
75	38.8	69.8	350	7.5
100	38.8	92.8	450	7.5

## 4. SUPPORTS

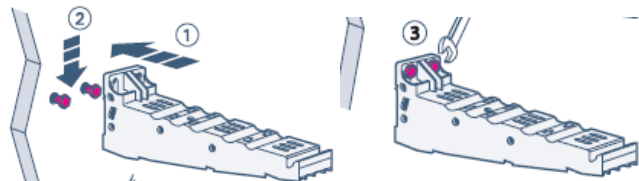
### 4.1 Cantilever arms ref 6377 66/67/68/69 & 6379 78/79/80/81



- 1- Hook for attaching cover during maintenance
- 2- Identification of circuits: a label strip can be clipped on
- 3- Guide for rigid conduit up to 40° diameter
- 4- Area for fitting clamps (to fix profiles, pipes, etc...)
- 5- Holes on the side for fixing U profile on bracket when used for hanging fitting
- 6- Wall fixing or ceiling fixing when used for hanging fitting = oblong hole (hole at top)
- 7- 9x25mm perforation for fixing profile

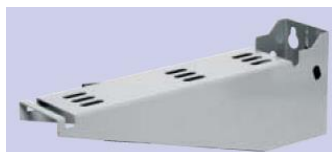
Multifunction bracket :

Wall fixing :



Code	Material
6377 66	PVC
6377 67	PVC
6377 68	PVC
6377 69	PVC
6379 78	Steel
6379 79	Steel
6379 80	Steel
6379 81	Steel

Cantilever arms steel



Cantilever arms PVC



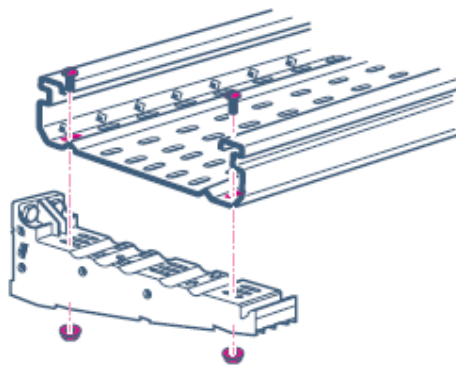
## 4. SUPPORTS (continued)

### 4.1 Cantilever arms ref 6377 66/67/68/69 & 6379 78/79/80/81 (continued)

Two types of installation:

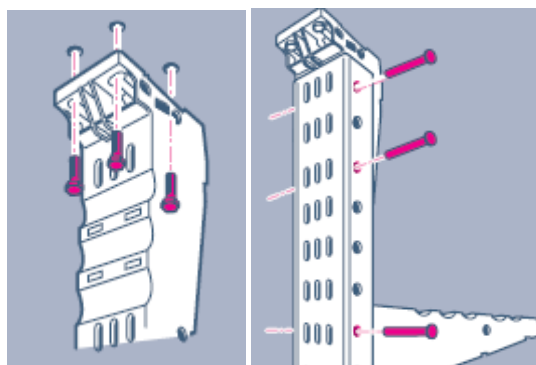
Wall fixing or ceiling fixing when used as pendant = oblong hole (hole at top)

Fixing profile to wall :

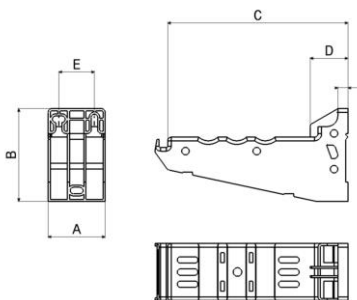


Fixing to the ceiling

System with ceiling pendant support



Dimensions in mm:



Cantilever arms PVC:

Code	A	B	C	D	E	F
6377 66	80	100	153	53	50	8
6377 67	80	100	203	53	50	8
6377 68	80	130	253	53	50	14
6377 69	80	130	353	53	50	14

Cantilever arms steel (Epoxy coated):

Code	A	B	C	D	E
6379 78	80	130	350	50	50
6379 79	80	130	450	50	50
6379 80	80	130	550	50	50
6379 81	80	130	650	50	50

## 4. SUPPORTS (continued)

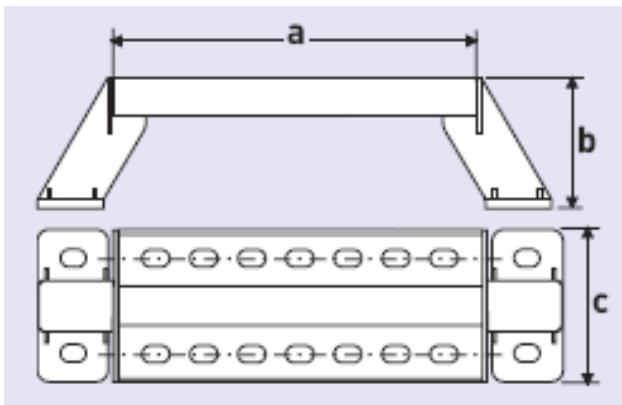
### 4.2 Stand-off brackets PVC ref 6377 81/82/83/84/85 & 6379 83/84



To stand-off the cable tray on horizontal or vertical position  
Note: supports 300 to 600mm have a steel reinforced bar

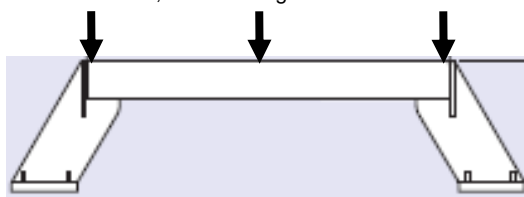
Code	Pack
6377 81	8 pcs
6377 82	6 pcs
6377 83	4 pcs
6377 84	4 pcs
6377 85	4 pcs
6379 83	4 pcs
6379 84	4 pcs

Dimensions in mm :

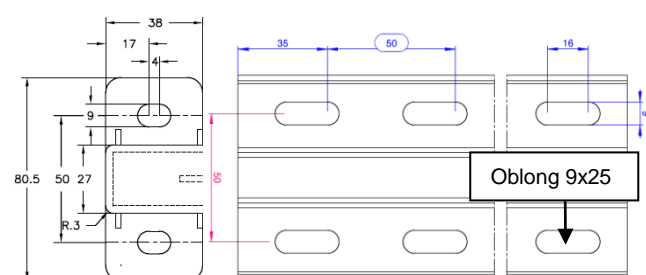


Code	a	b	c	SWL daN*
6377 81	100	75	80	215
6377 82	150	75	80	200
6377 83	200	75	80	195
6377 84	300	75	80	185
6377 85	400	75	80	150
6379 83	500	75	80	135
6379 84	600	75	80	128

\* SWL, safe working loads in daN



Perforation details :



## 4. SUPPORTS (continued)

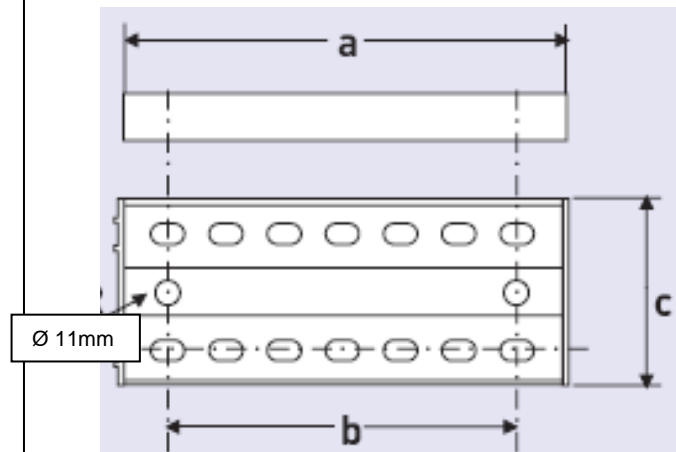
### 4.3 Trapeze hangers PVC ref 6377 71/72/73/74/75 & 6379 76/77



For suspension of tray on threaded rod, M10  
Note: supports 300 to 600mm have a steel reinforced bar

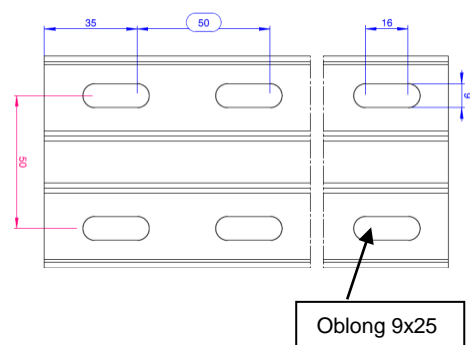
Code	Pack
6377 71	8 pcs
6377 72	6 pcs
6377 73	4 pcs
6377 74	4 pcs
6377 75	4 pcs
6379 76	4 pcs
6379 77	4 pcs

Dimensions in mm :



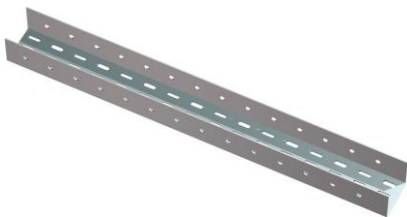
Code	a	b	c	SWL DaN
6377 71	147	115	80	25
6377 72	197	165	80	40
6377 73	247	215	80	65
6377 74	347	315	80	100
6377 75	447	415	80	135
6379 76	547	515	80	170
6379 77	647	615	80	205

Perforation details :



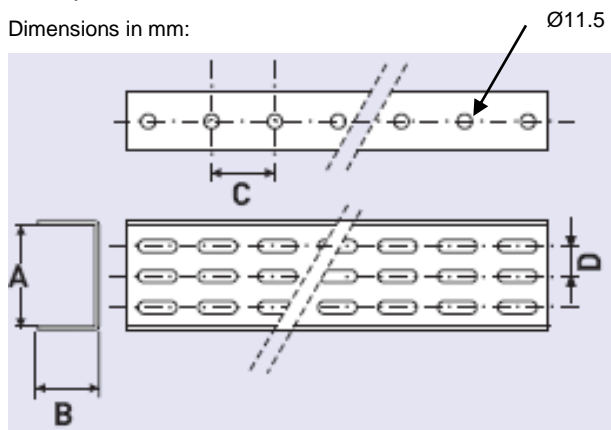
## 4. SUPPORTS (continued)

### 4.4 Pendant channels PVC 2m ref 6379 50



Delivered in lengths of 2m  
Pack by 8m

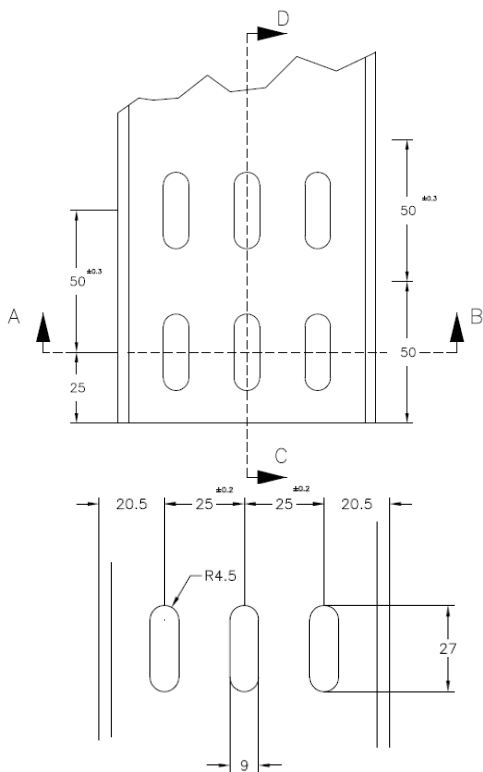
Dimensions in mm:



Note, bending moment: 7 daNm profile only.

A	B	C	D
83.5	50	50	25

Perforation details :



To fix pendant channels with ceiling brackets, use the nut and bolts M8x20

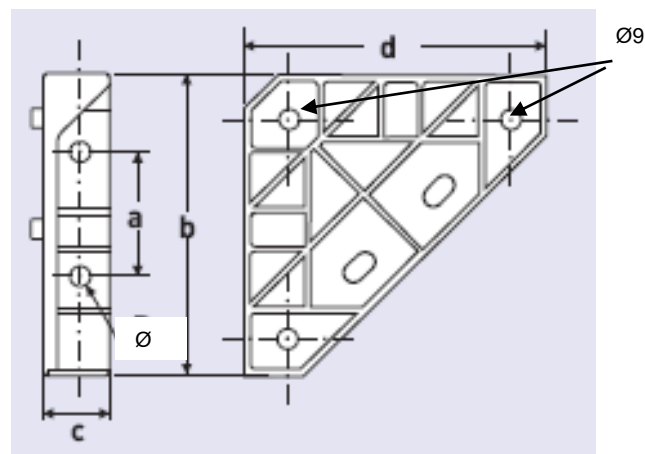
## 4. SUPPORTS (continued)

### 4.5 Ceiling brackets PVC ref 6379 55



To use with pendant channel PVC ref 6379 50  
Pack by par 8

Dimensions in mm:



a	b	c	d	Ø
56	136	30	136	10

To fix pendant channels with ceiling brackets, use the nut and bolts M8x20

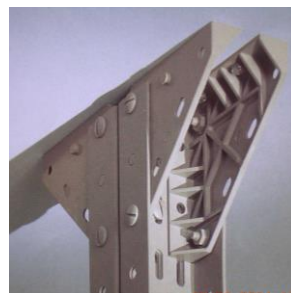
Ceiling brackets allows to have ceiling pendant single (use 2 ceiling brackets + 1 pendant channel)



SWL, safe working loads on vertical

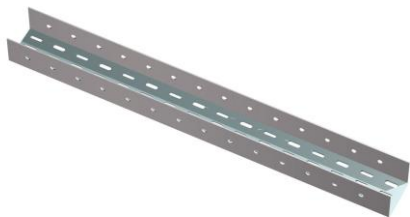
SWL, safe working loads in daN on vertical = 310 daN maxi

Ceiling brackets allows to have ceiling pendant double (use 4 ceiling brackets + 2 pendant channels)



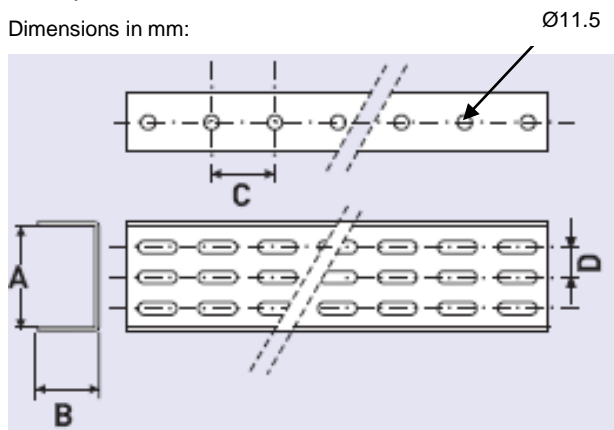
## 4. SUPPORTS (continued)

### 4.6 Pendant channels Steel (epoxy coated) 2m ref 6379 86



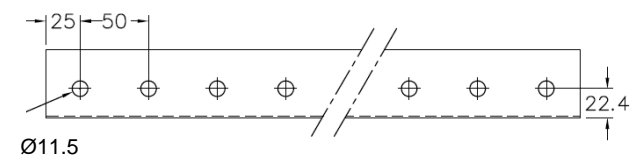
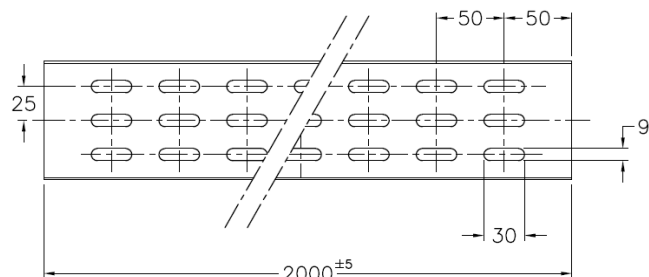
Delivered in length of 2m  
Pack by 8

Dimensions in mm:



A	B	C	D
83.5	50	50	25

Perforation details :



To fix pendant channels with ceiling brackets, use the nut and bolts M8x20  
Pendant channels reinforced (steel material) = more resistance

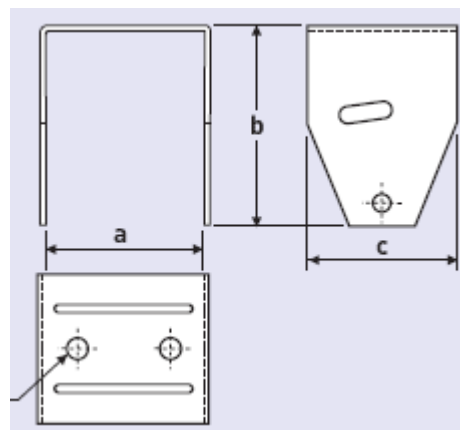
## 4. SUPPORTS (continued)

### 4.7 Ceiling brackets steel – epoxy coated ref 6379 85



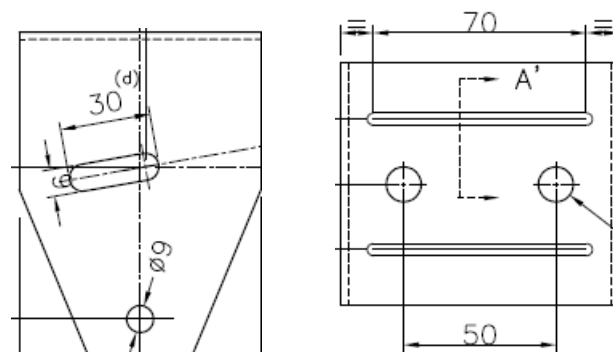
To use with pendant channel Steel ref 6379 86  
Pack by 6

Dimensions in mm :

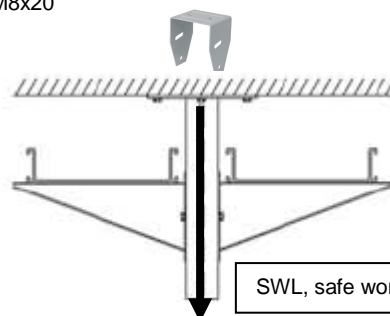


a	b	c	d
86.5	108	80	6.75

Perforation details :



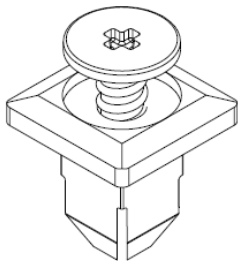
To fix pendant channels with ceiling brackets, use the nut and bolts M8x20



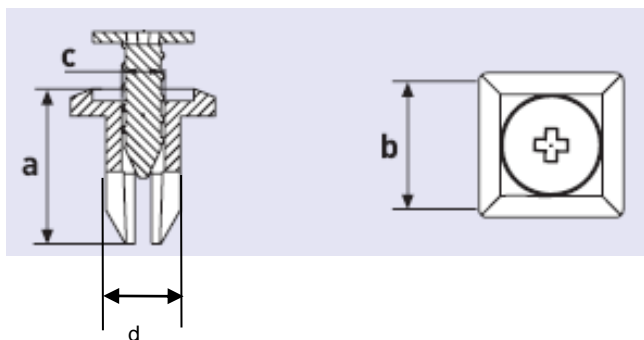
SWL, safe working loads in daN on vertical = 580 daN maxi

## 4. SUPPORTS (continued)

### 4.8 Rapid fix rivet PVC ref 6379 54



Dimensions in mm:



a	b	c	d
18.2	15	5	9

To use for horizontal fixing only

Pack by 100

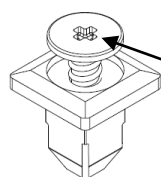
Weight : 2.1g

Quick fixing rivets :

Push in the rivet



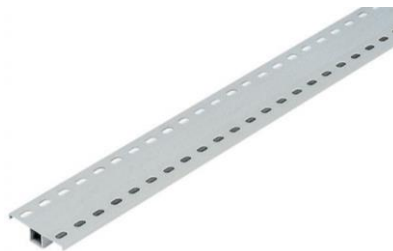
Just press and it's fixed



To unscrew, use a tool

## 4. SUPPORTS (continued)

### 4.9 Tele rail 80x19.6 ref 6379 56

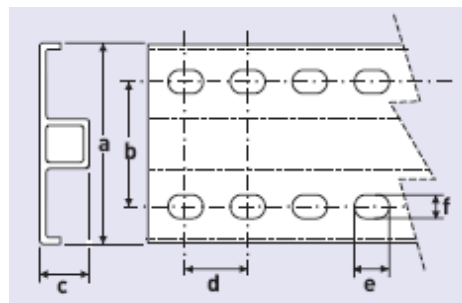


- to fix on floor or on wall  
- also used as bottom stiffener to join cable tray of width 400-600mm

Delivered in lengths of 2m

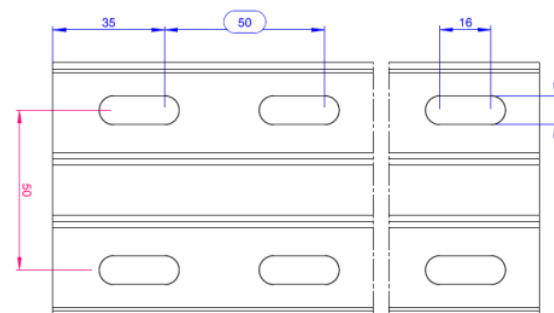
Pack by 42m

Dimensions in mm :



a	b	c	d	e	f
80	50	19.6	50	25	9

Perforation details :

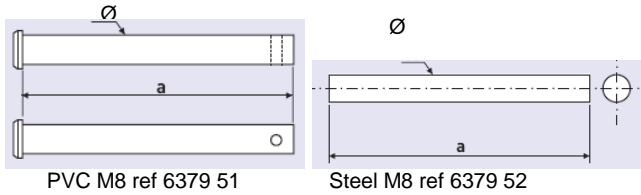


Note: Not to be used as support rail trapeze suspension

## 4. SUPPORTS (continued)

### 4.11 Fixing pins réf 6379 51/52

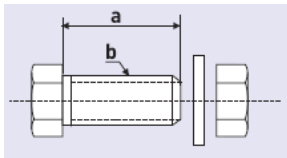
Dimensions in mm :



Code	a	Ø	Pack
6379 51	107	10	100pc
6379 52	100	10	50pc

### 4.12 Nut and bolts Stainless steel re 6379 87

Dimensions in mm :

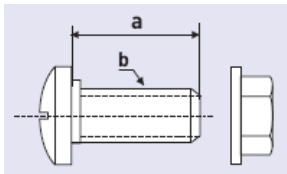


Code	a	b	Pack
6379 87	20	M-8	100pc

For fixation of profiles in load bearing applications.

### 4.13 Nut and bolts PVC ref 6379 53

Dimensions in mm :

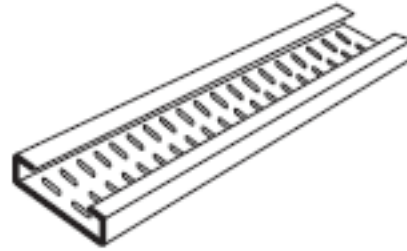


Code	a	b	Pack
6379 53	20	M-8	100pc

For fixation of profiles without load bearing applications.

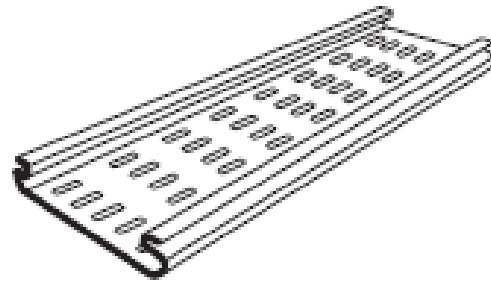
## 4. SUPPORTS (continued)

### 4.14 Telex rail PVC ref 6379 94



Delivered in lengths of 2m  
Width x depth (mm) = 50x17  
Pack by 20m

### 4.15 Data tray ref 6379 95/96/97/98



Delivered in lengths of 3m  
17mm depth

Width x depth	References	Pack by
75x17	6379 95	24m
100x17	6379 96	24m
150x17	6379 97	18m
200x17	6379 98	12m

### 4.16 Accessory :

Reference	Designation	Pack by
19159	Bottom coupler Length 2m Width 108mm Depth 4.5mm	10m



To strengthen the coupling with a bottom accessory

## 4. SUPPORTS (continued)

The PVC trays can also be supported by the metal Cablofil support range :

Cable tray			Brackets		
WIDTH Cable tray	DESIGNATION	Code	WIDTH Brackets	DESIGNATION	Code
<b>75X50</b>	PERFORATED	637701	100	CB HDG	350813
	UNPERFORATED	637700	100	<b>CB SS</b>	350814
<b>75X75</b>	PERFORATED	637800	100	CSCC HDG	CMo12763
	UNPERFORATED	637801	100	<b>CSCC SS</b>	CMo12764
<b>100X50</b>	PERFORATED	637711			
	UNPERFORATED	637710			
<b>100X75</b>	PERFORATED	637811			
	UNPERFORATED	637810			
<b>150X50</b>	PERFORATED	637721	150	CB HDG	350823
	UNPERFORATED	637720	150	<b>CB SS</b>	350824
<b>150X75</b>	PERFORATED	637821	150	CCP21S HDG	CM597703
	UNPERFORATED	637820	150	<b>CCP21S SS</b>	CM597704
			150	C41 HDG	CM595013
			150	<b>C41 SS</b>	CM595014
<b>200X50</b>	PERFORATED	637731	200	CB HDG	350833
	UNPERFORATED	637730	200	<b>CB SS</b>	350834
<b>200X75</b>	PERFORATED	637831	200	CSCC HDG	CMo12773
			200	CSCC HDG	CMo12774
			200	CCP21S	CM597713
	UNPERFORATED	637830	200	<b>CCP21S SS</b>	CM597714
<b>200X100</b>	PERFORATED	637901	200	C41 HDG	CM595023
	UNPERFORATED	637900	200	<b>C41 SS</b>	CM595024
<b>300X50</b>	PERFORATED	637741	300	CB HDG	350843
	UNPERFORATED	637740	300	<b>CB SS</b>	350844
<b>300X75</b>	PERFORATED	637841	300	CSCC HDG	CMo12783
	UNPERFORATED	637840	300	<b>CSCC SS</b>	CMo12784
<b>300X100</b>	PERFORATED	637911	300	CCP21S	CM597723
	UNPERFORATED	637910	300	<b>CCP21S SS</b>	CM597724
			300	C41 HDG	CM595033
			300	<b>C41 SS</b>	CM595034
<b>400X50</b>	PERFORATED	637751	400	CB HDG	350853
	UNPERFORATED	637750	400	<b>CB SS</b>	350854
<b>400X75</b>	PERFORATED	637851	400	CCP21S	CM597733
	UNPERFORATED	637850	400	<b>CCP21S SS</b>	CM597734
<b>400X100</b>	PERFORATED	637921	400	C41 HDG	CM595043
	UNPERFORATED	637920	400	<b>CCP21S SS</b>	CM597734
<b>500X50</b>	PERFORATED		500	CB HDG	350863
	UNPERFORATED		500	<b>CB SS</b>	350864
<b>500X75</b>	PERFORATED		500	C41 HDG	CM595053
	UNPERFORATED		500	<b>C41 SS</b>	CM595054
<b>500X100</b>	PERFORATED	637931			
	UNPERFORATED	637930			
<b>600X100</b>	PERFORATED	637941	600	CB HDG	350873
	UNPERFORATED	637940	600	<b>CB SS</b>	350874

Metal Support Brackets

CB 100 à 400



CB 500 à 600



CSCC-CSC

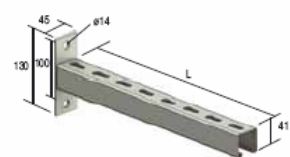


ECLI

CCP21S



C41S





## 5. TECHNICAL CHARACTERISTICS

### Cable loading information

The table below gives safe working loads (SWL) in daN/m.

SWL are acceptable up to 40°C for span of 1.5m and 60°C for span of 1m, on the European test standard IEC 61537

Profile widths (mm)	Profile depths (mm)		
	Depth 50	Depth 75	Depth 100
75	7	12	-
100	10	16	-
150	15.5	25	-
200	19.5	35	42
300	27	48	66
400 <sup>(1)</sup>	41	70	90
500 <sup>(1)</sup>	-	-	113
600 <sup>(1)</sup>	-	-	135.5

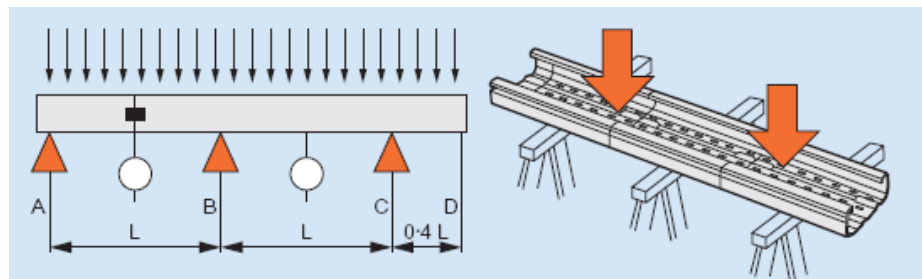
(1) Reinforcement across the joint using a tele rail marked during tests

Safe working load test :

The test for cable loading conforms to EN 61537 test type 1

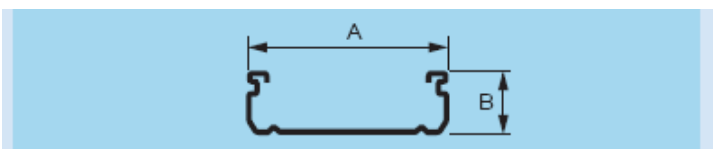
The following conditions apply to the test as shown in diagram below

- 1- the cable tray is supported at 1.5m spans and not fixed to supports during tests
- 2- the coupler joint is at the centre of support A – B
- 3- the fixing torque for coupler bolts is 2.5 Nm
- 4- the test load is a uniformly distributed load (UDL) over the test area of 2 spans and cantilever
- 5- the longitudinal deflection on a span is limited to span length divided by 100
- 6- the transversal deflection reached in the centre of the cable tray base is limited to tray width divided by 20





## 5. TECHNICAL CHARACTERISTICS (continued)

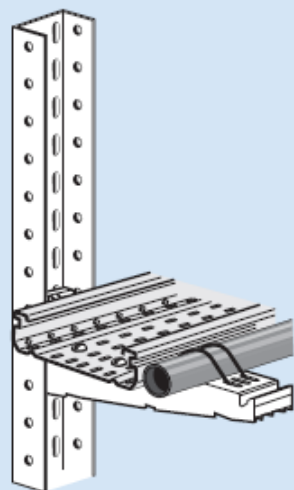
Cantilever arms :



PVC

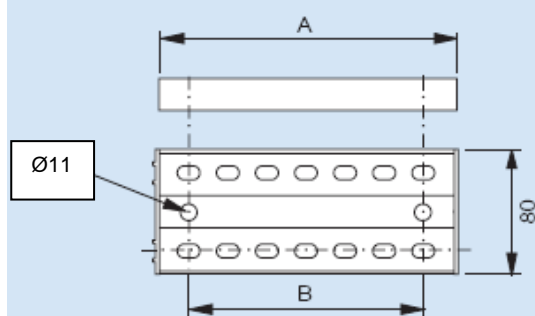
Steel Epoxy coated

A x B (mm)		A x B (mm)	
75 x 50 75 x 75 100 x 50 100 x 75	6377 66	300 x 50 300 x 75 300 x 100	6379 78
150 x 50 150 x 75		400 x 50 400 x 75 400 x 100	
200 x 50 200 x 75 200 x 100	6377 67	500 x 100	6379 80
300 x 50 300 x 75 300 x 100	6377 68	600 x 100	6379 81



Cat.Nos	Load (daN)
6377 66	25
6377 67	40
6377 68	65
6377 69	75
6379 78	100
6379 79	135
6379 80	170
6379 81	205

## ■ Trapeze hangers



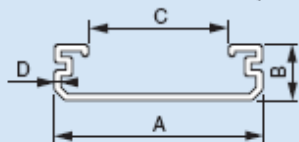
Cat.Nos	A (mm)	B (mm)	Load (daN)
6377 71	147	115	25
6377 72	197	165	40
6377 73	247	215	65
6377 74	347	315	100
6377 75	447	415	135
6379 76	547	515	170
6379 77	647	615	205

5. TECHNICAL CHARACTERISTICS (continued)

■ Dimensions for 50, 75 and 100 mm depth trays

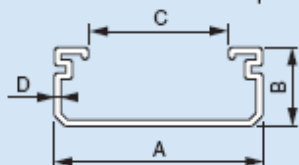
Perforation slot size 9 x 25 and 7 x 25 mm

Width 75 to 150 x Depth 50 mm



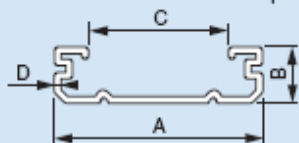
Cat. Nos.		A (mm)	B (mm)	C (mm)	D (mm)	Cable Capacity (mm²)
Non perforated	Perforated					
6377 00	6377 01	75	50	32.4	2.1	2 862
6377 10	6377 11	100	50	57	2.3	4 055
6377 20	6377 21	150	50.2	106.6	2.6	6 366

Width 75 to 150 x Depth 75 mm



Cat.Nos. A		A (mm)	B (mm)	C (mm)	D (mm)	Cable Capacity (mm²)
Non perforated	Perforated					
6378 00	6378 01	75	75	32	2.3	4 622
6378 10	6378 11	100	75	57	2.3	6 440
6378 20	6378 21	150	75.3	106.2	2.7	9 961

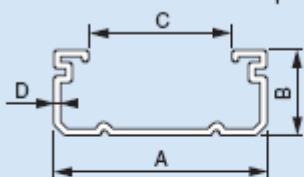
Width 200 to 400 x Depth 50 mm



Cat.Nos.		A (mm)	B (mm)	C (mm)	D (mm)	Cable Capacity (mm²)
Non perforated	Perforated					
6377 30	6377 31	200	50	136.6	2.5	7 934
6377 40	6377 41	300	52	232.6	3.5	12 825
6377 50	6377 51	400	53	330.6	4	17 821

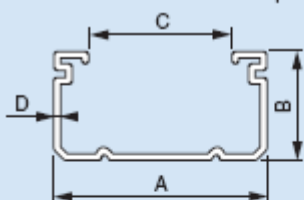
## 5. TECHNICAL CHARACTERISTICS (continued)

Width 200 to 400 x Depth 75 mm



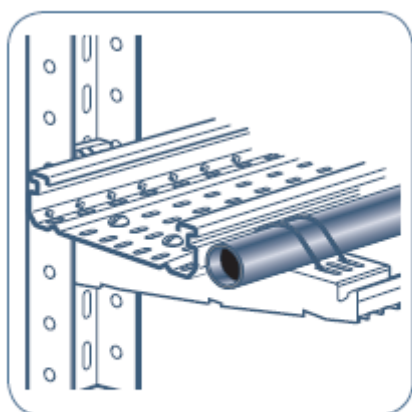
Cat.Nos.		A (mm)	B (mm)	C (mm)	D (mm)	Cable Capacity (mm <sup>2</sup> )
Non perforated	Perforated					
6378 30	6378 31	200	75	138.8	2.8	12 690
6378 40	6378 41	300	77	234.4	3.8	19 601
6378 50	6378 51	400	77.8	332.8	4.2	26 879

Width 200 to 600 x Depth 100 mm



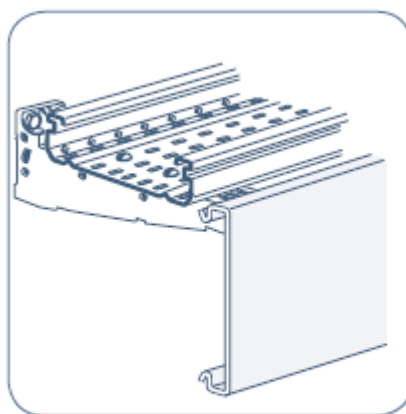
Cat.Nos.		A (mm)	B (mm)	C (mm)	D (mm)	Cable Capacity (mm <sup>2</sup> )
Non perforated	Perforated					
6379 00	6379 01	200	100	130	3.8	16 979
6379 10	6379 11	300	100.4	210	4	26 728
6379 20	6379 21	400	101.4	300	4.5	36 468
6379 30	6379 31	500	101.4	370	4.5	45 893
6379 40	6379 41	600	102	470	4.8	55 206

### ■ Fixing pipes



Special holes have been designed for fitting clamps so that pipes can be fixed on the bracket

### ■ Attaching the covers

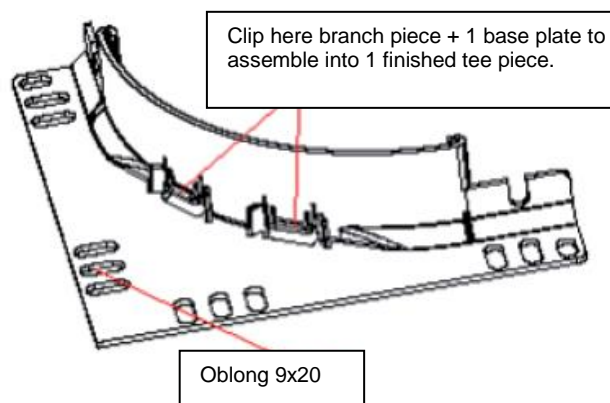
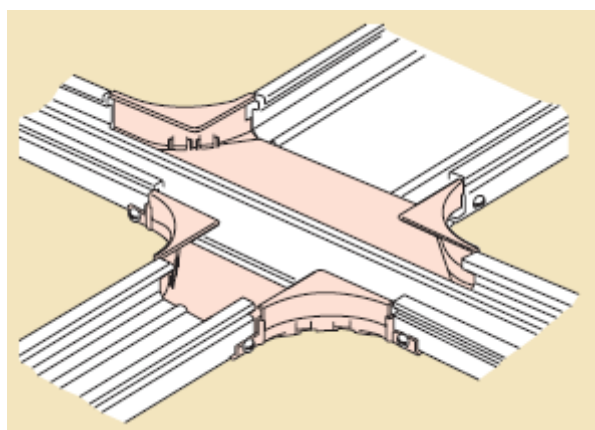
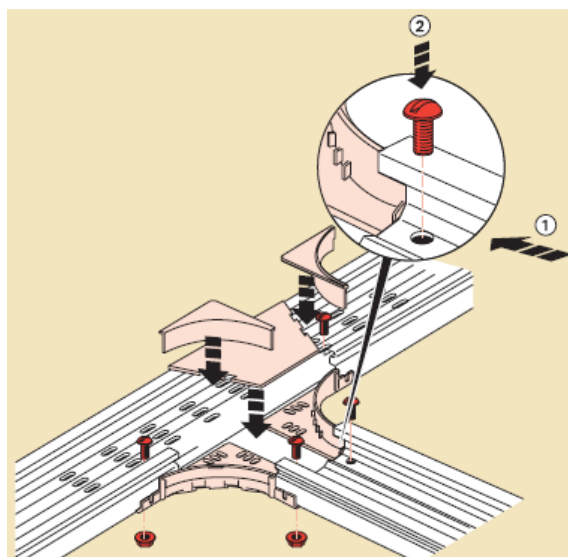
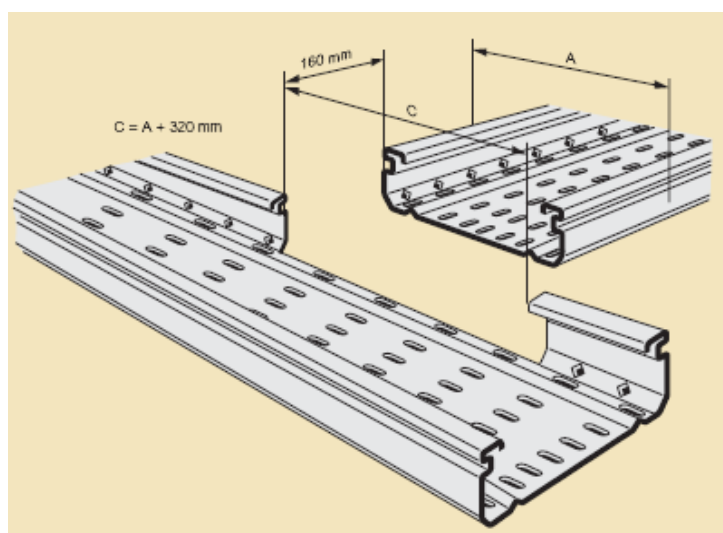
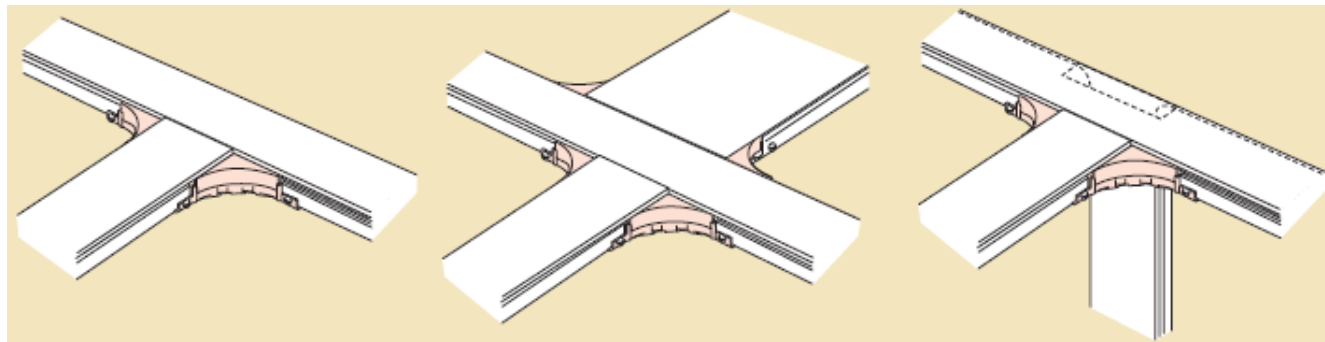


For easier installation, the cover can be simply hooked on the bracket during maintenance operations

## 5. TECHNICAL CHARACTERISTICS (continued)

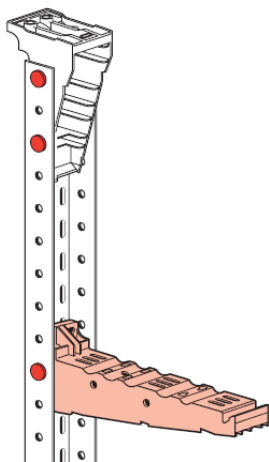
Installation of T kits ref 6378 60/70/71/72/73/74/75, 6379 60/70/71/72/73/74

kit contains 2 branch pieces + 1 base plate to assemble into 1 finished tee piece.  
Use 1 kit for a tee or 2 kits for a cross piece, all width are possible.

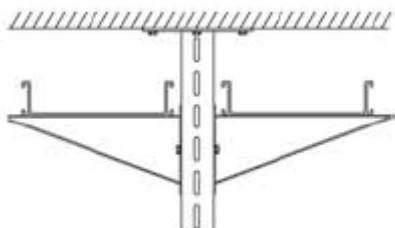


5. TECHNICAL CHARACTERISTICS (continued)

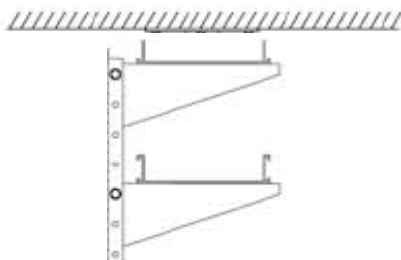
Repartition of safe working loads in single pendant with ceiling brackets + 1 pendant channel PVC.



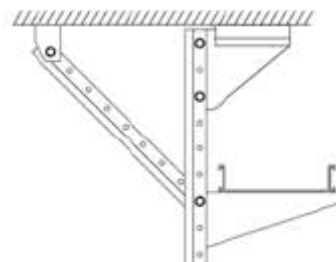
Safe working load max with 1 cantilever arm = 67 daN



If more than 67 daN must be supported, the load must be evenly distributed to both sides of the pendant.  
Total load (310 daN max)



67 daN max on the same side of pendant



Reinforced installation (ceiling brackets + 1 pendant channel PVC), safe working loads max 310 daN

## 5. TECHNICAL CHARACTERISTICS (continued)

Classification of PVC cable tray according to EN 61537 standard:

Corrosion	No corrosion
To earth the system	Not applicable
Resistance to chemical agents	Excellent resistance
Resistance to flame propagation	Non-flame propagating
Electrical continuity characteristic	Without electrical continuity characteristics (PVC)
Electrical conductivity	Electrically non conductive (PVC)
Coating	No coating
Storage, transport, installation and application temperature	- 5°C to + 60°C
Perforation of cable tray base : A : unperforated profiles B : perforated profiles	A : up to 2% B : between 2% and 15%
Resistance to impact	Max. 20J (see table below)

Resistance to impacts :

The products are tested at - 5°C temperature according to EN 61537 standard.

		Width (mm)							
		75	100	150	200	300	400	500	600
Height(mm)	50	5 J	5 J	10 J 20 J <sup>(1)</sup>	10 J	10 J	10 J		
	75	5 J	10 J	10 J 20 J <sup>(1)</sup>	20 J	20 J	20 J		
	100				20 J	20 J	20 J	20 J	20 J

(1) Unperforated

PVC Cable trays color grey RAL 7030. Possibility of storage : - 20°C.

Warning !! : do not stock products under direct sunlight