



<b>CONTENTS</b>	Page
1. General characteristics .....	1
2. Use .....	1
3. Range/Equivalence table .....	2
4. Dimensions .....	3
5. Technical characteristics .....	5
6. Installation .....	6
7. Connection .....	7
8. Wiring diagram .....	8
9. Standards - Regulations .....	8

## 1. GENERAL CHARACTERISTICS

- IP 66/67, 69 (mobile plug and socket)
- Material: PA6 RAL 7042
- IK 09

The surface mounting and mobile sockets are designed to deliver power where it is needed.

The plugs are designed to equip portable or mobile electrical equipment (e.g. inspection lamps, compressors, welding equipment, etc.). When connected to a mobile socket, they combine to create an extension.

## 2. USE

### A. Fixed sockets, surface mounting sockets and appliance inlets

- Screw connection
- 5.5 screw with mixed PH2 (63 A) and PH3 (125 A) head (for 5.5 flat-blade or cross-head screwdriver)
- Angle:
  - 20° for fixed sockets
  - 15° (63 A) or 25° (125 A) for surface mounting sockets
  - 35° (63 A) and 45° (125 A) for appliance inlets

### B. Mobile plugs and sockets

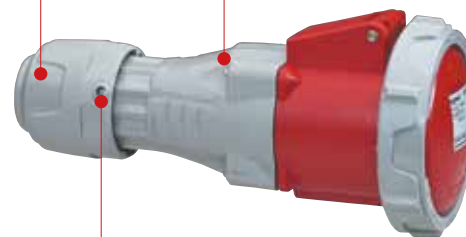
- Screw connection
- 5.5 screw with mixed PH2 (63 A) and PH3 (125 A) head (for 5.5 flat-blade or cross-head screwdriver)
- Integrated cable gland with clamp claws
- Automatic sealing when the cable is inserted
- Cable clamping achieved by simply tightening the cable gland
- Captive cable gland
- Screw-lock cable gland (PH1)

## 2. USE (CONTINUED)

### Quick and easy wiring

Automatic sealing when the cable is inserted

External thread forming screws

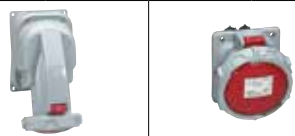






Locking screw in locked position (PH1)

**P17 Tempra Pro plugs, mobile sockets, fixed sockets, surface mounting sockets and appliance inlets - IP 66/67 - 63 A - 125 A**

**Cat. Nos: 5 555 04/05/06/08/09/12/14/18/19/24/25/26/28/29/32/54/55/56/58/59/84/85/86/88/89/92 - 5 556 08/09/18/19/28/29/58/59/88/89**

**3. RANGE/EQUIVALENCE TABLE**

P17 Tempra	P17 Tempra Pro	Description										
			Fixed surface mounting sockets	Fixed surface mounting sockets	Fixed sockets	Fixed sockets	Mobile sockets	Mobile sockets	Straight mobile plugs	Straight mobile plugs	Appliance inlets	Appliance inlets
200 to 250 V	63 A	2P+E	58740	5 555 54	58720	5 555 84	58710	5 555 04	58700	5 555 24	58730	5 555 14
		3P+E	58741	5 555 55	58721	5 555 85	58711	5 555 05	58701	5 555 25		
		3P+N+E	58742	5 555 56	58722	5 555 86	58712	5 555 06	58702	5 555 26		
380 to 415 V	63 A	3P+E	58744	5 555 58	58724	5 555 88	58714	5 555 08	58704	5 555 28	58734	5 555 18
		3P+N+E	58745	5 555 59	58725	5 555 89	58715	5 555 09	58705	5 555 29	58735	5 555 19
	125 A	3P+E	59106	5 556 58	59116	5 556 88	59136	5 556 08	59126	5 556 28	59146	5 556 18
		3P+N+E	59107	5 556 59	59117	5 556 89	59137	5 556 09	59127	5 556 29	59147	5 556 19
480 to 500 V	63 A	3P+E	55348	5 555 62	58727	5 555 92	58717	5 555 12	58707	5 555 32		

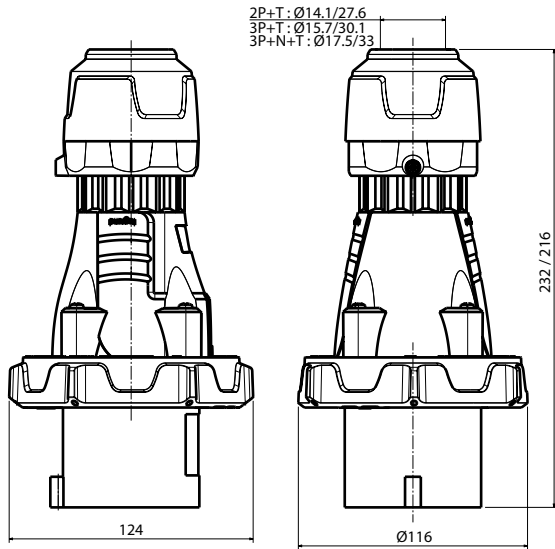
P17 Tempra	P17 Tempra Pro	Function	Rating	Polarity	Voltage range	
58710	5 555 04	Mobile socket	63 A	2P+E	200/250 V	MOBILE SKT 63 A 2P+E 230 V IP 67
58711	5 555 05	Mobile socket	63 A	3P+E	200/250 V	MOBILE SKT 63 A 3P+E 230 V IP 67
58712	5 555 06	Mobile socket	63 A	4P+E	200/250 V	MOBILE SKT 63 A 4P+E 230 V IP 67
58714	5 555 08	Mobile socket	63 A	3P+E	380/415 V	MOBILE SKT 63 A 3P+E 400 V IP 67
58715	5 555 09	Mobile socket	63 A	4P+E	380/415 V	MOBILE SKT 63 A 4P+E 400 V IP 67
58717	5 555 12	Mobile socket	63 A	3P+E	480/500 V	MOBILE SKT 63 A 3P+E 500 V IP 67
58730	5 555 14	Appliance inlet	63 A	2P+E	200/250 V	CONNECT 63 A 2P+E 230 V IP 67
58734	5 555 18	Appliance inlet	63 A	3P+E	380/415 V	CONNECT 63 A 3P+E 400 V IP 67
58735	5 555 19	Appliance inlet	63 A	4P+E	380/415 V	CONNECT 63 A 4P+E 400 V IP 67
58700	5 555 24	Straight plug	63 A	2P+E	200/250 V	STRAIGHT PLUG 63 A 2P+E 230 V IP 67
58701	5 555 25	Straight plug	63 A	3P+E	200/250 V	STRAIGHT PLUG 63 A 3P+E 230 V IP 67
58702	5 555 26	Straight plug	63 A	4P+E	200/250 V	STRAIGHT PLUG 63 A 4P+E 230 V IP 67
58704	5 555 28	Straight plug	63 A	3P+E	380/415 V	STRAIGHT PLUG 63 A 3P+E 400 V IP 67
58705	5 555 29	Straight plug	63 A	4P+E	380/415 V	STRAIGHT PLUG 63 A 4P+E 400 V IP 67
58707	5 555 32	Straight plug	63 A	3P+E	480/500 V	STRAIGHT PLUG 63 A 3P+E 500 V IP 67
58740	5 555 54	Surface mounting socket	63 A	2P+E	200/250 V	SURFACE SKT 63 A 2P+E 230 V IP 67
58741	5 555 55	Surface mounting socket	63 A	3P+E	200/250 V	SURFACE SKT 63 A 3P+E 230 V IP 67
58742	5 555 56	Surface mounting socket	63 A	4P+E	200/250 V	SURFACE SKT 63 A 4P+E 230 V IP 67
58744	5 555 58	Surface mounting socket	63 A	3P+E	380/415 V	SURFACE SKT 63 A 3P+E 400 V IP 67
58745	5 555 59	Surface mounting socket	63 A	4P+E	380/415 V	SURFACE SKT 63 A 4P+E 400 V IP 67
55348	5 555 62	Surface mounting socket	63 A	3P+E	480/500 V	SURFACE SKT 500 V 3P+E 63 A IP 67
58720	5 555 84	Fixed socket	63 A	2P+E	200/250 V	FIXED SKT 63 A 2P+E 230 V IP 67
58721	5 555 85	Fixed socket	63 A	3P+E	200/250 V	FIXED SKT 63 A 3P+E 230 V IP 67
58722	5 555 86	Fixed socket	63 A	4P+E	200/250 V	FIXED SKT 63 A 4P+E 230 V IP 67
58724	5 555 88	Fixed socket	63 A	3P+E	380/415 V	FIXED SKT 63 A 3P+E 400 V IP 67
58725	5 555 89	Fixed socket	63 A	4P+E	380/415 V	FIXED SKT 63 A 4P+E 400 V IP 67
58727	5 555 92	Fixed socket	63 A	3P+E	480/500 V	FIXED SKT 63 A 3P+E 500 V IP 67
59136	5 556 08	Mobile socket	125 A	3P+E	380/415 V	MOBILE SKT 125 A 3P+E 400 V IP 67
59137	5 556 09	Mobile socket	125 A	4P+E	380/415 V	MOBILE SKT 125 A 4P+E 400 V IP 67
59146	5 556 18	Appliance inlet	125 A	3P+E	380/415 V	CONNECT 125 A 3P+E 400 V IP 67
59147	5 556 19	Appliance inlet	125 A	4P+E	380/415 V	CONNECT 125 A 4P+E 400 V IP 67
59126	5 556 28	Straight plug	125 A	3P+E	380/415 V	STRAIGHT PLUG 125 A 3P+E 400 V IP 67
59127	5 556 29	Straight plug	125 A	4P+E	380/415 V	STRAIGHT PLUG 125 A 4P+E 400 V IP 67
59106	5 556 58	Surface mounting socket	125 A	3P+E	380/415 V	SURFACE SKT 125 A 3P+E 400 V IP 67
59107	5 556 59	Surface mounting socket	125 A	4P+E	380/415 V	SURFACE SKT 125 A 4P+E 400 V IP 67
59116	5 556 88	Fixed socket	125 A	3P+E	380/415 V	FIXED SKT 125 A 3P+E 400 V IP 67
59117	5 556 89	Fixed socket	125 A	4P+E	380/415 V	FIXED SKT 125 A 4P+E 400 V IP 67

**P17 Tempra Pro plugs, mobile sockets, fixed sockets, surface mounting sockets and appliance inlets - IP 66/67 - 63 A - 125 A**

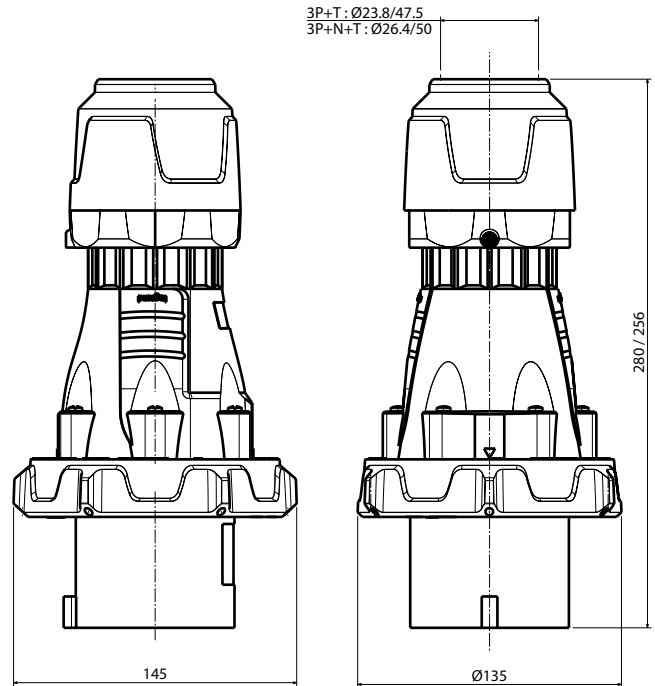
Cat. Nos: 5 555 04/05/06/08/09/12/14/18/19/24/25/26/  
28/29/32/54/55/56/58/59/84/85/86/88/89/92 -  
5 556 08/09/18/19/28/29/58/59/88/89

**4. DIMENSIONS**

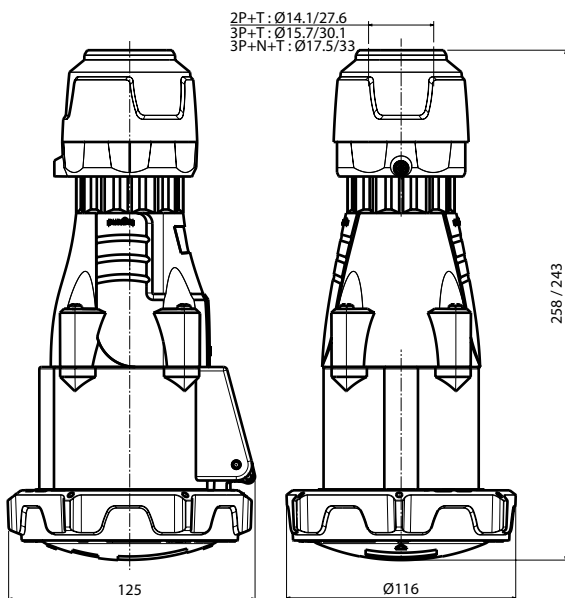
**Straight mobile plugs 63 A**



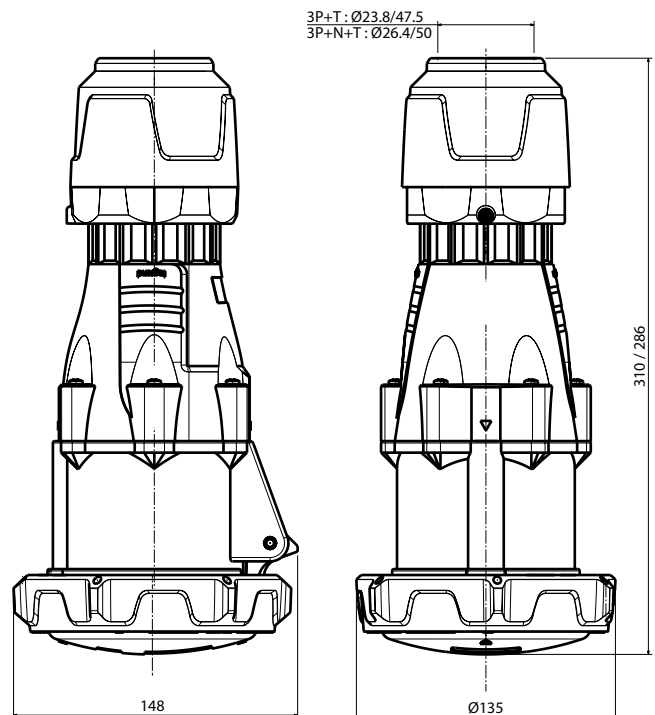
**Straight mobile plugs 125 A**



**Mobile sockets 63 A**



**Mobile sockets 125 A**

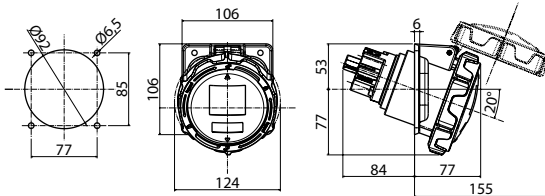


**P17 Tempra Pro plugs, mobile sockets, fixed sockets, surface mounting sockets and appliance inlets - IP 66/67 - 63 A - 125 A**

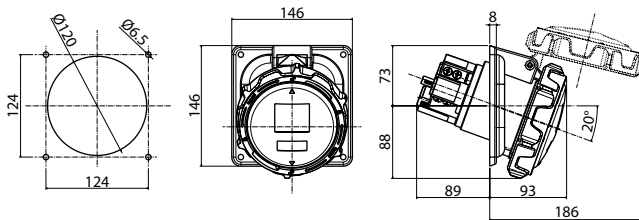
Cat. Nos: 5 555 04/05/06/08/09/12/14/18/19/24/25/26/28/29/32/54/55/56/58/59/84/85/86/88/89/92 - 5 556 08/09/18/19/28/29/58/59/88/89

**4. DIMENSIONS (CONTINUED)**

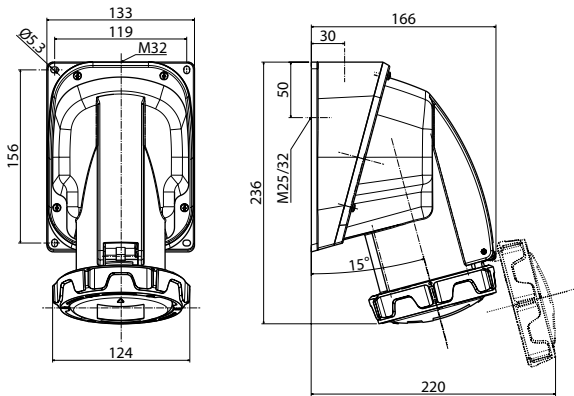
**Fixed sockets 63 A**



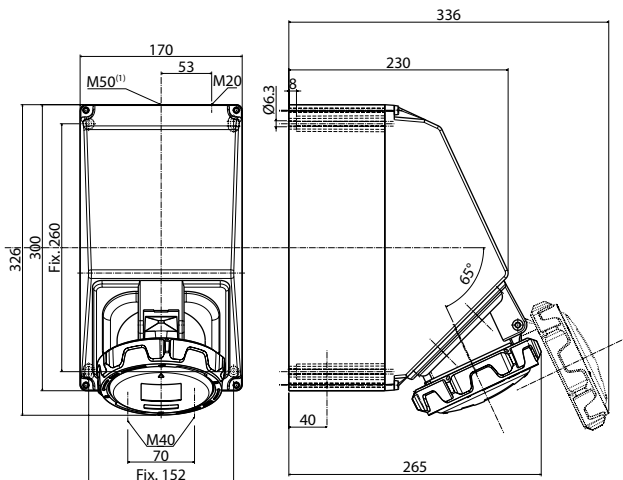
**Fixed sockets 125 A**



**Surface mounting sockets 63 A**

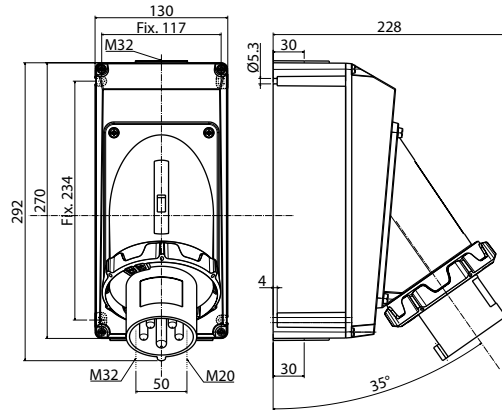


**Surface mounting sockets 125 A**

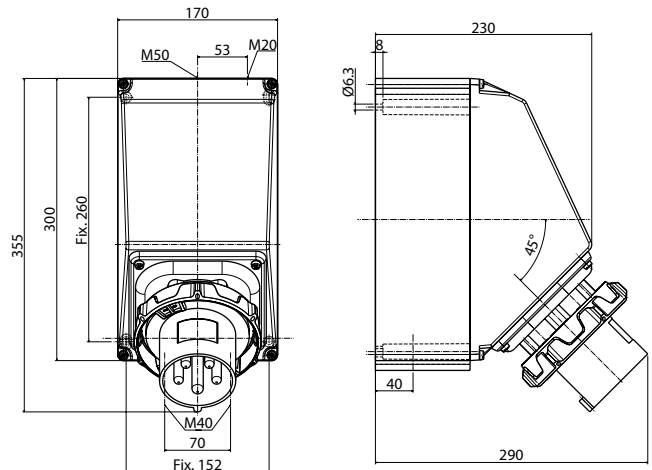


(1) An M50/M63 cable gland adaptor with seal is required for a 70 mm<sup>2</sup> connection

**Appliance inlets 63 A**



**Appliance inlets 125 A**



## 5. TECHNICAL CHARACTERISTICS

### 5.1 Glow wire test

- 850 °C for mountings for live parts
- 650 °C for all other components

### 5.2 Insulation voltage

- 750 V
- Dielectric strength
- 3000 V 50 Hz

### 5.3 Operating temperature (plugged in and unplugged)

- Min. -40 °C/Max. +55 °C

### 5.4 Installation temperature (connection and/or mounting)

- Min. -5 °C/Max. 40 °C

### 5.5 Degree of protection

- No water or dust ingress
- IP 66/67 IP 69 (mobile sockets and plugs)

### 5.6 Material characteristics

#### Chemical agents Resistance of material

##### Aqueous solutions

Cold water .....	++
Hot water .....	-
Steam .....	--
5% saline solution .....	+
Hydrogen peroxide .....	-
Water + washing powder .....	+
Water + surfactants .....	+
Formaldehyde .....	++

##### Alcohols

Ethanol .....	++
Methanol .....	-
Propanol .....	+
Butanol .....	+

##### Glycols

Ethylene glycol .....	-
Phenols .....	--
Cresols .....	-

##### Bases

Ammonia .....	+
Sodium hydroxide (soda) .....	--
Sodium hypochlorite (12° bleach) .....	-
Potassium hydroxide (potash) .....	+

##### Strong oxidizing acids

Concentrated acetic acid .....	--
Nitric acid 5% .....	-
Sulphuric acid 10% .....	-
Hydrochloric acid 30% .....	-
Perchloric acid 70% .....	-
Hydrofluoric acid 70% .....	-
Chromic acid 50% .....	--
Phosphoric acid 30% .....	-

##### Weak acids

Diluted acetic acid < 25% .....	-
Citric acid .....	+
Lactic acid .....	-
Formic acid .....	--
Uric acid .....	++

### 5.6 Material characteristics (continued)

#### Chemical agents Resistance of material

##### Animal oils and fats

Lard .....	++
Butter, cream .....	++

##### Vegetable oils and fats

Linseed oil .....	++
Groundnut/Olive oil .....	++
Castor oil .....	++
Glycerin .....	++

##### Mineral oils and fats

Paraffin (Vaseline) .....	++
Vehicle engine oil .....	+
Silicone oils .....	+
Cutting oils .....	++
Hydraulic oils .....	++

##### Hydrocarbons

Unleaded petrol .....	++
Diesel .....	++
Kerosene .....	++
White spirit .....	+

##### Chlorinated solvents

Trichloroethylene .....	-
Trichlorethane .....	--
Perchloroethylene .....	-
Methylene chloride .....	--
Carbon tetrachloride .....	-
Chloroform .....	-

##### Aromatic solvents

Benzene .....	+
Toluene .....	+
Xylene .....	+

##### Aliphatic solvents

Hexane .....	+
--------------	---

##### Fluorinated solvents

Trichlorofluoromethane .....	--
------------------------------	----

##### Ketones

Acetone .....	+
Methyl ethyl ketone .....	+
Ethyl acetate .....	+

##### Terpenes

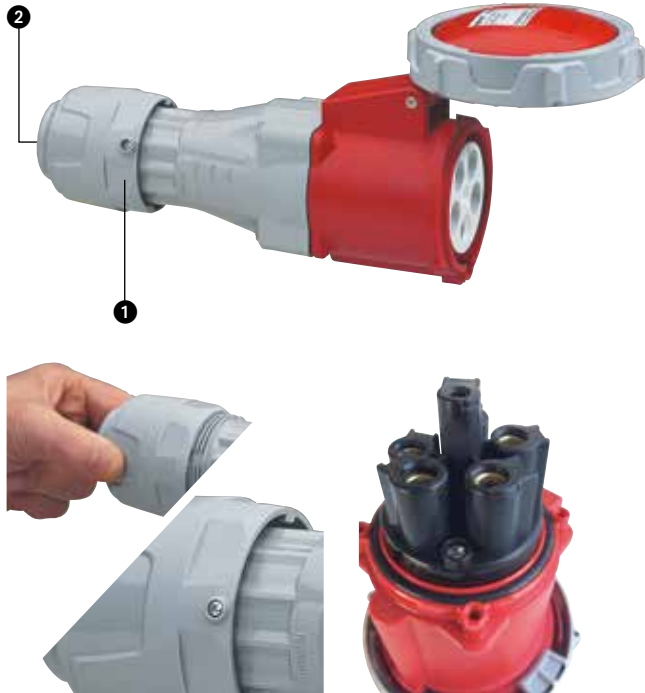
Turpentine .....	-
------------------	---

#### Resistance to the risk of exposure to spraying of chemical agents at ambient temperature

- ++ Excellent resistance (continuous exposure)
- + Satisfactory resistance (long-term exposure)
- Limited resistance (brief exposure possible)
- Poor resistance (exposure to be avoided)

## 6. INSTALLATION

### Plugs and sockets



#### 1 - CABLE GRIP

Captive cable grip with anti-vibration system holds the cable securely in place permanently. Equipped with a locking screw. Can be tightened by hand or using a 65 mm (for 63 A) or 82 mm (for 125 A) flat-blade tool with an adjustable spanner.

#### 2 - CABLE STRIPPING

Markings provide a quick guide to the user to indicate the cable stripping length. It is possible to use cables with ferrules.



#### 3 - TWO SCREWS PER TERMINAL

PH2 (63 A) and PH3 (125 A) mixed head screws for each connection terminal.



#### 4 - QUICK FIXING OF THE COVER

Stainless steel captive mixed head screws for PH2 or flat-blade screwdriver (tightening torque 1.6 Nm to 1.8 Nm) provide a strong seal and corrosion resistance.



#### 5 - EASY REMOVAL

Live parts can be removed from the surface mounting socket to facilitate wiring and to change the angle of the socket.



#### 6 - RIVETED METAL SHAFT

For 63 and 125 A models, the riveted metal shaft provides even greater durability. The notched locking ring facilitates cover opening and closing. A shutter retention system is also available on all sockets.

**P17 Tempra Pro plugs, mobile sockets, fixed sockets, surface mounting sockets and appliance inlets - IP 66/67 - 63 A - 125 A**

Cat. Nos: 5 555 04/05/06/08/09/12/14/18/19/24/25/26/28/29/32/54/55/56/58/59/84/85/86/88/89/92 - 5 556 08/09/18/19/28/29/58/59/88/89

**6. INSTALLATION (CONTINUED)**



**7 - POSITION MARKING**

The marking engraved on the ring cover provides a quick way to check whether the device is in the open or closed position. There is a space for a label on the socket cover or on the barrel of the plug for user identification purposes.



**8 - SPACE FOR MARKING OR ID LABEL**

**7. CONNECTION**

**7.1 Connection capacity**

Type	Rating	Size of conductors (mm <sup>2</sup> )	Type of conductor
Surface mounting socket and fixed socket	63 A	6 to 25	Rigid
	125 A	25 to 70 <sup>(1)</sup>	Rigid
Appliance inlet	63 A	6 to 16	Rigid
	125 A	16 to 50	Rigid
Mobile plugs and sockets	63 A	6 to 16	Flexible
	125 A	16 to 50	Flexible

(1) Requires an M50/M63 cable gland adaptor with seal

An IP XX B sleeve is included with 125 A fixed sockets to protect against direct contact.

**Cross-sectional area of pilot wire**

	63/125 A	Cable
Fixed/surface mounting sockets	2.5 to 10 mm <sup>2</sup>	Rigid
Appliance inlets	2.5 to 6 mm <sup>2</sup>	Rigid
Mobile plugs and sockets	2.5 to 6 mm <sup>2</sup>	Flexible with cable end

**7.2 Connection terminal screw tightening torques**

- 63 A LV: 2 to 2.2 Nm for phases and earth  
0.7 to 1 Nm for pilot wire
- 125 A LV: 3 to 4 Nm for phases and earth  
0.7 to 1 Nm for pilot wire

# P17 Tempra Pro plugs, mobile sockets, fixed sockets, surface mounting sockets and appliance inlets - IP 66/67 - 63 A - 125 A

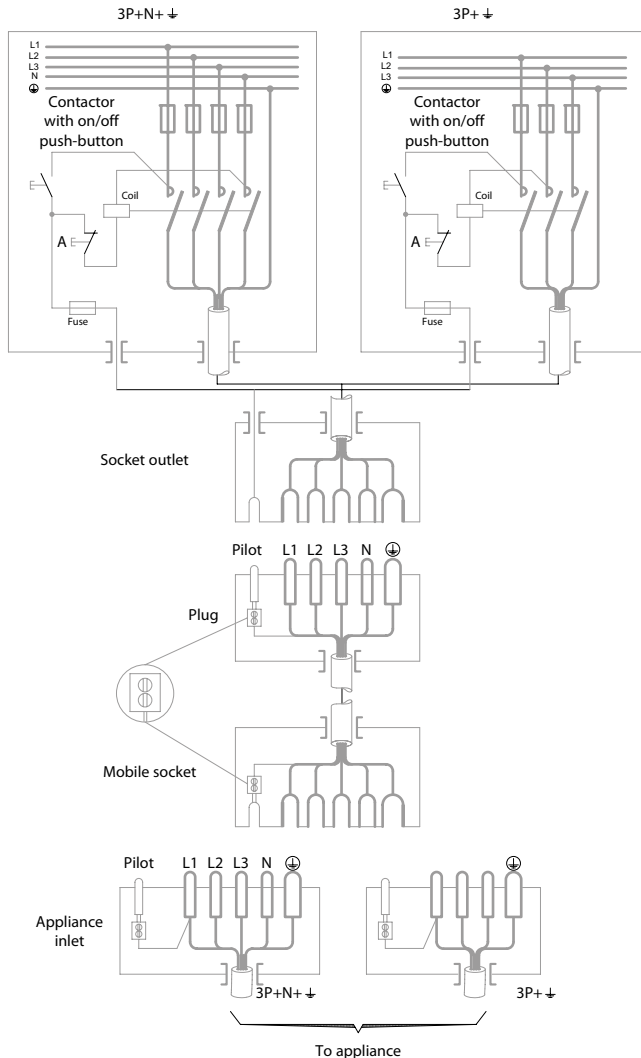
Cat. Nos: 5 555 04/05/06/08/09/12/14/18/19/24/25/26/  
28/29/32/54/55/56/58/59/84/85/86/88/89/92 -  
5 556 08/09/18/19/28/29/58/59/88/89

## 8. WIRING DIAGRAM

### Cut-out by pilot wire:

The pilot wire is a control conductor associated with the power conductor. Its interruption controls breaking of the power circuit via a contactor. This arrangement provides an electrical response to the cut-out requirement for circuits rated higher than 32 A (conforming to the French decree dated 14/11/88). An additional (shorter) pin is therefore added to the various socket models to provide this "pilot wire" function.

### Example wiring diagram:



## 9. STANDARDS - REGULATIONS

- IEC 60309-1 and EN 60309-1 (design requirements)
- IEC 60309-2 and EN 60309-2 (interchangeability requirements)
- IEC 60529 and EN 60529 (IP)
- IEC 62262 and EN 62262 (IK)
- French decree dated 14/11/88 (safety of workers)
- 2002/95/EC ROHS directive