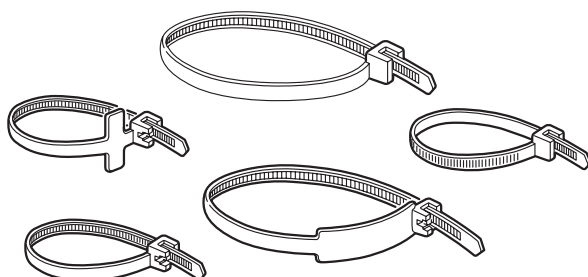


## Colring cable ties for equipment

Cat. Nos: 0 318 00 to 0 318 18 / 0 318 20 to 0 318 38 / 0 320 12 to 0 320 15 / 0 320 18 to 0 320 20 / 0 320 22 to 0 320 32 / 0 320 37 to 0 320 40 / 0 320 42 to 0 320 51



### CONTENTS

Page

|                                    |   |
|------------------------------------|---|
| 1. Definition .....                | 1 |
| 2. Range .....                     | 1 |
| 3. General characteristics .....   | 2 |
| 4. Compliance with standards ..... | 4 |
| 5. Accessories .....               | 4 |

### 1. DEFINITION

The Colring cable tie is designed for electrical and electronic cabling, for grouping and attaching low and extra low voltage cables. It is perfectly suited for applications such as automobiles, aeronautics, the pharmaceutical industry, telephony, transport, etc.

### 2. RANGE

- Cable ties with interior teeth (black and colourless)
- Identification ties and cable ties with exterior teeth (colourless)
- Plastic material without halogens, sulphur, chlorine, silicone and asbestos
- Self-locking head
- Delivered in sealed packaging
- Ties with interior teeth

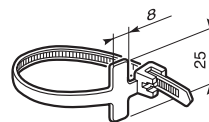
| Cat. Nos            |                     | Width (mm) | Length flat (mm) | Tightening diameter |      |
|---------------------|---------------------|------------|------------------|---------------------|------|
| Colourless          | Black               |            |                  | Min.                | Max. |
| 0 318 20 - 0 320 30 | 0 318 00 - 0 320 12 | 2.4        | 95               | 1.6                 | 18   |
| 0 318 21 - 0 320 31 | 0 318 01 - 0 320 13 | 2.4        | 140              | 1.6                 | 33   |
| 0 318 22 - 0 320 32 | 0 318 02 - 0 320 14 | 2.4        | 180              | 1.6                 | 46   |
| 0 318 23 - 0 320 37 | 0 318 03 - 0 320 15 | 3.5        | 140              | 1.6                 | 33   |
| 0 318 24 - 0 320 38 | 0 318 04 - 0 320 18 | 3.5        | 180              | 1.6                 | 46   |
| 0 318 25 - 0 320 39 | 0 318 05 - 0 320 19 | 3.5        | 280              | 1.6                 | 77   |
| 0 318 26 - 0 320 40 | 0 318 06 - 0 320 20 | 3.5        | 360              | 1.6                 | 102  |
| 0 318 27 - 0 320 42 | 0 318 07 - 0 320 22 | 4.6        | 180              | 1.6                 | 46   |
| 0 318 28 - 0 320 43 | 0 318 08 - 0 320 23 | 4.6        | 280              | 1.6                 | 77   |
| 0 318 29 - 0 320 44 | 0 318 09 - 0 320 24 | 4.6        | 360              | 1.6                 | 102  |
| 0 318 33            | 0 318 13            | 4.6        | 430              | 1.6                 | 125  |
| 0 318 30 - 0 320 47 | 0 318 10            | 7.6        | 180              | 4.8                 | 42   |
| 0 318 34            | 0 318 14            | 7.6        | 290              | 4.8                 | 78   |
| 0 318 31 - 0 320 49 | 0 318 11 - 0 320 29 | 7.6        | 360              | 4.8                 | 98   |
| 0 318 35 - 0 320 45 | 0 318 15 - 0 320 25 | 7.6        | 550              | 4.8                 | 166  |
| 0 318 32 - 0 320 50 | 0 318 12            | 7.6        | 720              | 4.8                 | 218  |
| 0 318 36 - 0 320 46 | 0 318 16 - 0 320 26 | 9          | 762              | 14                  | 218  |
| 0 318 37 - 0 320 48 | 0 318 17 - 0 320 27 | 9          | 810              | 14                  | 246  |
| 0 318 38 - 0 320 51 | 0 318 18 - 0 320 28 | 12.6       | 1030             | 20                  | 317  |

### 2. RANGE (cont.)

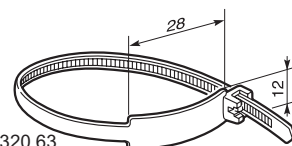
- Ties with interior teeth (Colourless)

| Cat. Nos | Width (mm) | Length flat (mm) | Tightening diameter |      |
|----------|------------|------------------|---------------------|------|
|          |            |                  | Min.                | Max. |
| 0 320 52 | 2.4        | 105              | 1.6                 | 22   |
| 0 320 54 | 3.5        | 140              | 1.6                 | 33   |
| 0 320 55 | 4.6        | 180              | 1.6                 | 46   |
| 0 320 57 | 4.6        | 360              | 1.6                 | 102  |
| 0 320 58 | 7.6        | 360              | 4.8                 | 98   |

- Identification ties (Colourless)



0 320 61

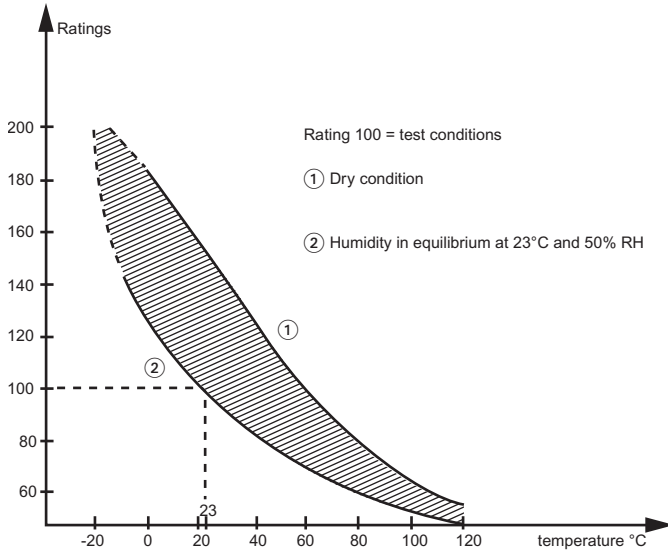


0 320 63

| Cat. Nos | Width (mm) | Length flat (mm) | Tightening diameter |      |
|----------|------------|------------------|---------------------|------|
|          |            |                  | Min.                | Max. |
| 0 320 61 | 2.4        | 95               | 4                   | 18   |
| 0 320 63 | 4.6        | 180              | 9.5                 | 46   |

## 3. GENERAL CHARACTERISTICS

### 3.1 Tear-off resistance

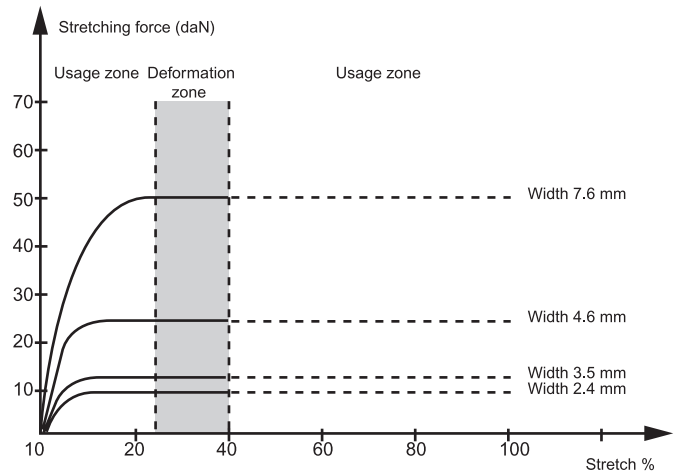


Tear-off resistance according to EN 62275

|                          | Cat. Nos            |                     | Tear-off resistance according to EN 62275 |                                  |
|--------------------------|---------------------|---------------------|---|----------------------------------|
|                          | Colourless          | Black               | Tightening diameter                       |                                  |
|                          |                     |                     | Test diameter (mm)                        | Guaranteed min. resistance (daN) |
| Ties with interior teeth | 0 318 20 - 0 320 30 | 0 318 00 - 0 320 12 | 18  | 8                                |
|                          | 0 318 21 - 0 320 31 | 0 318 01 - 0 320 13 | 20  | 8                                |
|                          | 0 318 22 - 0 320 32 | 0 318 02 - 0 320 14 | 38  | 8                                |
|                          | 0 318 23 - 0 320 37 | 0 318 03 - 0 320 15 | 20  | 13                               |
|                          | 0 318 24 - 0 320 38 | 0 318 04 - 0 320 18 | 38  | 13                               |
|                          | 0 318 25 - 0 320 39 | 0 318 05 - 0 320 19 | 38  | 13                               |
|                          | 0 318 26 - 0 320 40 | 0 318 06 - 0 320 20 | 38  | 13                               |
|                          | 0 318 27 - 0 320 42 | 0 318 07 - 0 320 22 | 38  | 22                               |
|                          | 0 318 28 - 0 320 43 | 0 318 08 - 0 320 23 | 38  | 22                               |
|                          | 0 318 29 - 0 320 44 | 0 318 09 - 0 320 24 | 38  | 22                               |
|                          | 0 318 33            | 0 318 13            | 38  | 22                               |
|                          | 0 318 30 - 0 320 47 | 0 318 10            | 38  | 53                               |
|                          | 0 318 34            | 0 318 14            | 38  | 53                               |
|                          | 0 318 31 - 0 320 49 | 0 318 11 - 0 320 29 | 38  | 53                               |
|                          | 0 318 35 - 0 320 45 | 0 318 15 - 0 320 25 | 38  | 53                               |
|                          | 0 318 32 - 0 320 50 | 0 318 12            | 38  | 53                               |
|                          | 0 318 36 - 0 320 46 | 0 318 16 - 0 320 26 | 38  | 77                               |
|                          | 0 318 37 - 0 320 48 | 0 318 17 - 0 320 27 | 38  | 77                               |
| 0 318 38 - 0 320 51      | 0 318 18 - 0 320 28 | 38                  | 111                                       |                                  |
| Ties with exterior teeth | 0 320 52            |                     | 20  | 8                                |
|                          | 0 320 54            |                     | 20  | 13                               |
|                          | 0 320 55            |                     | 38  | 22                               |
|                          | 0 320 57            |                     | 38  | 22                               |
|                          | 0 320 58            |                     | 38  | 53                               |
| Identification ties      | 0 320 61            |                     | 38  | 8                                |
|                          | 0 320 63            |                     | 38  | 22                               |

## 3. GENERAL CHARACTERISTICS (cont.)

### 3.2 Detent force



Stretch resistance

|                          | Cat. Nos            |                     | Detent force (daN) |
|--------------------------|---------------------|---------------------|--------------------|
|                          | Colourless          | Black               |                    |
| Ties with interior teeth | 0 318 20 - 0 320 30 | 0 318 00 - 0 320 12 | 0.5                |
|                          | 0 318 21 - 0 320 31 | 0 318 01 - 0 320 13 | 0.5                |
|                          | 0 318 22 - 0 320 32 | 0 318 02 - 0 320 14 | 0.5                |
|                          | 0 318 23 - 0 320 37 | 0 318 03 - 0 320 15 | 0.5                |
|                          | 0 318 24 - 0 320 38 | 0 318 04 - 0 320 18 | 0.5                |
|                          | 0 318 25 - 0 320 39 | 0 318 05 - 0 320 19 | 0.5                |
|                          | 0 318 26 - 0 320 40 | 0 318 06 - 0 320 20 | 0.5                |
|                          | 0 318 27 - 0 320 42 | 0 318 07 - 0 320 22 | 0.5                |
|                          | 0 318 28 - 0 320 43 | 0 318 08 - 0 320 23 | 0.5                |
|                          | 0 318 29 - 0 320 44 | 0 318 09 - 0 320 24 | 0.5                |
|                          | 0 318 33            | 0 318 13            | 1.5                |
|                          | 0 318 30 - 0 320 47 | 0 318 10            | 1                  |
|                          | 0 318 34            | 0 318 14            | 2                  |
|                          | 0 318 31 - 0 320 49 | 0 318 11 - 0 320 29 | 1                  |
|                          | 0 318 35 - 0 320 45 | 0 318 15 - 0 320 25 | 1.5                |
|                          | 0 318 32 - 0 320 50 | 0 318 12            | 1                  |
|                          | 0 318 36 - 0 320 46 | 0 318 16 - 0 320 26 | 2                  |
|                          | 0 318 37 - 0 320 48 | 0 318 17 - 0 320 27 | 2                  |
| 0 318 38 - 0 320 51      | 0 318 18 - 0 320 28 | 2                   |                    |
| Ties with exterior teeth | 0 320 52            |                     | 0.45               |
|                          | 0 320 54            |                     | 0.6                |
|                          | 0 320 55            |                     | 0.9                |
|                          | 0 320 57            |                     | 0.9                |
|                          | 0 320 58            |                     | 1.5                |
| Identification ties      | 0 320 61            |                     | 0.5                |
|                          | 0 320 63            |                     | 0.5                |

# Colring cable ties for equipment

Cat. Nos: 0 318 00 to 0 318 18 / 0 318 20 to 0 318 38 / 0 320 12 to 0 320 15 / 0 320 18 to 0 320 20 / 0 320 22 to 0 320 32 / 0 320 37 to 0 320 40 / 0 320 42 to 0 320 51

## 3. GENERAL CHARACTERISTICS (cont.)

### 3.3 Strength at temperature in °C

|                             | Colourless  | Black  |
|-----------------------------|-------------|--------|
| In permanent use: > 20,000h | 85°C        | 105°C  |
| In continuous use: > 1,000h | 100°C       | 120°C  |
| Permissible peak:           | 130°C       | 150°C  |
| Cold resistance:            | in use      | - 15°C |
|                             | at mounting | - 10°C |

|                               | Cat. Nos | Temperature resistance          |                                 |                        |
|-------------------------------|----------|---------------------------------|---------------------------------|------------------------|
|                               |          | max. operating temperature (°C) | min. operating temperature (°C) | min. installation (°C) |
| Colourless Colring Cable Ties | 0 320 30 | 75                              | -40                             | -10                    |
|                               | 0 320 31 | 75                              | -40                             | -10                    |
|                               | 0 320 32 | 75                              | -40                             | -10                    |
|                               | 0 320 37 | 75                              | -40                             | -10                    |
|                               | 0 320 38 | 75                              | -40                             | -10                    |
|                               | 0 320 39 | 75                              | -40                             | -10                    |
|                               | 0 320 40 | 75                              | -40                             | -10                    |
|                               | 0 320 42 | 75                              | -40                             | -10                    |
|                               | 0 320 43 | 75                              | -40                             | -10                    |
|                               | 0 320 44 | 75                              | -40                             | -10                    |
|                               | 0 320 47 | 75                              | -40                             | -10                    |
|                               | 0 320 49 | 75                              | -40                             | -10                    |
|                               | 0 320 50 | 75                              | -15                             | -10                    |
|                               | 0 320 52 | 75                              | -40                             | -10                    |
|                               | 0 320 54 | 75                              | -40                             | -10                    |
|                               | 0 320 55 | 75                              | -40                             | -10                    |
|                               | 0 320 57 | 75                              | -40                             | -10                    |
|                               | 0 320 58 | 75                              | -40                             | -10                    |
|                               | 0 320 61 | 75                              | -40                             | -10                    |
|                               | 0 320 63 | 75                              | -40                             | -10                    |
| Black Colring Cable Ties      | 0 320 45 | 75                              | -15                             | -10                    |
|                               | 0 320 46 | 75                              | -15                             | -10                    |
|                               | 0 320 48 | 75                              | -15                             | -10                    |
|                               | 0 320 51 | 75                              | -15                             | -10                    |
|                               | 0 320 12 | 105                             | -40                             | 0                      |
|                               | 0 320 13 | 105                             | -40                             | 0                      |
|                               | 0 320 14 | 105                             | -40                             | 0                      |
|                               | 0 320 15 | 105                             | -40                             | 0                      |
|                               | 0 320 18 | 105                             | -40                             | 0                      |
|                               | 0 320 19 | 105                             | -40                             | 0                      |
|                               | 0 320 20 | 105                             | -40                             | 0                      |
|                               | 0 320 22 | 105                             | -40                             | 0                      |
|                               | 0 320 23 | 105                             | -40                             | 0                      |
|                               | 0 320 24 | 105                             | -40                             | 0                      |
|                               | 0 320 29 | 105                             | -40                             | 0                      |
|                               | 0 320 25 | 85                              | -15                             | 0                      |
| 0 320 26                      | 85       | -15                             | 0                               |                        |
| 0 320 27                      | 85       | -15                             | 0                               |                        |
| 0 320 28                      | 85       | -15                             | 0                               |                        |

|                               | Cat. Nos | Temperature resistance          |                                 |                        |
|-------------------------------|----------|---------------------------------|---------------------------------|------------------------|
|                               |          | max. operating temperature (°C) | min. operating temperature (°C) | min. installation (°C) |
| Colourless Colring Cable Ties | 0 318 20 | 85                              | -15                             | -10                    |
|                               | 0 318 21 | 85                              | -15                             | -10                    |
|                               | 0 318 22 | 85                              | -15                             | -10                    |
|                               | 0 318 23 | 85                              | -15                             | -10                    |
|                               | 0 318 24 | 85                              | -15                             | -10                    |
|                               | 0 318 25 | 85                              | -15                             | -10                    |
|                               | 0 318 26 | 85                              | -15                             | -10                    |
|                               | 0 318 27 | 85                              | -15                             | -10                    |
|                               | 0 318 28 | 85                              | -15                             | -10                    |
|                               | 0 320 29 | 85                              | -15                             | -10                    |
|                               | 0 318 30 | 85                              | -15                             | -10                    |
|                               | 0 318 31 | 85                              | -15                             | -10                    |
|                               | 0 318 32 | 85                              | -15                             | -10                    |
|                               | 0 318 33 | 85                              | -15                             | -10                    |
|                               | 0 318 34 | 85                              | -15                             | -10                    |
|                               | 0 318 35 | 85                              | -15                             | -10                    |
|                               | 0 318 36 | 85                              | -15                             | -10                    |
|                               | 0 318 37 | 85                              | -15                             | -10                    |
| Black Colring Cable Ties      | 0 318 38 | 85                              | -15                             | -10                    |
|                               | 0 318 00 | 105                             | -15                             | 0                      |
|                               | 0 318 01 | 105                             | -15                             | 0                      |
|                               | 0 318 02 | 105                             | -15                             | 0                      |
|                               | 0 318 03 | 105                             | -15                             | 0                      |
|                               | 0 318 04 | 105                             | -15                             | 0                      |
|                               | 0 318 05 | 105                             | -15                             | 0                      |
|                               | 0 318 06 | 105                             | -15                             | 0                      |
|                               | 0 318 07 | 105                             | -15                             | 0                      |
|                               | 0 318 08 | 105                             | -15                             | 0                      |
|                               | 0 318 09 | 105                             | -15                             | 0                      |
|                               | 0 318 10 | 105                             | -15                             | 0                      |
|                               | 0 318 11 | 105                             | -15                             | 0                      |
|                               | 0 318 12 | 105                             | -15                             | 0                      |
|                               | 0 318 13 | 105                             | -15                             | 0                      |
|                               | 0 318 14 | 105                             | -15                             | 0                      |
|                               | 0 318 15 | 105                             | -15                             | 0                      |
|                               | 0 318 16 | 105                             | -15                             | 0                      |
| 0 318 17                      | 105      | -15                             | 0                               |                        |
| 0 318 18                      | 105      | -15                             | 0                               |                        |

### 3.4 Material characteristics

Humidity absorption: 1.2% (24h water at 23°C in accordance with ISO 62)  
Without halogens, sulphur, chlorine, silicone and asbestos.

### 3.5 Fire behaviour

- Resistance to Needle-Flame test method  
IEC 60 695-11-5 ..... 850°C on a plastic chip 1.6 or 3 mm thick
- Classification according to ..... UL 94 V2
- Limiting oxygen index (LOI) EN/ISO 4589-1 / ASTM D 2863-00  
Colourless: ..... 28.5%  
Black: ..... 26%
- Corrosiveness of smoke according to NFC 20-453: ..... < 5%

# Colring cable ties for equipment

Cat. Nos: 0 318 00 to 0 318 18 / 0 318 20 to 0 318 38 / 0 320 12 to 0 320 15 / 0 320 18 to 0 320 20 / 0 320 22 to 0 320 32 / 0 320 37 to 0 320 40 / 0 320 42 to 0 320 51

## 3. GENERAL CHARACTERISTICS (cont.)

### 3.6 Ultra-Violet resistance

- Resistance to ultra-violet using the EDF test according to standard EN 62275
- Colourless: ..... not protected
- Black: ..... protected

### 3.7 Resistance to chemical agents

|                        |                           |    |
|------------------------|---------------------------|----|
| <b>Mineral acids</b>   | Hydrochloric $\leq 10\%$  | ++ |
|                        | Sulphuric $\leq 10\%$     | ++ |
|                        | Nitric all concentrations | -  |
| <b>Organic acids</b>   | Acetic                    | +  |
|                        | Tartaric                  | ++ |
|                        | Uric                      | ++ |
|                        | Formic                    | -  |
| <b>Bases minérales</b> | Soda $\leq 10\%$          | ++ |
|                        | Potassium $\leq 10\%$     | ++ |
|                        | Ammoniac $\leq 10\%$      | ++ |
| <b>Organic bases</b>   | Anilines (pure)           | +  |
|                        | Pyridine (pure)           | -  |
|                        | Urea                      | ++ |
|                        | Oils                      | ++ |
|                        | Greases                   | ++ |
|                        | Petroleum products        | ++ |
|                        | Sea water                 | ++ |
|                        | Chlorinated solvents      | -  |
|                        | Phenols                   | -  |
|                        | Alcohol                   | ++ |
|                        | Hydrocarbons              | ++ |
|                        | Mineral salts             | ++ |

at a temperature of 23°C

++ : excellent    + : moderate    - : low

## 4. COMPLIANCE WITH STANDARDS

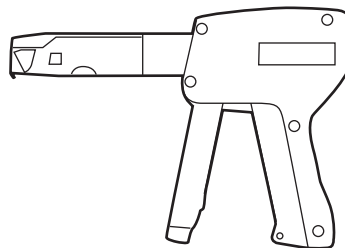
- EN 62275 type1 (NFC 68-146)
- Standard UL 1565
- Standard SAE -AS 33671

## 5. ACCESSORIES

### 5.1 Legrand P46 tool

Cat. No. 0 320 88

- Direct adjustment of the tightening stress via the knurled knob located at the base of the handle.
- After tightening, a blade automatically cuts the excess length flush with the head.



- For cable ties 2.4 - 3.5 mm wide and 4.6 mm wide, tightening and cutting of the excess length can be performed using the Legrand P46 tool. Note that, for a width of 7.6 mm, the use of the Colson tool (Cat. no. 0 319 96) is recommended.

### 5.2 Clip-on base

Cat. No. 0 320 76

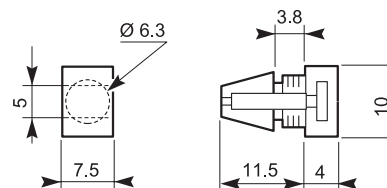
Material: plastic (colourless)

For ties 4.6 mm wide max.

For sheet steel 0.5 to 3 mm thick

Drilling diameter: 6 to 6.35 mm

Overall dimensions:



### 5.3 Screw-on base

Cat. Nos:

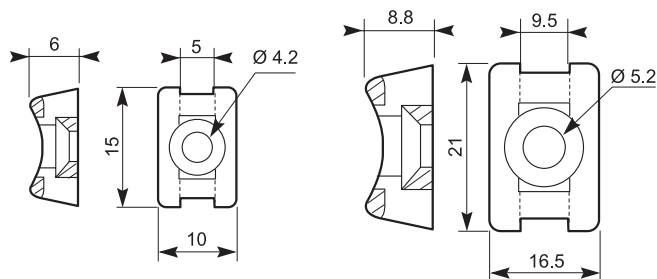
- with central fixation

- 0 320 70 for tie 4.6 mm wide max. and screw  $\varnothing 4$  mm

- 0 320 72 for tie 7.6 mm wide max. and screw  $\varnothing 5$  mm

Material: plastic

Overall dimensions:



## 5. ACCESSORIES (cont.)

### 5.4 Self-adhesive bases

Cat. Nos: 0 320 65 (colourless) and 0 320 67 (black)

Material: plastic

For ties 4.6 mm wide max.

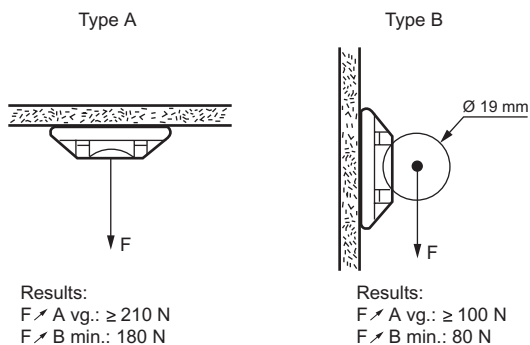
Rapid set adhesive:

- Maximum hold after polymerization for 48h; to be mounted on a clean, degreased surface, applying a force of 5daN for 5 seconds

- Installation temperature: between 20°C and 40°C

Not recommended below 10°C

Tear-off resistance:

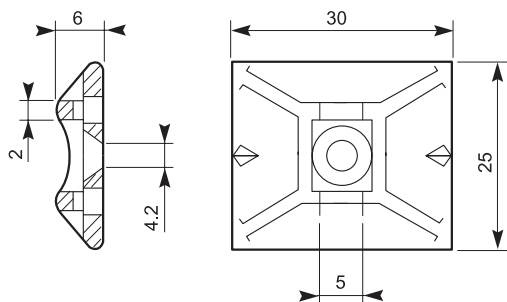


180N axial tension and 80N perpendicular tension.

The static resistance is 240 hours minimum under a load of 20N.

Tests performed at ambient temperature.

Overall dimensions:

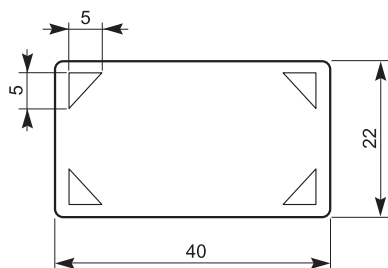


### 5.5 Identification plate

Cat. No(s): 0 320 85

For ties 4.6 mm wide max.

Marking with black felt-tip pen with indelible ink Cat. No.: 0 395 98



## 5. ACCESSORIES (cont.)

### 5.6 Black felt-tip pen

Cat. No(s): 0 395 98

Felt-tip pen with indelible ink.

Adheres to all clean dry surfaces.

