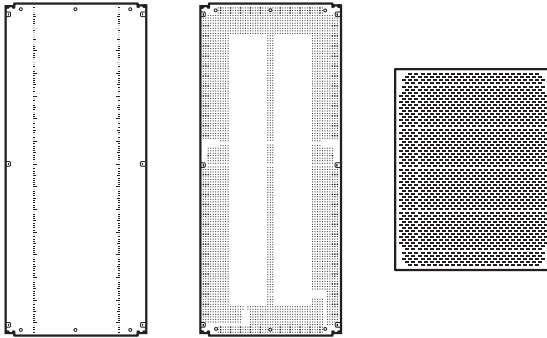


Plates and chassis for Altis one-piece and extendable enclosures

Catalogue number(s): 0 474 85/86 - 0 474 90 to 0 474 98 - 0 475 05 to 0 475 11 -
0 475 13 to 0 475 16 - 0 475 25 to 0 475 37 - 0 475 50 to
0 475 55 - 0 476 00/01/04 to 0 476 19 - 0 476 49/51/52/53/54 -
0 477 24/26/28/30/32/36 - 0 481 40 to 0 481 45



CONTENTS

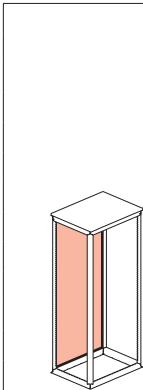
- 1. Range 1 to 3
- 2. Dimensions 3 to 5
- 3. Installation 6 to 8
- 4. Associated products and accessories 8

1. RANGE

Solid plates

Premarked at intervals of 10 mm
Drill holes for lifting rings
Permissible load: 200 kg/m²
Galvanised steel

Cat. No.	Height	For enclosures (Width mm)	Weight (kg)
0 476 00	1200	600	14.9
0 476 01	1200	800	19.8
0 476 04	1600	600	19.9
0 476 05	1600	800	25.5
0 476 06	1600	1000	30.9
0 476 07	1600	1200	39.5
0 476 08	1800	400	15.3
0 476 09	1800	600	22
0 476 10	1800	800	29
0 476 11	1800	1000	37.1
0 476 12	1800	1200	43.9
0 476 13	1800	1600	60.7
0 476 14	2000	400	16.8
0 476 15	2000	600	24.7
0 476 16	2000	800	33.2
0 476 17	2000	1000	40.2
0 476 18	2000	1200	46
0 476 19	2000	1600	57.9

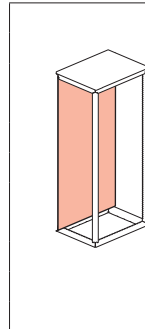


1. RANGE (continued)

Full size solid plates

Usable plate area same as the enclosure width, providing a continuous link between two assembled enclosure plates.
Mounted from the front of the enclosure.
Premarked at intervals of 10 mm.
Drill holes for lifting rings
Permissible load: 150 kg/m².
Galvanised steel.

Cat. No.	Height	For enclosures (Width mm)	Weight (kg)
0 475 05	1600	800	29
0 475 06	1600	1000	35.3
0 475 07	1600	1200	31.4
0 475 08	1800	600	25.4
0 475 09	1800	800	34.5
0 475 10	1800	1000	43.1
0 475 11	1800	1200	45.8
0 475 13	2000	600	28.7
0 475 14	2000	800	38.6
0 475 15	2000	1000	42
0 475 16	2000	1200	50.4



Plates and chassis for Altis one-piece and extendable enclosures

Catalogue number(s): 0 474 85/86 - 0 474 90 to 0 474 98 - 0 475 05 to 0 475 11 - 0 475 13 to 0 475 16 - 0 475 25 to 0 475 37 - 0 475 50 to 0 475 55 - 0 476 00/01/04 to 0 476 19 - 0 476 49/51/52/53/54 - 0 477 24/26/28/30/32/36 - 0 481 40 to 0 481 45

1. RANGE (continued)

Lina 12.5 plate

Galvanised steel.

With drill holes to enable equipment to be installed without marking up.

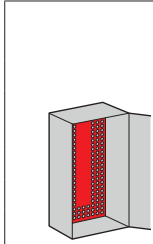
Automatic alignment:

- Ø 6.5 mm for insulating rivets Cat. No. 0 366 44 (trunking)

- Ø 3.3 mm for equipment with screws Cat. No. 0 347 45

Drill holes for lifting rings

Permissible load: 200 kg/m².

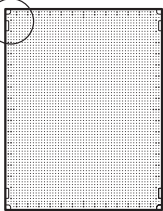
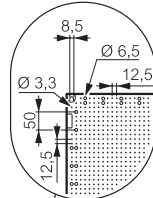


Cat. No.	Height	For enclosures (Width mm)	Weight (kg)
0 475 25	1600	800	24.1
0 475 26	1600	1000	30.7
0 475 27	1600	1200	36.7
0 475 28	1800	600	20.6
0 475 29	1800	800	27.3
0 475 30	1800	1000	34.3
0 475 31	1800	1200	41.3
0 475 32	1800	1600	59.3
0 475 33	2000	600	22.6
0 475 34	2000	800	30.7
0 475 35	2000	1000	38.3
0 475 36	2000	1200	45.9
0 475 37	2000	1600	66.2

Lina 12.5 and Lina 25 partial plates are mounted directly on the frame or on sectioned uprights for extendable enclosures, and using sectioned uprights for one-piece enclosures.

Lina 12.5 partial plate

Characteristics identical to the Lina 12.5 plate, apart from the permissible load, which is 150 kg/m².



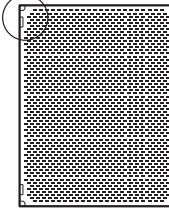
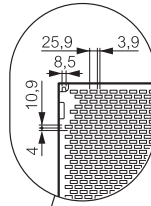
Cat. No.	Height	For enclosures (Width mm)	Weight (kg)
0 481 40	800	800	6.9
0 481 41	800	1000	9
0 481 42	800	1200	10.8
0 481 43	1000	800	8.6
0 481 44	1000	1000	11.1
0 481 45	1000	1200	13.5

1. RANGE (continued)

Lina 25 partial plate

Zinc-plated steel

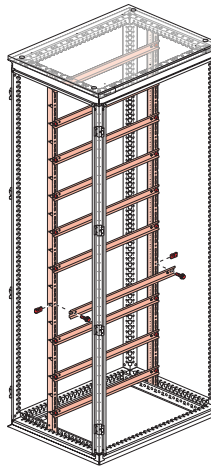
Permissible load: 50 kg/m².



Cat. No.	Height	For enclosures (Width mm)	Weight (kg)
0 474 89	800	600	3.9
0 474 90	800	800	5.1
0 474 91	800	1000	6
0 474 92	800	1200	7.2
0 474 93	800	1600	9.4
0 474 94	1000	600	4.6
0 474 95	1000	800	5.8
0 474 96	1000	1000	7
0 474 97	1000	1200	8.6
0 474 98	1000	1600	11.5
0 474 85	1200	600	5.3
0 474 86	1200	800	6.9

Note: For 1200 and 1400 mm height enclosures, the partial plate used covers the entire height of the enclosure

Chassis: Sectioned uprights and rails



Cat. No.	Sectioned uprights
	For Lina 25 □ or ▤ rails or partial plates. Set of 2 galvanised uprights for enclosures height (mm)
0 475 50	1200
0 475 51	1400
0 475 52	1600
0 475 53	1800
0 475 54	2000
0 475 55	2200
Cat. No.	Lina 25 rails for chassis
	galvanised For enclosures width (mm)
0 477 24	400
0 477 26	600
0 477 28	800
0 477 30	1000
0 477 32	1200
0 477 36	1600

Plates and chassis for Altis one-piece and extendable enclosures

Catalogue number(s): 0 474 85/86 - 0 474 90 to 0 474 98 - 0 475 05 to 0 475 11 - 0 475 13 to 0 475 16 - 0 475 25 to 0 475 37 - 0 475 50 to 0 475 55 - 0 476 00/01/04 to 0 476 19 - 0 476 49/51/52/53/54 - 0 477 24/26/28/30/32/36 - 0 481 40 to 0 481 45

1. RANGE (continued)

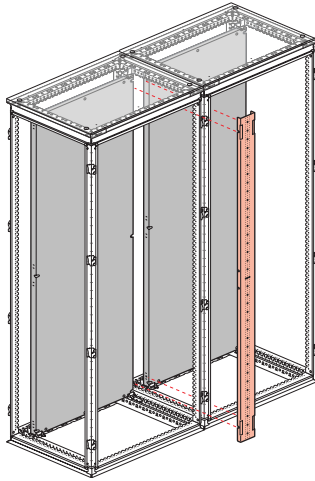
Perforated intermediate plate

For extendable enclosures.

Create a continuous link between 2 solid or Lina 12.5 plates.

Lina 12.5 perforation.

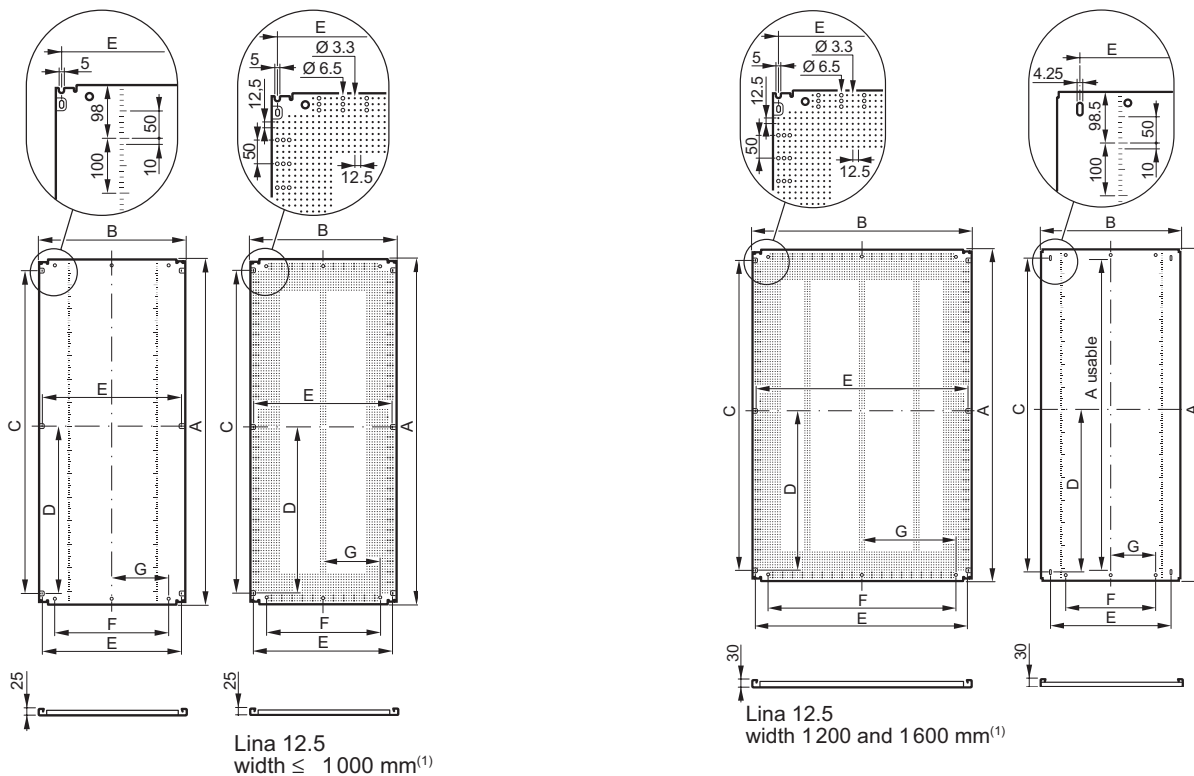
Galvanised steel



Cat. No.	For enclosures (Height mm)
0 476 49	1200
0 476 51	1600
0 476 52	1800
0 476 53	2000

2. DIMENSIONS (mm)

Solid, Lina 12.5⁽¹⁾ and full size solid plates (mm)



⁽¹⁾ Width of perforated strips, outer: 112.5 mm and inner: 25 mm

Plates and chassis for Altis one-piece and extendable enclosures

Catalogue number(s): 0 474 85/86 - 0 474 90 to 0 474 98 - 0 475 05 to 0 475 11 -
0 475 13 to 0 475 16 - 0 475 25 to 0 475 37 - 0 475 50 to
0 475 55 - 0 476 00/01/04 to 0 476 19 - 0 476 49/51/52/53/54 -
0 477 24/26/28/30/32/36 - 0 481 40 to 0 481 45

2. DIMENSIONS (mm)

Solid, Lina 12.5⁽¹⁾ and full size solid plates (mm)

Enclosure dimensions Height x Width	Solid and Lina 12.5 plates							
	A	B	C	D	E	F	G	Area (dm ²)
1200 x 600 ⁽²⁾	1096	500	1020	510	475	360	180	55
1200 x 800 ⁽²⁾	1096	700	1020	510	675	560	280	77
1600 x 600 ⁽²⁾	1496	500	1420	710	475	360	180	75
1600 x 800	1496	700	1420	710	675	560	280	105
1600 x 1000	1496	900	1420	710	875	760	380	135
1600 x 1200	1496	1100	1420	710	1075	960	480	165
1800 x 400 ⁽²⁾	1696	300	1620	810	275	160	80	51
1800 x 600	1696	500	1620	810	475	360	180	85
1800 x 800	1696	700	1620	810	675	560	280	119
1800 x 1000	1696	900	1620	810	875	760	380	153
1800 x 1200	1696	1100	1620	810	1075	960	480	187
1800 x 1600	1696	1500	1620	810	1475	1360	680	254
2000 x 400 ⁽²⁾	1896	300	1820	910	275	160	80	57
2000 x 600	1896	500	1820	910	475	360	180	95
2000 x 800	1896	700	1820	910	675	560	280	133
2000 x 1000	1896	900	1820	910	875	760	380	171
2000 x 1200	1896	1100	1820	910	1075	960	480	209
2000 x 1600	1896	1500	1820	910	1475	1360	680	284

Enclosure dimensions Height x Width	Full size solid plates				
	A	B	C	D	Area (dm ²)
1600 x 800	1496	790	1437	673	118
1600 x 1000	1496	990	1437	873	148
1600 x 1200	1496	1190	1437	1073	178
1800 x 600	1696	590	1637	473	100
1800 x 800	1696	790	1637	673	134
1800 x 1000	1696	990	1637	873	168
1800 x 1200	1696	1190	1637	1073	202
2000 x 600	1896	590	1837	473	112
2000 x 800	1896	790	1837	673	150
2000 x 1000	1896	990	1837	873	188
2000 x 1200	1896	1190	1837	1073	226

⁽¹⁾ Width of perforated strips, outer: 112.5 mm and inner: 25 mm

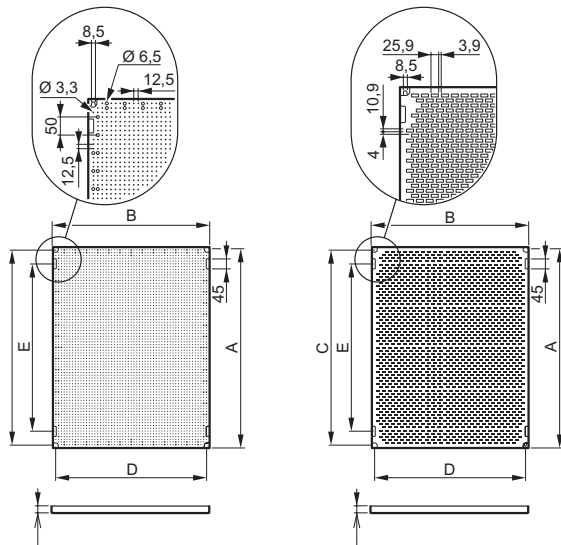
⁽²⁾ Dimensions only available for solid plates

Plates and chassis for Altis one-piece and extendable enclosures

Catalogue number(s): 0 474 85/86 - 0 474 90 to 0 474 98 - 0 475 05 to 0 475 11 - 0 475 13 to 0 475 16 - 0 475 25 to 0 475 37 - 0 475 50 to 0 475 55 - 0 476 00/01/04 to 0 476 19 - 0 476 49/51/52/53/54 - 0 477 24/26/28/30/32/36 - 0 481 40 to 0 481 45

2. DIMENSIONS (mm) (continued)

Lina 12.5 partial plates and Lina 25 perforated plates



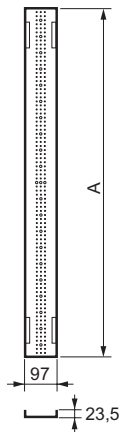
Enclosure dimensions Height x Width	Lina 12.5 partial plates and Lina 25 perforated plates					
	A	B	C	D	E	Area (dm ²)
1200 x 600 ⁽³⁾	1103	503	1075	475	950	55
1200 x 800 ⁽³⁾	1103	703	1075	675	950	78
1400 x 600 ⁽³⁾	1303	503	1275	475	1150	66
1400 x 800 ⁽³⁾	1303	703	1275	675	1150	92
800 x 600 ⁽³⁾	703	503	675	475	550	35
800 x 800	703	703	675	675	550	49
800 x 1000	703	903	675	875	550	63
800 x 1200	703	1103	675	1075	550	78
800 x 1600 ⁽³⁾	703	1503	675	1475	550	106
1000 x 600 ⁽³⁾	903	503	875	475	750	45
1000 x 800	903	703	875	675	750	63
1000 x 1000	903	903	875	875	750	82
1000 x 1200	903	1103	875	1075	750	100
1000 x 1600 ⁽³⁾	903	1503	875	1475	750	136

⁽³⁾ Dimensions only available for Lina 25 plates

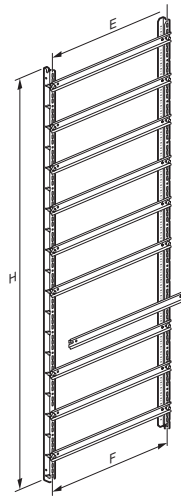
Chassis consisting of sectioned uprights + rails

Intermediate plates

Cat. No. 0 476 49/50/51/52/53/54



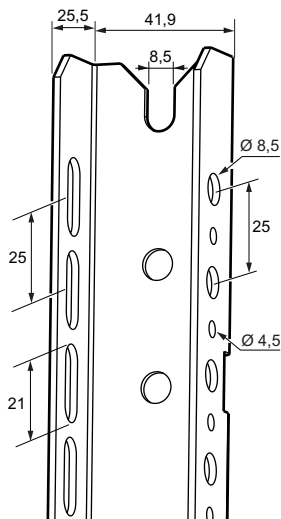
Enclosure dim. Height	Intermediate plates	
	A	Area (dm ²)
1200	1074	10
1600	1474	14
1800	1674	16
2000	1874	18



Enclosure dim. Height x Width	Chassis		
	E Fixing centre	F Space between uprights	H
1200 x 600	475	455	1175
1200 x 800	675	655	1175
1800 x 400	275	255	1775
1800 x 600	475	455	1775
1800 x 800	675	655	1775
1800 x 1000	875	855	1775
1800 x 1200	1075	1055	1775
2000 x 400	275	255	1975
2000 x 600	475	455	1975
2000 x 800	675	655	1975
2000 x 1000	875	855	1975
2000 x 1200	1075	1055	1975
1600 x 600	475	455	1575
1600 x 800	675	655	1575
1600 x 1200	1075	1055	1575
2000 x 1600	1475	1455	1975

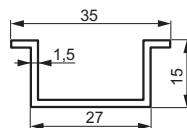
Sectioned uprights

Cat. No. 0 475 50/52/53/54



Lina 25 rails

Cat. No. 0 477 24/26/28/30/32/36

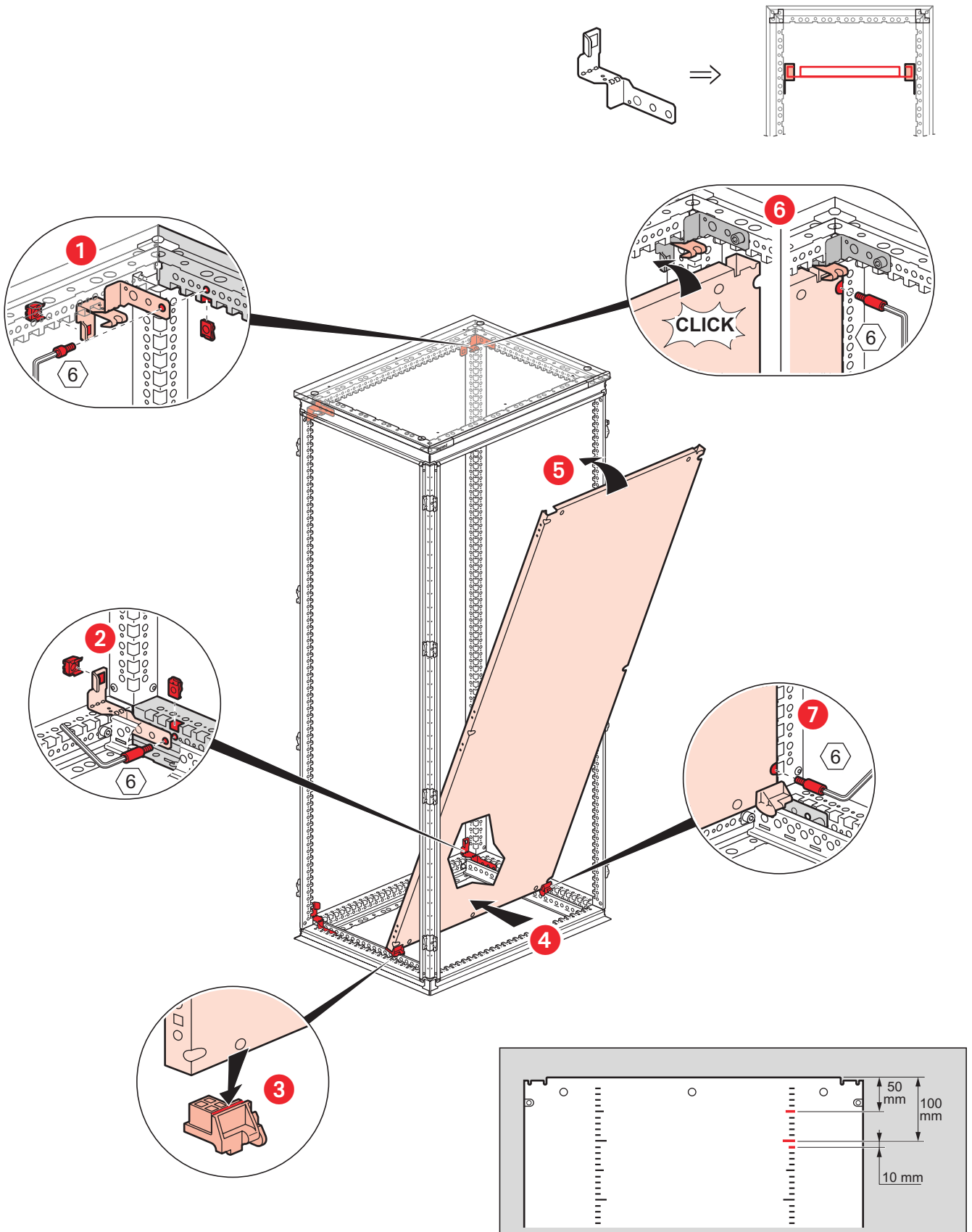


Plates and chassis for Altis one-piece and extendable enclosures

Catalogue number(s): 0 474 85/86 - 0 474 90 to 0 474 98 - 0 475 05 to 0 475 11 -
 0 475 13 to 0 475 16 - 0 475 25 to 0 475 37 - 0 475 50 to
 0 475 55 - 0 476 00/01/04 to 0 476 19 - 0 476 49/51/52/53/54 -
 0 477 24/26/28/30/32/36 - 0 481 40 to 0 481 45

3. INSTALLATION

Solid plate

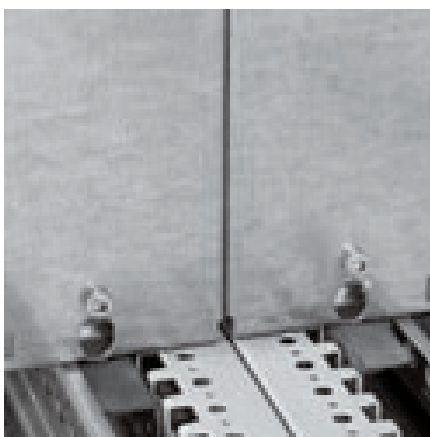
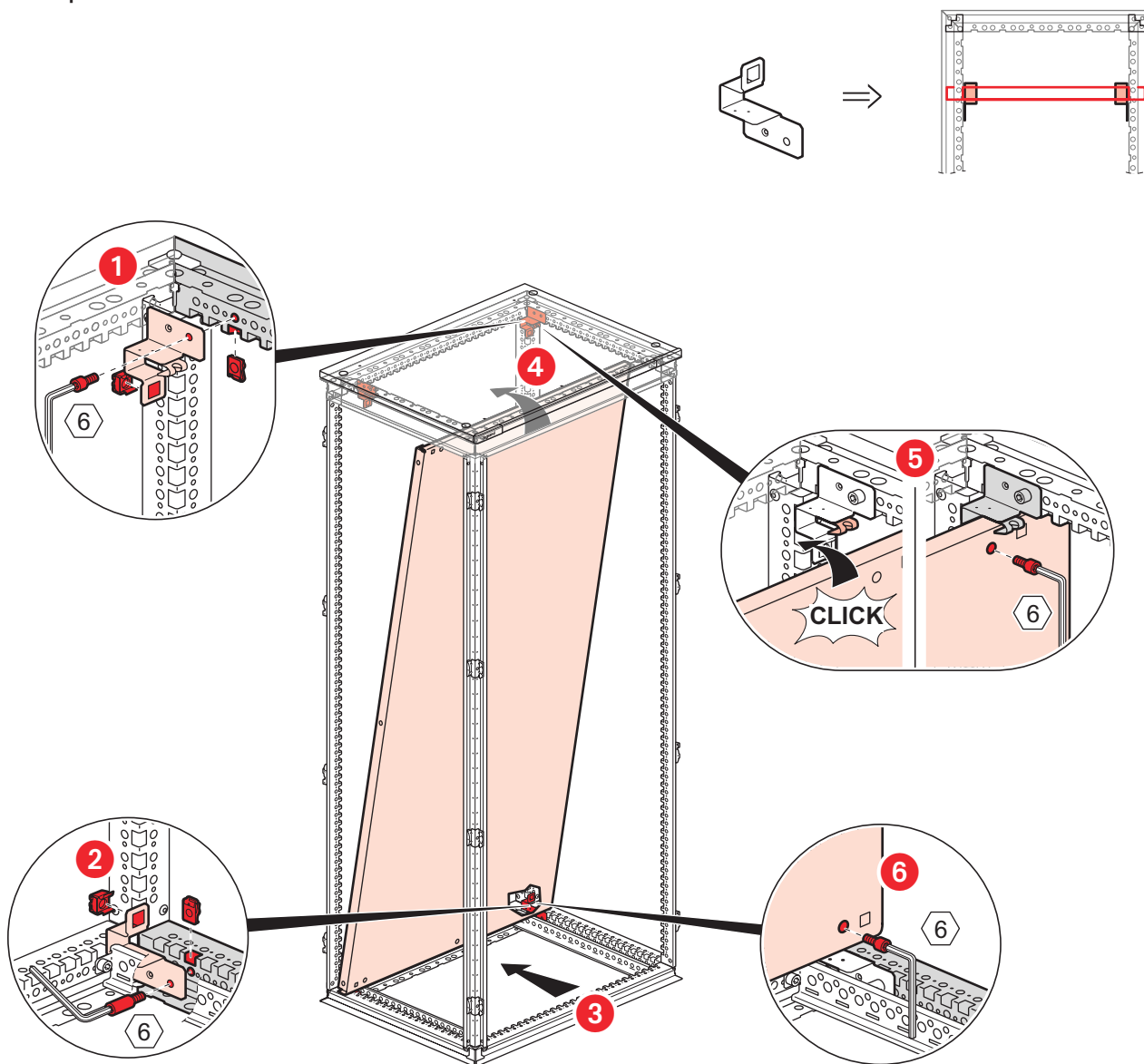


Plates and chassis for Altis one-piece and extendable enclosures

Catalogue number(s): 0 474 85/86 - 0 474 90 to 0 474 98 - 0 475 05 to 0 475 11 - 0 475 13 to 0 475 16 - 0 475 25 to 0 475 37 - 0 475 50 to 0 475 55 - 0 476 00/01/04 to 0 476 19 - 0 476 49/51/52/53/54 - 0 477 24/26/28/30/32/36 - 0 481 40 to 0 481 45

3. INSTALLATION (continued)

Full size solid plate



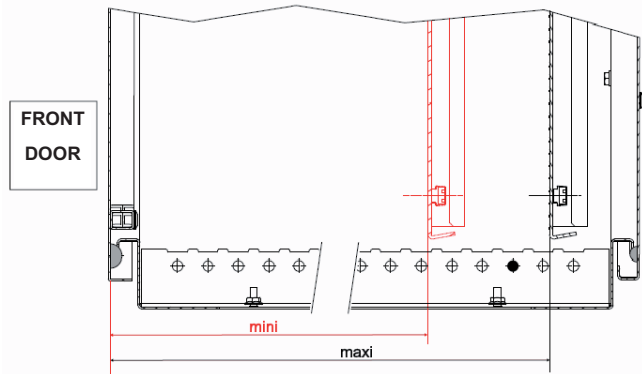
Example of mounting 2 full size solid plates at the back of extendable enclosures

Plates and chassis for Altis one-piece and extendable enclosures

Catalogue number(s): 0 474 85/86 - 0 474 90 to 0 474 98 - 0 475 05 to 0 475 11 - 0 475 13 to 0 475 16 - 0 475 25 to 0 475 37 - 0 475 50 to 0 475 55 - 0 476 00/01/04 to 0 476 19 - 0 476 49/51/52/53/54 - 0 477 24/26/28/30/32/36 - 0 481 40 to 0 481 45

3. INSTALLATION (continued)

Positioning of full size solid plates in Altis one-piece enclosures
Can only be fitted from 400 mm depth upwards.



	Depth		
(mm)	400	500	600
Min.	260	260	260
Max.	360	460	560

4. ASSOCIATED PRODUCTS AND ACCESSORIES

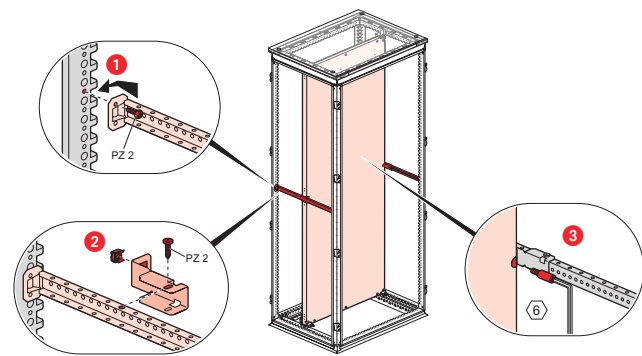
Reinforcing bracket

Cat. No. 0 480 21

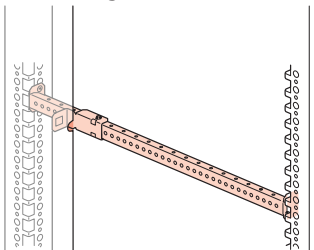
Set of 2

Can be used to add a fixing point halfway up solid or Lina 12.5 plates in 1600 mm wide extendable or one-piece enclosures.

Fit on horizontal crosspieces for extendable enclosures and on runners (below) Cat. No. 0 480 22 for one-piece enclosures.



Reinforcing bracket

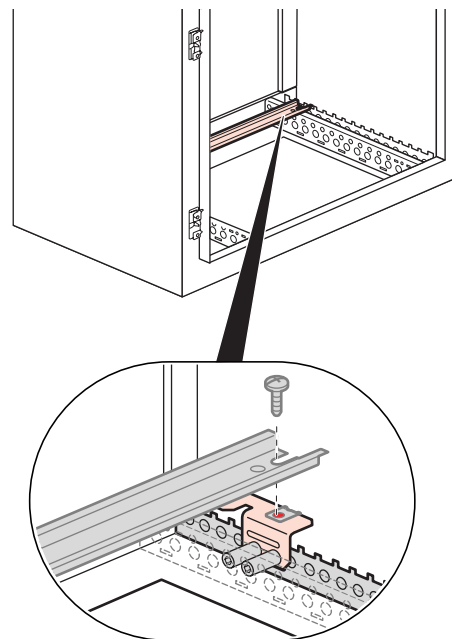
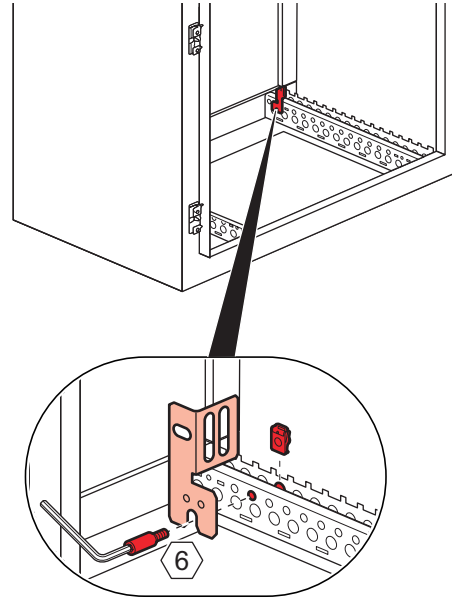


4. ASSOCIATED PRODUCTS AND ACCESSORIES

Reinforcing bracket

Set of 4 fixing lugs for non-Legrand uprights or fixing earthing terminal block or bar.

Cat. No. 0 480 20



Plates and chassis for Altis one-piece and extendable enclosures

Catalogue number(s): 0 474 85/86 - 0 474 90 to 0 474 98 - 0 475 05 to 0 475 11 - 0 475 13 to 0 475 16 - 0 475 25 to 0 475 37 - 0 475 50 to 0 475 55 - 0 476 00/01/04 to 0 476 19 - 0 476 49/51/52/53/54 - 0 477 24/26/28/30/32/36 - 0 481 40 to 0 481 45

4. ASSOCIATED PRODUCTS AND ACCESSORIES

(continued)

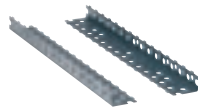
Runners

Cat. No. 0 480 22

Set of 2 runners for mounting 2 chassis or plates in 1200/1600 mm wide one-piece enclosures (order 2 sets)

Depth adjustment 400/500/600 mm.

Also used with reinforcing brackets Cat. No. 0 480 21 (above) to add a fixing point halfway up solid or Lina 12.5 plates in 1600 mm wide one-piece enclosures.



Fixings

Cat. No.	Description	Type of plate
0 347 46	For use with screwdriver PZ N3 Self-tapping screw CBL Z 5.5 x 16	Solid, full size solid and intermediate plates
0 347 47	Self-boring self-tapping screw CBL Z 5.5 x 19	
0 366 44	Reinforced plastic rivet Ø 6 mm for Ø 6.5 mm drill holes	Lina 12.5 plate
0 347 45	H. 4.8 mm x 16 self-boring self-tapping screw for Ø 3.3 mm	
0 347 50	Screw covers for insulating the heads of 347 45 screws inside ducting	
0 364 40	Clip-nuts for M4 screws	Lina 25 perforated plate
0 364 41	Clip-nuts for M5 screws	
0 364 42	Clip-nuts for M6 screws	