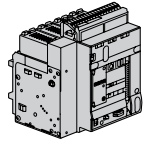
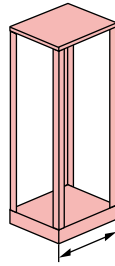


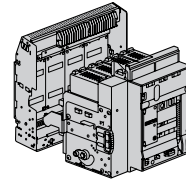
1



3P / 4P

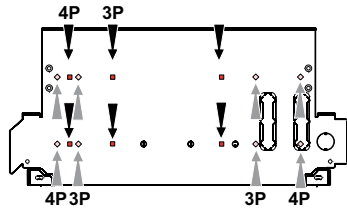


600/850

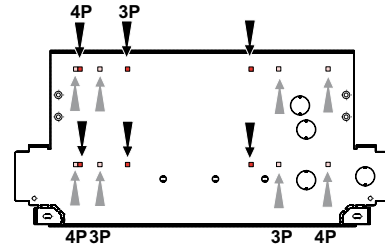


3P / 4P

207 51



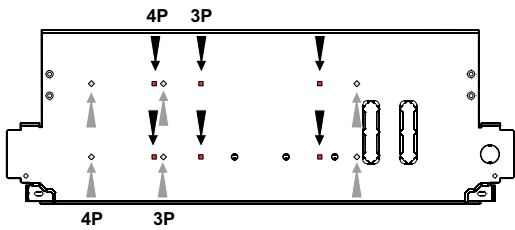
207 53



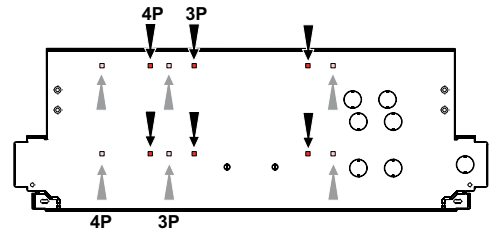
■	3 P	DMX 2500 N/H	x	x
◇	3 P	DMX 2500 L, 4000 N/H/L	x	x
■	4 P	DMX 2500 N/H	x	x
◇	4 P	DMX 2500L, 4000 N/H/L	x	

■	3 P	DMX 2500 N/H	x	x
□	3 P	DMX 2500 L, 4000 N/H/L	x	
■	4 P	DMX 2500 N/H	x	x
□	4 P	DMX 2500 L, 4000 N/H/L	x	

207 52



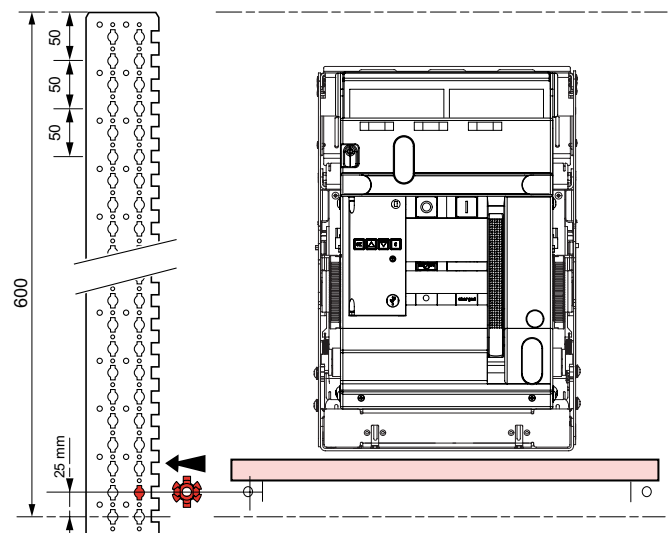
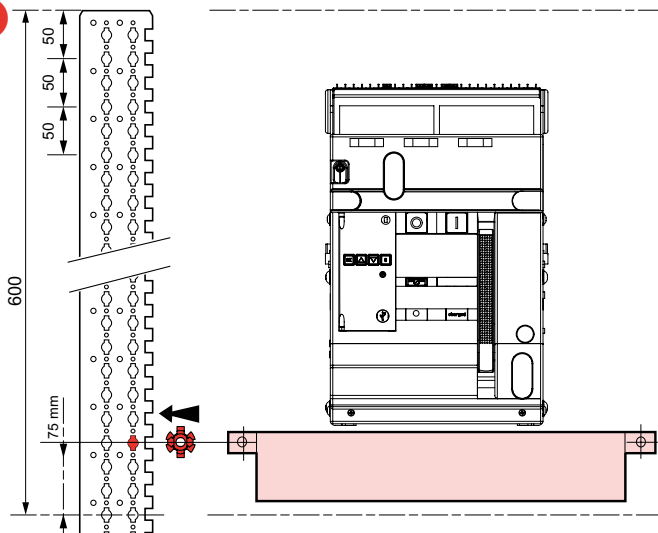
207 54



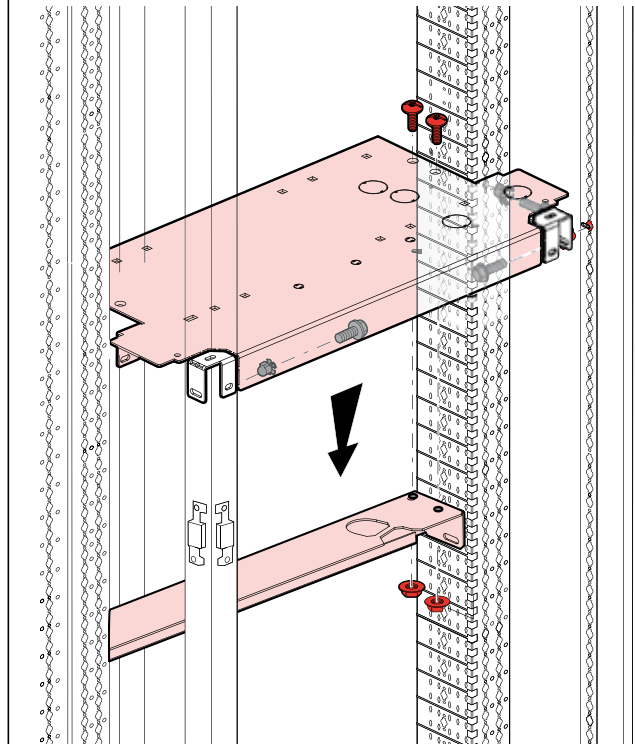
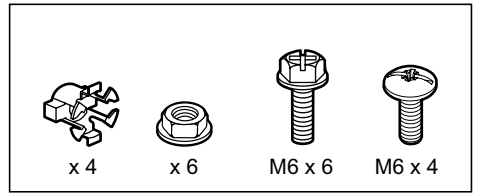
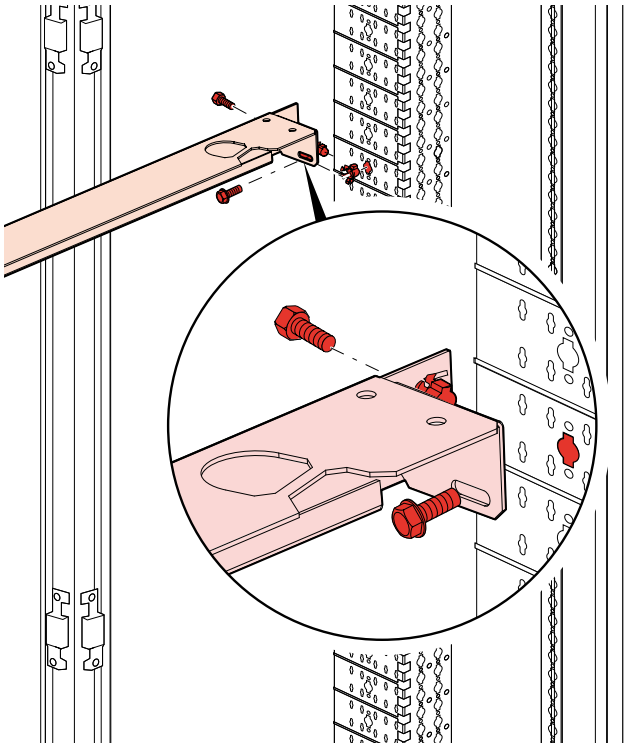
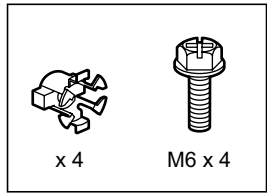
■	3 P	DMX 2500 N/H	x	x
◇	3 P	DMX 2500 L, 4000 N/H/L	x	x
■	4 P	DMX 2500 N/H	x	x
◇	4 P	DMX 2500L, 4000 N/H/L	x	x

■	3 P	DMX 2500 N/H	x	x
□	3 P	DMX 2500 L, 4000 N/H/L	x	x
■	4 P	DMX 2500 N/H	x	x
□	4 P	DMX 2500L, 4000 N/H/L	x	x

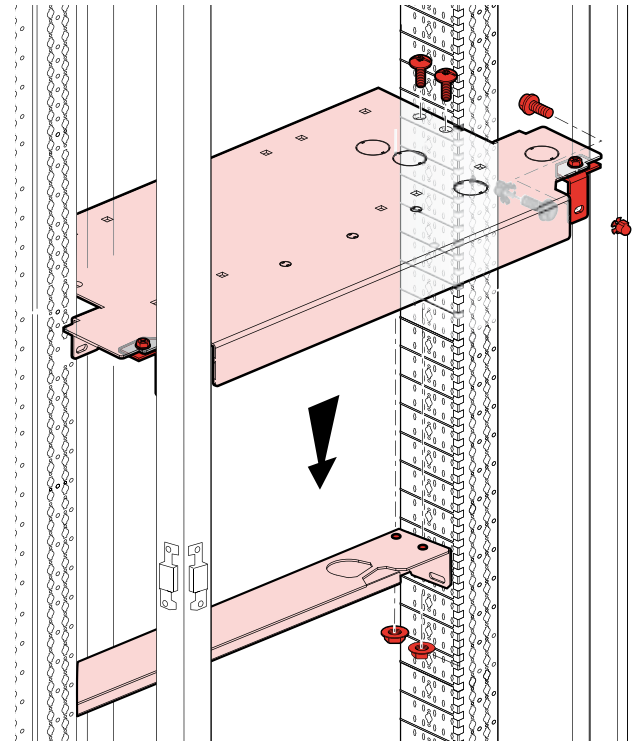
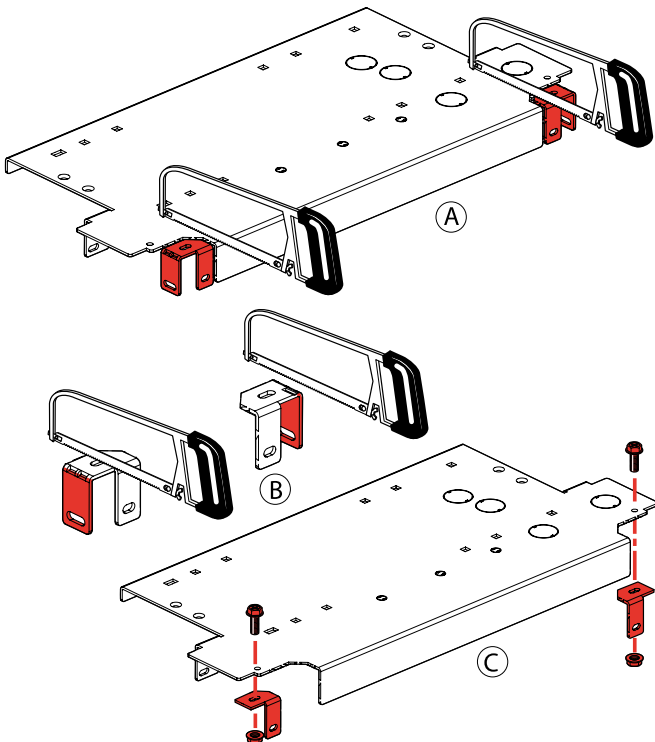
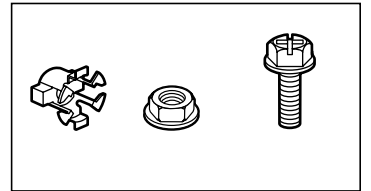
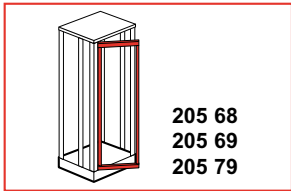
2



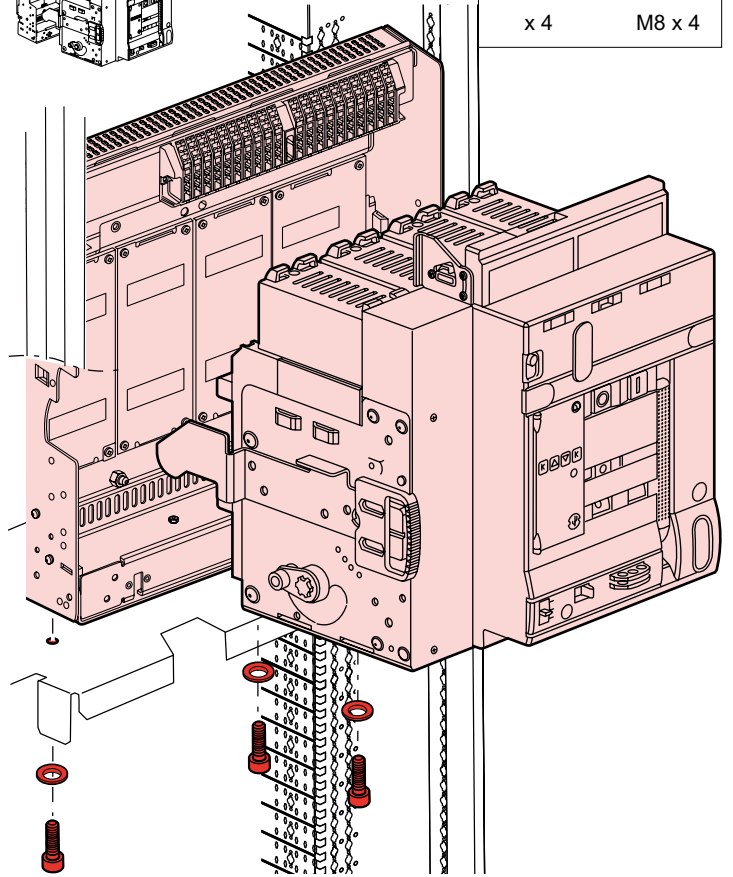
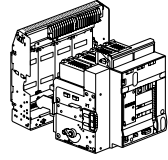
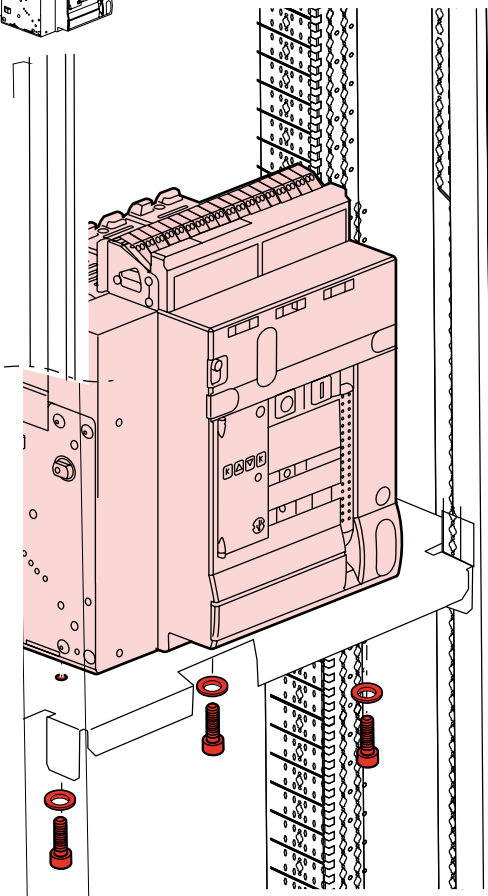
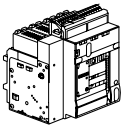
3



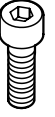
4



5

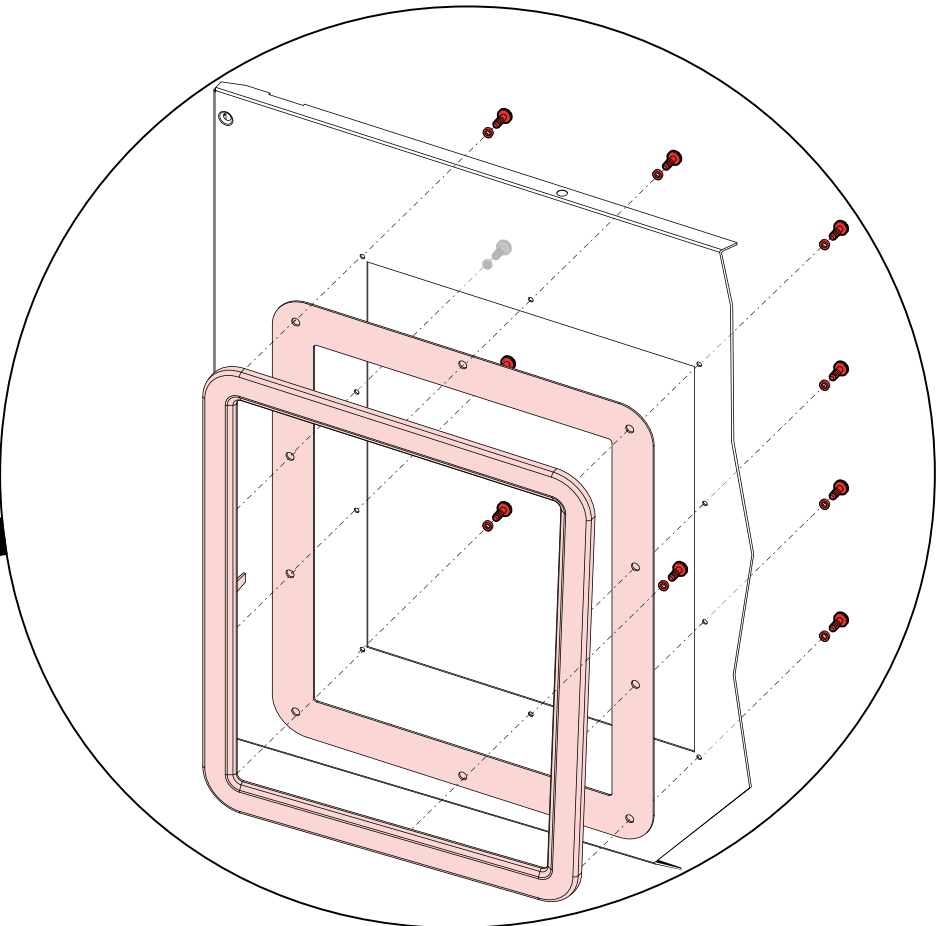
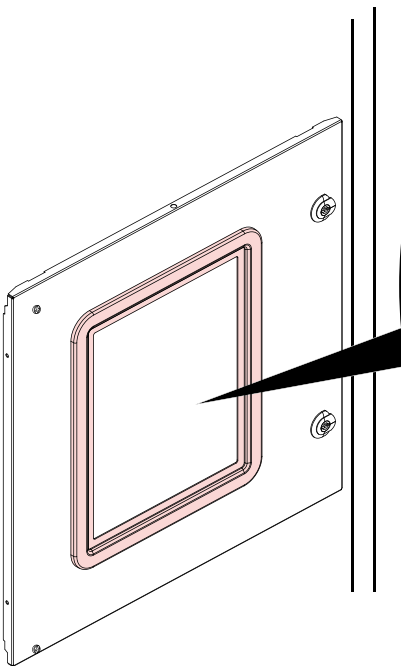
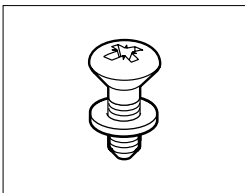


x 4

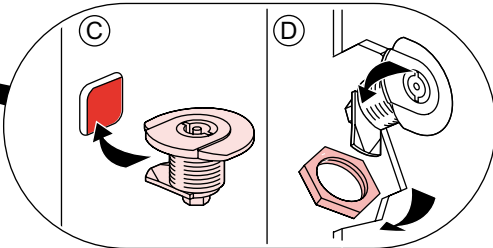
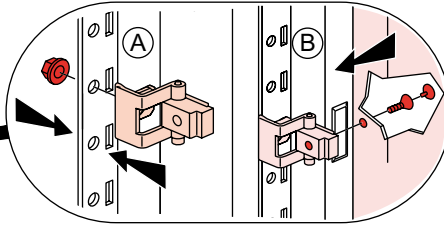
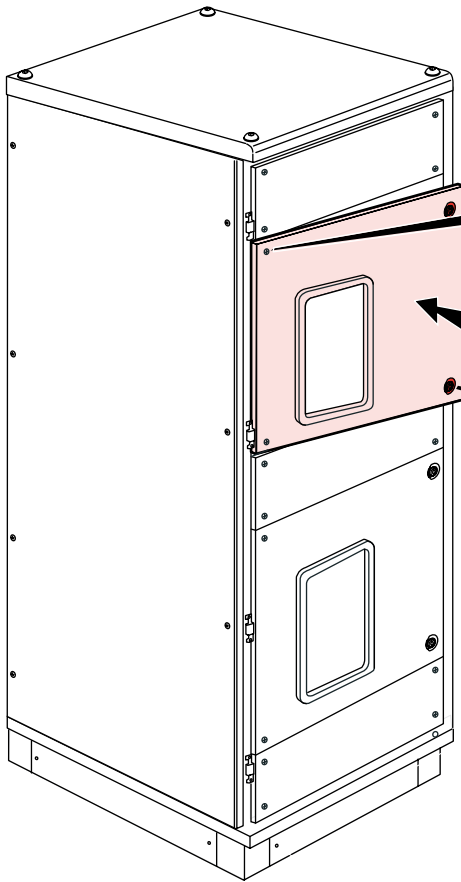
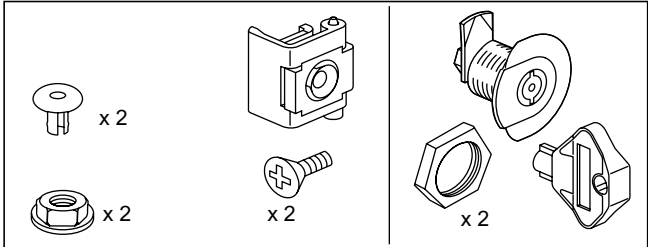


M8 x 4

6



7



h=200 mm

