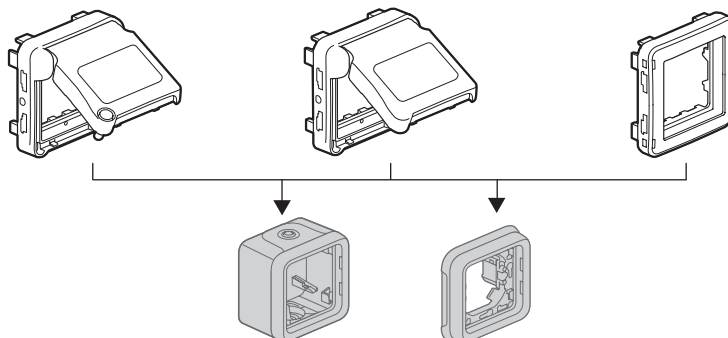


Plexo™ / Mosaic™ adaptors

Cat. No(s): 0 695 79/80/82 - 0 707 25



1. USE

Weatherproof wiring device system designed for residential and professional technical locations (garages, cellars, car parks, workshops and industrial kitchens, etc) as well as for outdoor applications (patios, gardens, camp sites, etc).

These three adaptors with or without lid (IP 20 or IP 55) give access to more than 90 different mechanisms in the Mosaic programme, while maintaining the characteristics of the Plexo range. They can be flush or surface mounted on all one-gang, multi-gang and cable gland boxes in the Plexo range.

This product is made of silver-ion based antimicrobial* material. This technology eliminates bacteria, fungi and viruses without creating any immunisation or resistance effects (physical, rather than chemical, destruction).

Particularly suitable for healthcare establishments (hospitals, clinics, nursing homes, laboratories, waiting rooms, etc.) and more generally for areas subject to hygiene restrictions (industrial, shared and restaurant kitchens, waste, etc.).

This product offer an additional way of ensuring the non-proliferation of bacteria, fungi and viruses without interfering with cleaning protocols. The mechanism can be flush-mounted or surface-mounted.

2. RANGE

	Description	References
Composable	Adaptor with opaque lid (supplied with static lid protection film)	Grey/White 0 695 80
	Adaptor with opaque lid lockable with special tool (supplied with static lid protection film)	Grey/White 0 695 79
	Adaptor without lid	Grey/White 0 695 82

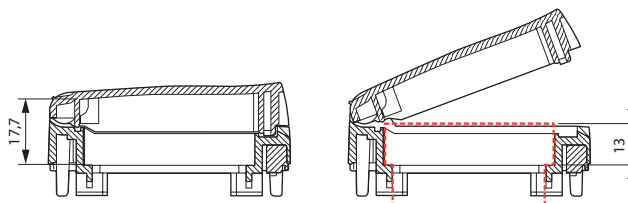
	+		Grey 0 696 51	White 0 696 89	=	
	+		0 696 81	0 696 92	=	

3. MOSAIC MECHANISMS

■ 3.1 Adaptateur sans volet 0 695 82

All 2 module Mosaic mechanisms are compatible with the . 0 695 82.

■ 3.2 Adaptor without lid 0 695 79/80



Only compatible with Mosaic products with front, and not rear, mounted centre plate.

Compatible with all mechanisms where the height under the lid is 17.7 mm on the hinge side and 13 mm on the lid opening side.

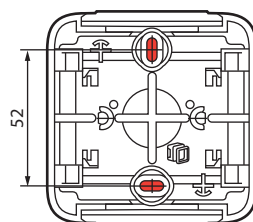
■ 3.2 Références des fonctions Mosaic compatibles

Voir e.catalogue

4. INSTALLATION

■ 3.1 Surface mounting

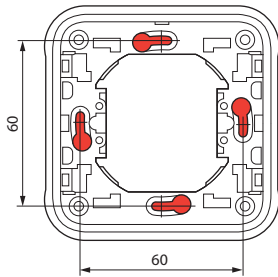
- by screwing back box onto support using Ø 3 mm à Ø 4 mm max. screws.



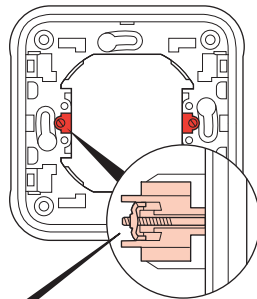
4. PREPARATION (cont.)

■ **4.2 Flush mounting**

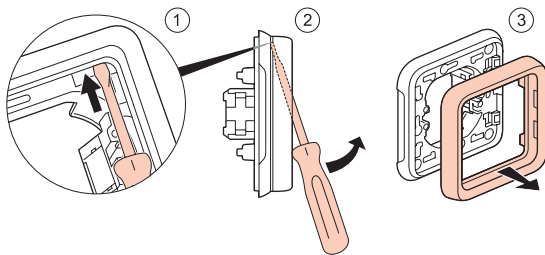
- With screws on flush box



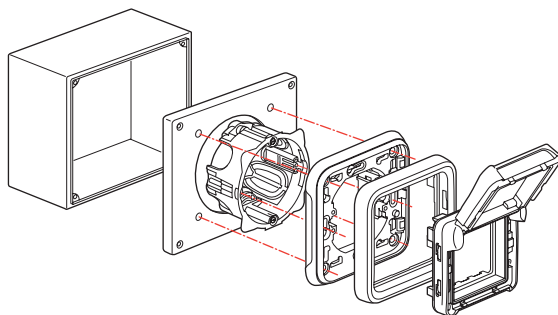
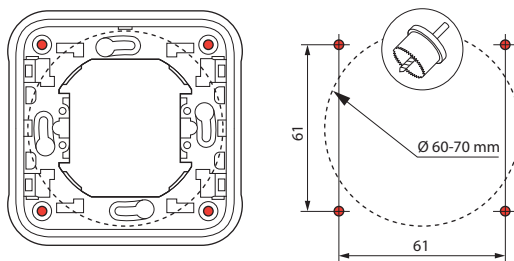
- With claws on flush box



Claws can be added:
Cat. No. 0 849 00 or Cat. No. 0 849 01 (long claws)

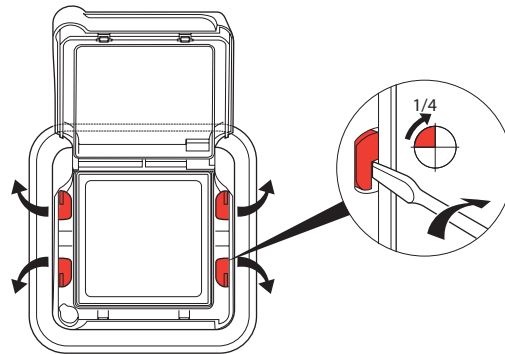


- On solid faceplate (without accessories) using 4 Ø 4 mm screws on metal or plastic cabinets.
Drill support material (diameter 60-70 mm) using circular saw or hole punch.



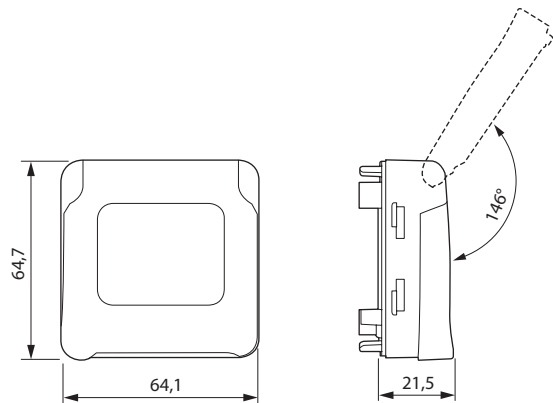
4. PREPARATION (cont.)

IP 55 sealing of the front part (cover) on the box is ensured by rotating four 1/4 turn fixing.

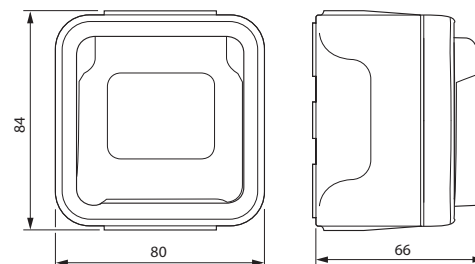


5. DIMENSIONS (mm)

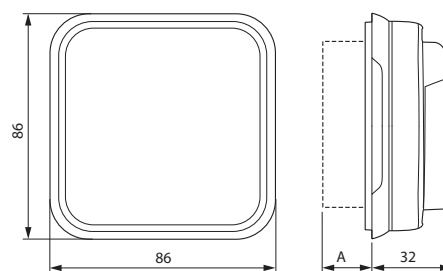
■ **Composable**



■ **Surface mounting**



■ **Flush mounting**



A: Variable depending on depth of Mosaic product

6. TECHNICAL CHARACTERISTICS

■ 6.1 Protection class

Protection against solid/bodies and liquids:

Cat. No. 0 695 79/80 - 0 707 25: **IP 55**

Cat. No. 0 695 82: **IP 20**

Cat. No. 0 695 81: **IP 44**

Protection against impacts: **IK 07**

■ 6.2 Material characteristics

Box, support: PP (filled Polypropylene)

Plate, rocker: ABS

Entry gland, cover plate: PP + SEBS

Transparent lid: PC

Antimicrobial* product:

Cover plate: PP + SEBS + antimicrobial* treatment

UV resistant

Resistant to salt spray: 7 days (168 h)

Self-extinguishing:

850°C / 30 s for insulating components holding in place live parts.

650°C / 30 s for the other insulating components.

■ 6.3 Climatic characteristics

Storage temperature: - 25° C to +70° C

Use temperature: - 25° C to + 40° C

7. CLEANING

Surface cleaning with dry cloth or cloth dipped in soapy water.

Do not use acetone, tar remover or trichloroethylene.

■ 7.1 Resistance to cleaning agents

Resistance to the following agents: Hexane (EN 60669-1), methylated spirits, soapy water, diluted ammonia, pure bleach diluted 10%, glass cleaning substance, pre-impregnated wipe.

■ 7.2 Resistance to hospital-type cleaning agents

Resistance to the following agents: Anios, Surfanios, Bactylsine, Diluted hydrogen peroxide (35%).

Caution: A preliminary test should be carried out if other specific cleaning products are to be used.

8. CONFORMITY AND APPROVALS

Compliance with standards of installation and manufacturing.

See e.catalogue.

* Contains a silver compound to antagonize the growth of bacteria on the surface.