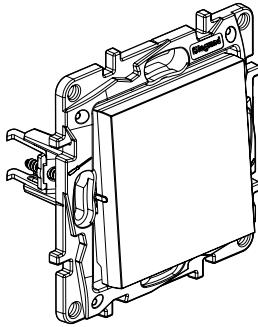
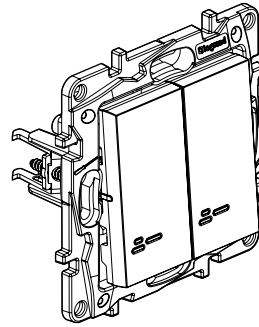


Niloé™ Step Lighting controls 10 AX

Cat. No(s): 8 631 01/05/06/07/08/11/15/16/18 - 8 633 01/05/06/07/08/11/15/16/18
 8 634 01/05/06/07/08/11/15/16/18 - 8 635 01/05/06/07/08/11/15/16/18



8 63X 01/06/07



8 631 15/18

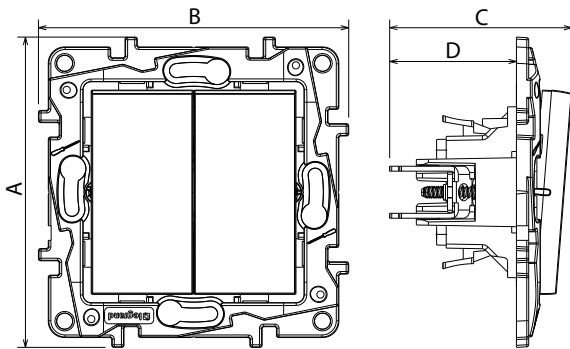
1. USE

Lighting controls mechanisms 10 AX - 250 V~.
 Mechanisms supplied with protection cover.
 To be equipped with plates one or several gangs.
 Flush-mounting or surface-mounting.
 Screw or claw fixing.

2. RANGE

Description	White	Aluminium	Grey	Black
One-gang one-way switch	8 631 01	8 633 01	8 634 01	8 635 01
Illuminated one-gang one-way switch	8 631 11	8 633 11	8 634 11	8 635 11
Two-gang one-way switch	8 631 05	8 633 05	8 634 05	8 635 05
Illuminated two-gang one-way switch	8 631 15	8 633 15	8 634 15	8 635 15
One-gang two-way switch	8 631 06	8 633 06	8 634 06	8 635 06
Illuminated one-gang two-way switch	8 631 16	8 633 16	8 634 16	8 635 16
Two-gang two-way switch	8 631 08	8 633 08	8 634 08	8 635 08
Illuminated two-gang two-way switch	8 631 18	8 633 18	8 634 18	8 635 18
Intermediate switch	8 631 07	8 633 07	8 634 07	8 635 07

3. DIMENSIONS (mm)



A	B	C	D
75.8	75.8	44.5	31

4. CONNECTION

Type of terminals: automatic
 For Cat. no : 8 63X 07 : Screw terminals
 Capacity: 2 x 2.5 mm²
 Flexible or rigid cables compatible

References	Stripping length (mm)
8 63X 01/05/06/08	13
8 63X 11/15/16/18	
8 63X 07	10

5. TECHNICAL CHARACTERISTICS

■ 5.1 Mechanical characteristics

Protection against solid bodies and liquids: IP 20
 Protection against impact: IK 04

■ 5.2 Material characteristics

Material : - Mechanism housing: PC
 - Rocker plate: ABS
 - Halogen free
 - UV resistant
 - Claws: steel

Material of the support: - PC + FV
 - Halogen free

Self-extinguishing:

- + 850° C / 30 s for insulating parts holding live parts in place
- + 650° C / 30 s for other parts made of insulating materials

■ 5.3 Electrical characteristics

Voltage: 250 V~
 Current: 10 AX
 Frequency: 50/60 Hz
 Maximum power on integrated ballast lamps: 100 W

■ 5.4 Climatic characteristics

Storage and use temperature: - 5° C to + 35° C

6. MAINTENANCE

Surface cleaning with a cloth.
 Do not use: acetone, tar remover, trichloroethylene.

Maintenance with the following products: Hexane (EN 60669-1), Methylated spirit, Soapy water, Diluted ammonia, Bleach diluted to 10%, Window-cleaning products.

Caution: A preliminary test should be carried out if other specific cleaning products are to be used.

7. STANDARDS AND APPROVALS

Compliance with standards of installation and manufacturing.
 Refer to e. catalogue.