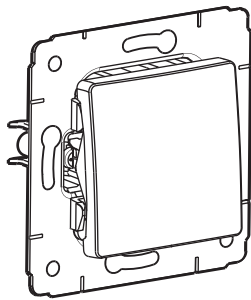
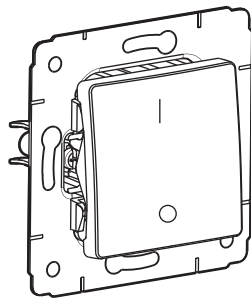


Cariva™ Switches

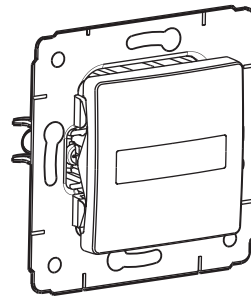
Cat. Nos: 7 736 00/01/02/04/05/06/07/08/09/10/11/12/13/14/26/56/57/58
 7 737 00/01/02/04/05/06/07/08/09/10/11/12/13/14/26/56/57/58
 7 738 00/01/02/04/05/06/07/08/09/10/11/12/13/14/26
 7 739 00/01/02/04/05/06/07/08/09/10/11/12/13/14/26



7 736 01



7 736 02



7 737 12

CONTENTS

Pages

1. Use	1
2. Range	1
3. Dimensions.	1-2
4. Positioning	2
5. Connection.	2-3-4
6. Technical characteristics	4
7. Cleaning	4
8. Accessories.	4-5
9. Standards and approvals	5

1. USE

Switch mechanisms with or without indicator. Supplied with rocker plate or cover plate. To be fitted with finishing plates. Fixed using screws or claws

2. RANGE

SWITCHES - 16 AX - 250 V~

	Description	Type reference	White	Ivory	Weight
	1-way switch	1E	7 736 00	7 737 00	61 g

SWITCHES - 10 AX - 250 V~

	1-way switch	1	7 736 01 7 736 56	7 737 07 7 737 56	58 g
	2-way switch	6	7 736 06 7 736 57	7 737 06 7 737 57	60 g
	Intermediate switch	7	7 736 07	7 737 07	62 g
	1-way - IP44	1 IP44	7 736 09	7 737 09	59 g
	2-gang 1-way switch	5	7 736 05 7 736 58	7 737 05 7 737 58	62 g
	2-gang 2-way switch	6/2	7 736 08	7 737 08	66 g
	Double-pole switch	2	7 736 02	7 737 02	61 g
	1-way switch with indicator (230 V ~ lamp)	1T	7 736 10	7 737 10	60 g
	Illuminated 2-way switch (230 V ~ lamp)	6L	7 736 26	7 737 26	61 g

PUSH-BUTTONS - 10 A - 250 V~

	Push-button	1P	7 736 11	7 737 11	58 g
	Illuminated push-button (230 V ~ lamp)	1PL	7 736 13	7 737 13	59 g
	Illuminated push-button with label-holder (12 V ~ lamp)	1PLE	7 736 12	7 737 12	58 g

2. RANGE (continued)

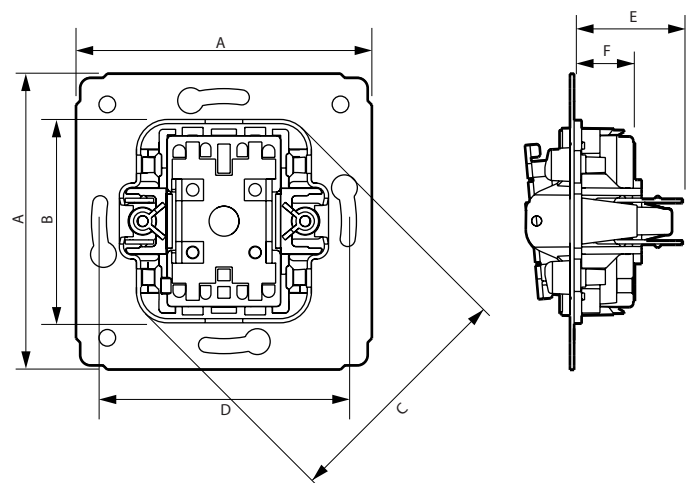
ROLLER SHUTTER CONTROLS 10 A / 10 AX - 250 V~

	Description	Type reference	White	Ivory	Weight
	Roller blind control switch - 10 AX	1 + 6	7 736 04	7 737 04	78 g
	Roller blind control push-button - 10 A	1 + 6P	7 736 14	7 737 14	79 g

VERSIONS

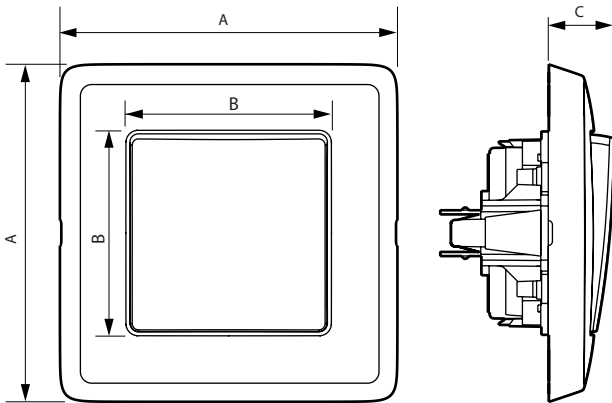
Modular		7 736 xx	7 737 xx	
Complete Supplied with 1-gang plate		7 738 xx	7 739 xx	

3. DIMENSIONS (mm)



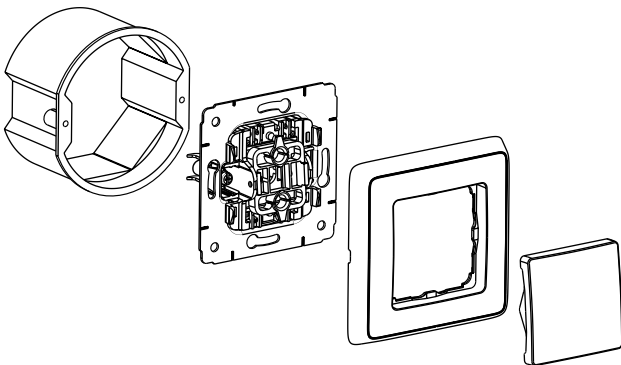
A	B	C	D	E	F
71,0	48,8	58,3	60,0	26,1	14,6

3. DIMENSIONS (continued)



A	B	C
81,0	48,4	15,5

4. POSITIONING

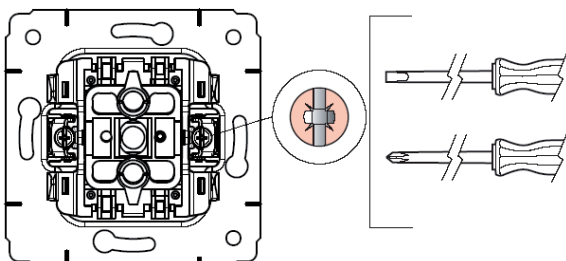


Cariva switch mechanisms are mounted in commercially-available flush-mounting boxes. For surface mounting installation, the appropriate surface mounting boxes must be used (7 736 98 and 7 737 98).

4.1 Screws

All Cariva switch mechanisms are equipped with long pitch screws. To ensure quick, safe mounting, the mechanisms have been equipped with mixed head screws (Pozidriv + slot for flat screwdriver).

Size of tools to be used on Cariva mechanisms with screws with mixed head and 3 mm diameter: PZ1 head or flat screwdriver 0,8 x 4.



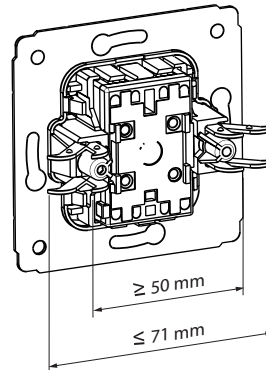
To avoid any risk of damaging the screws by overtightening, take note of the maximum tightening torque in standard EN/IEC 60669-1.

When using electric screwdrivers, it is advisable to preset the tightening torque to 0,5/0,6 Nm.

4. POSITIONING (continued)

4.2 Fixing claws

When open, the claws extend dimensions from 50 to 71 mm.



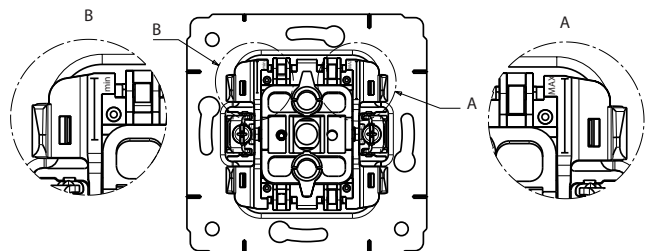
5. CONNECTION

5.1 Connection terminals

All the switch and push-button mechanisms are equipped with automatic (screwless) terminals, for copper conductors, compliant with standard EN/IEC 60669-1. The stripped length required should be between 10 mm and 12 mm for all mechanisms.

Note: Cat. Nos. 7 73x 04/08/14 are equipped with two types of terminal (screw/automatic).

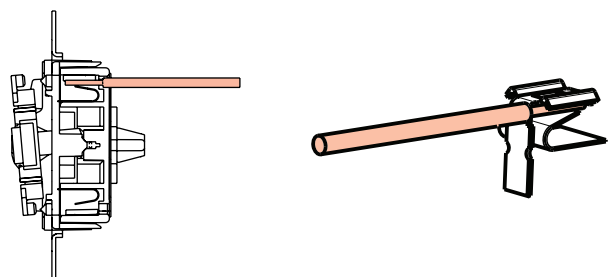
A gauge marking on the front makes it easy to see the max. and min. stripped lengths.



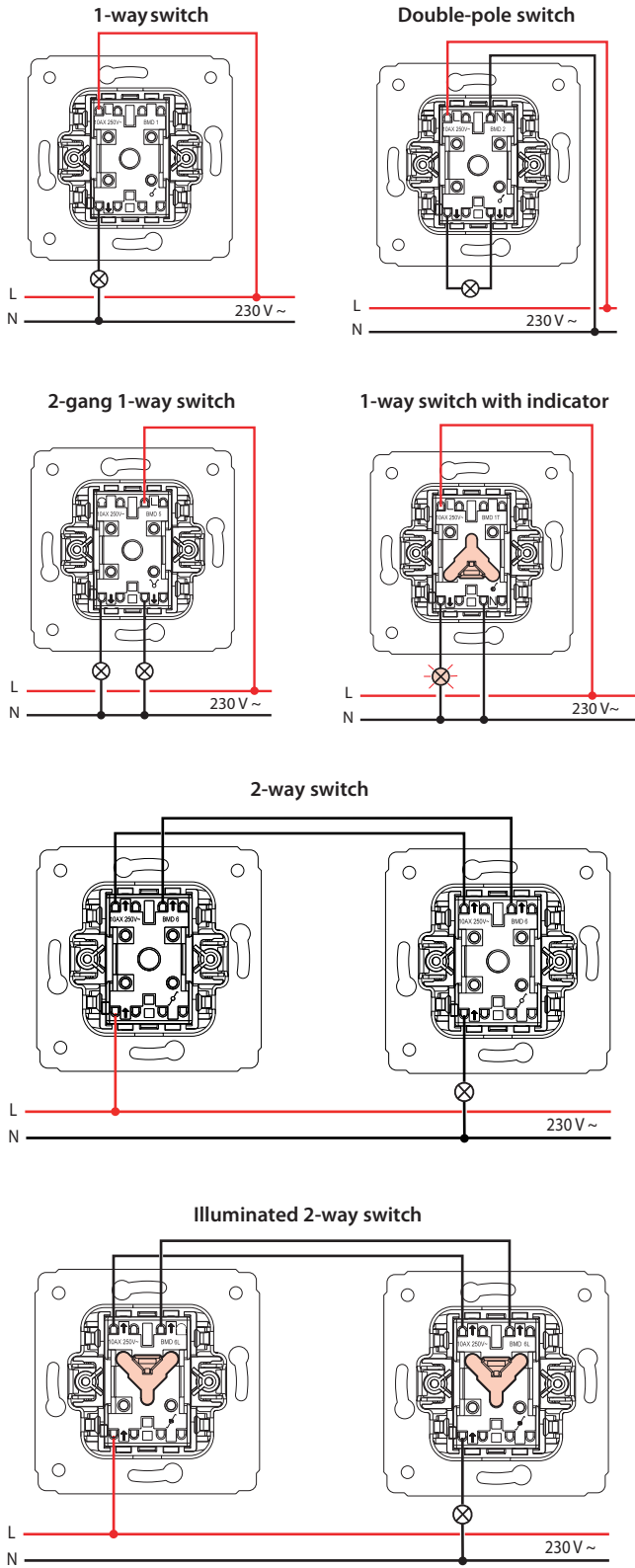
The double-blade connection spring is made up of 2 symmetrical parts, ensuring safe, simultaneous connection of two conductors with different diameters (between 1 mm² and 2,5 mm², except for catalogue numbers 7 73x 04/08/14 which are restricted to 1,5 mm²).

The terminals are also suitable for flexible wires (stranded cable) without needing any special preparation of the wires. Simply twist the strands by hand (no crimped terminations are needed). The flexible wire shall be inserted into the terminal by pressing its disconnecting button.

A safety stop ensures electrical separation between the operating device and the cable entry during the insertion of wires.

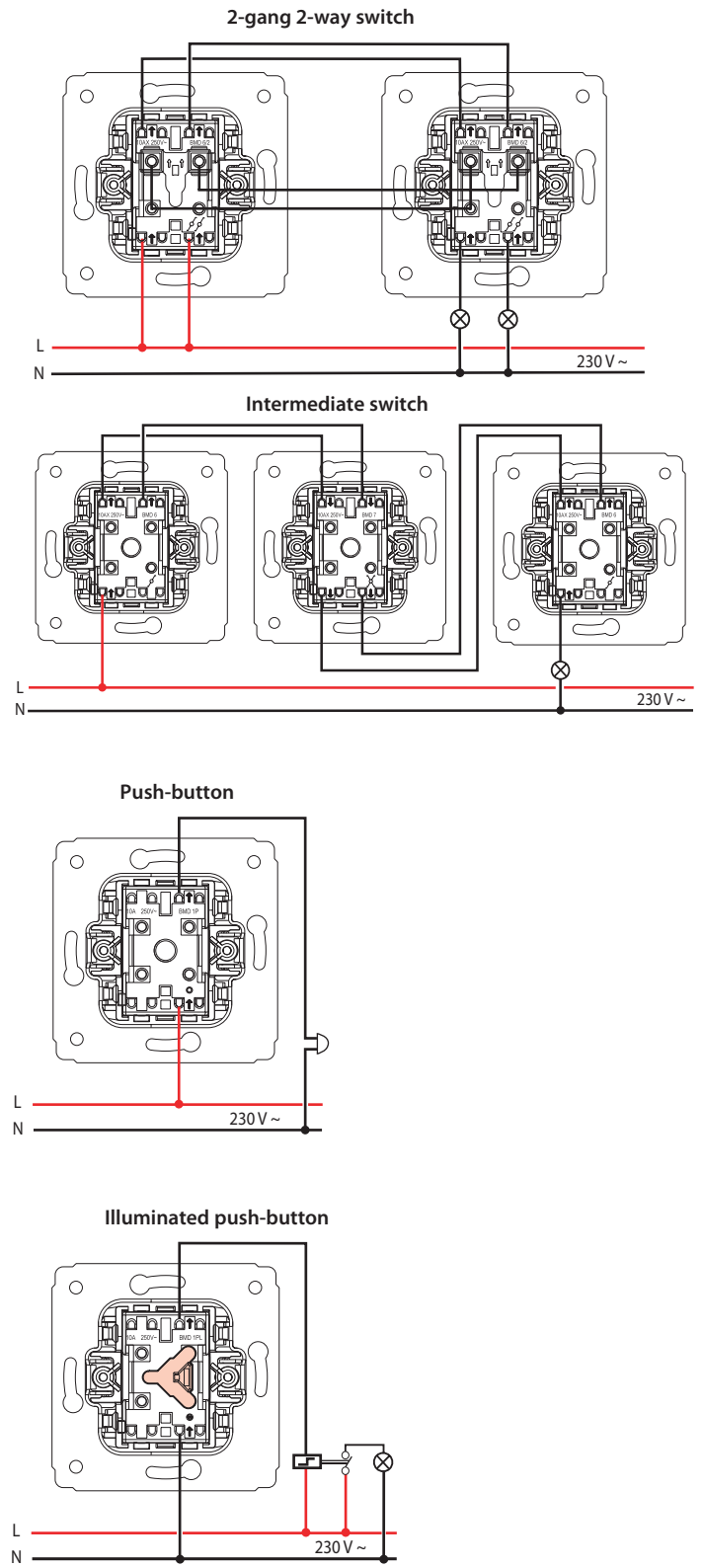


■ 5.2 Wiring diagrams (continued)



5. CONNECTION (continued)

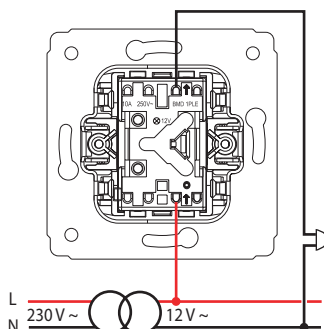
■ 5.2 Wiring diagrams (continued)



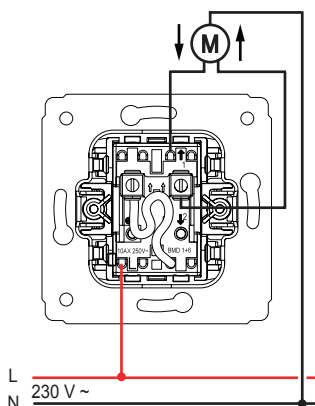
5. CONNECTION (continued)

■ 5.2 Wiring diagrams (continued)

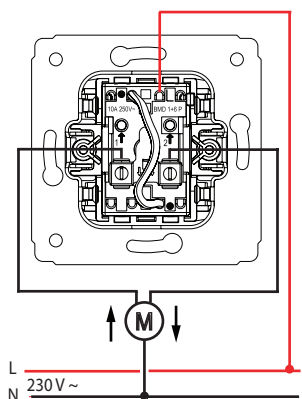
Illuminated push-button with label-holder



Roller blind control switch



Roller blind control push-button



6. TECHNICAL CHARACTERISTICS

■ 6.1 Degree of protection

Protection against solid objects and liquids: IP 20 (complete mechanism), unless otherwise specified
Impact protection: IK 04 (0.5 J)

■ 6.2 Material characteristics

Plates and rocker plates: Acrylonitrile butadiene styrene (ABS)

Colours: White RAL 9003 and Ivory RAL 1013

Mechanisms:

Frame	Zinc-plated steel
Cover	Polycarbonate (PC)
Base	UF resin
Rocker holder	Polycarbonate (PC)
Claws	Zinc-plated steel
Screws	Zinc-plated steel
Automatic terminals	CuZn 36/X12 CrNi 177
Contacts	AgNi (cadmium-free)
Lamp-holder	Polyamide (PA6)

Self-extinguishing:

+ 850 °C / 30 s for insulating parts holding live parts in place
+ 650 °C / 30 s for the other insulation material components

■ 6.3 Climatic characteristics

Usage temperature: - 5 °C to + 40 °C

Storage temperature: - 25 °C to + 40 °C

■ 6.4 Marking

Frame	Stamped markings
Base / rocker plate	Pad printing

7. CLEANING

Clean the surface with a cloth.

Do not use: acetone, tar-removing cleaning agents or trichloroethylene.

Warning: Always test before using other special cleaning products.

8. ACCESSORIES

■ 8.1 Lamps

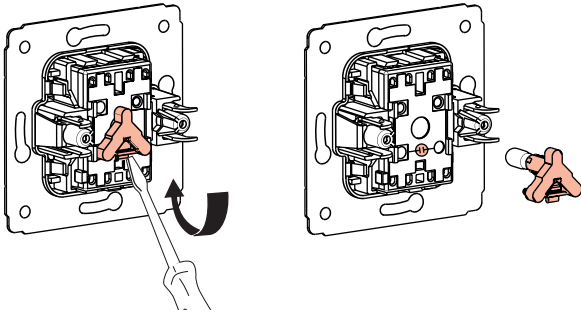
Illuminated/indicator functions are supplied with a neon orange lamp for 230 V~.

Illuminated push-button with label-holder functions are supplied with an incandescent white lamp for 12 V~.




Mechanism	Lamps			
	Voltage	Current	Colour Lamp-holder	Replacement
7 73x 10	230 V~	1 mA	Red	0 712 98
7 73x 12	12 V~	35 mA	Ivory	to order
7 73x 13	230 V~	1 mA	Red	0 712 98
7 73x 26	230 V~	1 mA	Red	0 712 98

8. ACCESSORIES (continued)

Lamp replacement



■ **8.2 Rocker plates with pictogram**

Description	Cat. No.	Pictogram
Rocker plate with pictogram (doorbell)	7 736 29 7 737 29	
Rocker plate with pictogram (lamp)	7 736 30 7 737 30	
Rocker plate with pictogram (stairs)	7 736 31 7 737 31	

9. STANDARDS AND APPROVALS

Compliant with installation and manufacturing standards.
See e-catalogue.