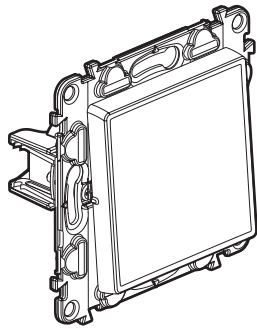
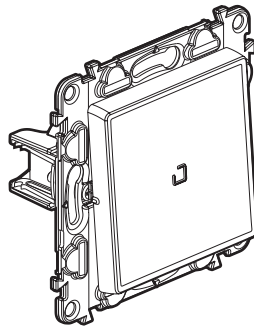


Valena™ Life - Valena™ INMATIC Lighting controls 10 AX

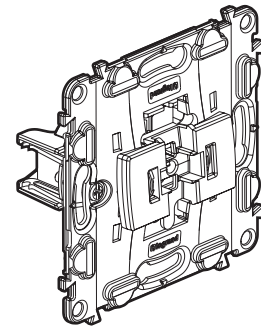
Cat. No(s): 7 520 01/03/05/06/07/08/10/23 - 7 521 01/03/04/05/06/07/08/09/10/21/22/23/26/28/48
7 522 01/03/04/05/06/07/08/09/10/21/22/23/26/28/48 - 7 523 01/03/04/05/06/07/08/09/10/21/22/23/26/28/48



7 521 06



7 521 10



7 520 01

1. USE

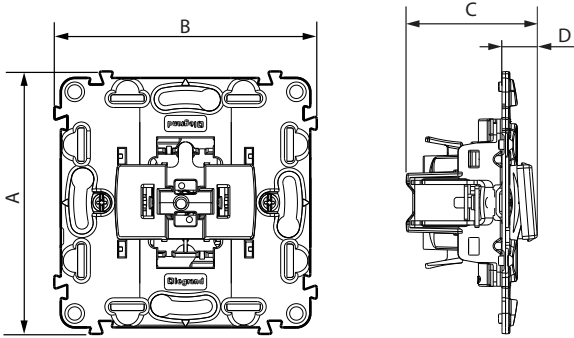
Lighting controls mechanisms 10 AX - 250 V~.
Mechanisms supplied with protection cover.
To be equipped with plates one or several gangs.
Flush-mounting or surface-mounting.
Screw or claw fixing.

2. RANGE

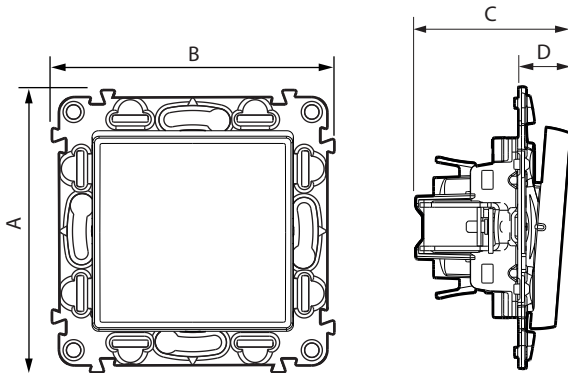
Description	Mechanism + Cover plate				Mechanism only
	White	Ivory	Aluminium	Black	
One-way switch	7 521 01	7 522 01	7 523 01	7 563 01	7 520 01
Two-way switch	7 521 06	7 522 06	7 523 06	7 563 16	7 520 06
Two-way switch with neutral terminal	-	-	-	-	7 520 10
Intermediate switch	7 521 07	7 522 07	7 523 07	7 563 17	7 520 07
Illuminated one-way switch with indicator Cat. No 0 676 84	7 521 10	7 522 10	7 523 10	-	-
One-way switch with indicator Cat. No 6 650 91	7 521 04	7 522 04	7 523 04	-	-
Illuminated two-way switch with indicator Cat. No 0 676 84	7 521 26	7 522 26	7 523 26	7 563 26	-
Intermediate switch with indicator Cat. No 6 650 90	7 521 48	7 522 48	7 523 48	-	7 520 07
Two-gang one-way switch	7 521 05	7 522 05	7 523 05	7 563 05	7 520 05
Two-gang two-way switch	7 521 08	7 522 08	7 523 08	7 563 08	7 520 08
Illuminated two-gang one-way switch with indicator Cat. No 0 676 84	7 521 28	7 522 28	7 523 28	-	7 520 05
Illuminated two-gang two-way switch with indicator Cat. No 0 676 86	7 521 09	7 522 09	7 523 09	7 563 19	7 520 08
Two-gang multifunctional switch	7 521 21	7 522 21	7 523 22	-	-
Two-gang illuminated multifunctional switch with indicator Cat. No 0 676 86	7 521 22	7 522 22	7 523 22	-	-
Pull-cord two-way switch	7 521 23	7 522 23	7 523 23	-	7 520 23
Three-gang one-way switch	7 521 03	7 522 03	7 523 03	-	7 520 03

3. DIMENSIONS (mm)

Cat. No 7 520 01



Cat. No 7 521 01



Cat. Nos.	A	B	C	D
7 521 01/03/04/05/06/08/09/10/26/28/48 7 522 01/03/04/05/06/08/09/10/26/28/48 7 523 01/03/04/05/06/08/09/10/26/28/48 7 563 01/05/08/16/17/19/26	75	75	41.5	14
7 520 01/03/05/06/08/10	75	75	37.5	10
7 521 23 - 7 522 23 - 7 523 23	75	75	52	24.5
7 520 23	75	75	37	7

4. CONNECTION

Type of terminals: automatic
Capacity: 2 x 2.5 mm²
Stripping length: 13 mm
Flexible or rigid cables compatible

5. TECHNICAL CHARACTERISTICS

■ 5.1 Mechanical characteristics

Protection against solid bodies and liquids: IP 20
Protection against impact: IK 04

■ 5.2 Material characteristics

Polygloss appearance
Colour: - White RAL 9003
- Ivory RAL 1013
- Aluminium
Material: - Rocker: ABS
- Base: PC
- Halogen-free
- UV-resistant

Material of the support: - Polycarbonate grey RAL 7037 + Metal
- Halogen-free

Self-extinguishing:
850°C/30 s for insulating components holding live parts in place
650°C/30 s for other insulating components

■ 5.3 Electrical characteristics

Voltage: 250 V~
Current: 10 AX
Max. power for self-ballasted lamps: 100 W
Frequency: 50/60 Hz

■ 5.4 Climate characteristics

Usage temperature: - 5°C to + 35°C
Storage temperature: - 10°C to + 70°C

6. MAINTENANCE

Surface cleaning with a cloth.

Do not use: acetone, tar remover, trichloroethylene.

Maintenance with the following products: Hexane (EN 60669-1), Methylated spirit, Soapy water, Diluted ammonia, Bleach diluted to 10%, Window-cleaning products.

Caution: Always test before using other special cleaning products.

7. STANDARDS AND APPROVALS

Compliant with installation and manufacturing standards
Refer to e. catalogue.