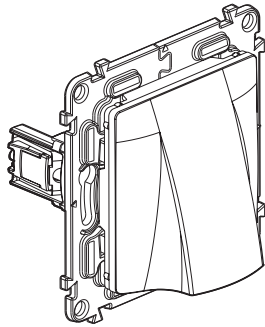
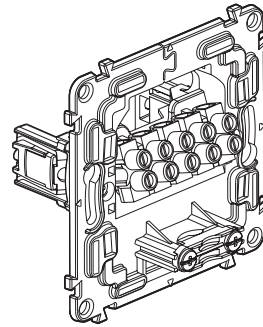


Valena™ Life - Valena™ INMATIC
Cable outlets

Cat. No.(s): 7 531 33/34 - 7 532 33/34 - 7 533 33/34
7 530 33/34 - 7 563 44



7 531 33/34 - 7 532 33/34 - 7 533 33/34



7 530 33

1. USE

Cable outlets.
 Mechanisms supplied with:
 - Support frames
 - Site protection cover
 To be equipped with plates.
 One-gang installation, flush-mounting or surface-mounting.

2. RANGE

Cable outlets with terminals - Equipped with cable grips
Maximum diameter of the cable: 12 mm - With claws

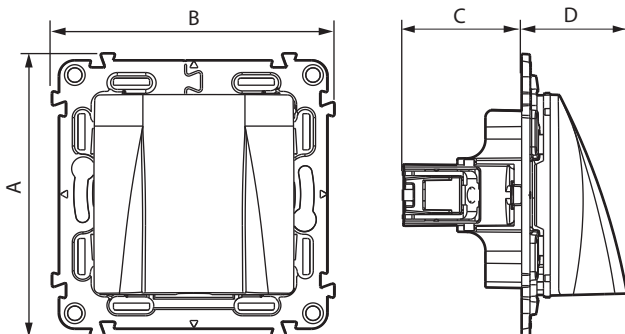
White	Ivory	Aluminium	Black	Without cover plate
7 531 33	7 532 33	7 533 33	-	7 530 33

Cable outlets without terminals - Equipped with cable grips
Maximum diameter of the cable: 12 mm - With claws

White	Ivory	Aluminium	Black	Without cover plate
7 531 34	7 532 34	7 533 34	7 563 44	7 530 34

3. OVERALL DIMENSIONS (mm) (continued)

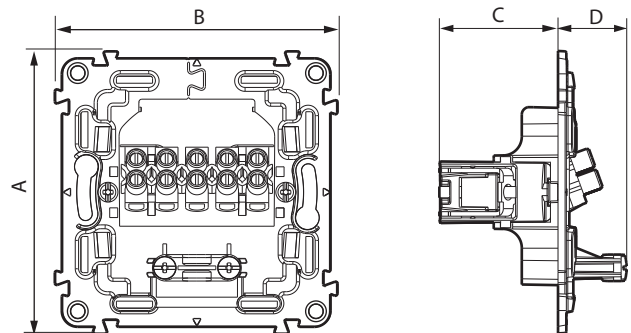
Cat. No . 7 531 33



References	A	B	C	D
7 531 33/34 - 7 532 33/34 7 533 33/34 - 7 563 44	75	75	31.5	29

3. OVERALL DIMENSIONS (mm) (continued)

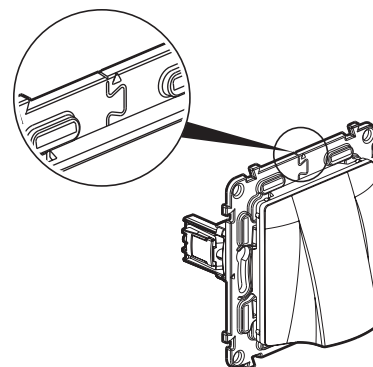
Cat. No . 7 530 33



References	A	B	C	D
7 530 33/34	75	75	31.5	18.5

4. INSTALLATION

Open the support frame for the wires .



4. CONNECTION

Type of terminals: with screws
 Capacity: 5 x 1.5 mm² - 3 x 2.5 mm²
 Stripping length: 5 mm
 Compatible flexible or rigid cables.

5. TECHNICAL CHARACTERISTICS

■ 5.1 Mechanical characteristics

Protection against solid bodies and liquids: IP 21
Protection against impact: IK 04

■ 5.2 Material characteristics

Polygloss appearance

Colour: - White RAL 9003
- Ivory RAL 1013
- Aluminium
- Black

Material: - Cover plates: ABS
- Halogen-free
- UV-resistant

Material of the support: - Polycarbonate grey RAL 7037
- Halogen-free

Self-extinguishing:

850°C/30 s for insulating components holding live parts in place
650°C/30 s for other insulating components.

■ 5.3 Electrical characteristics

Voltage: 250 V~

Current: 16 A

Frequency: 50/60 Hz

■ 5.4 Climate characteristics

Usage temperature: - 10°C to + 35°C

Storage temperature: - 10°C to + 70°C

6. MAINTENANCE

Surface cleaning with a cloth.

Do not use: acetone, tar remover, trichloroethylene.

Maintenance with the following products: Hexane (EN 60669-1),
Methylated spirit, Soapy water, Diluted ammonia, Bleach diluted to 10%,
Window-cleaning products, Pre-impregnated-wipes.

Caution: Always test before using other special cleaning products.

7. STANDARDS AND APPROVALS

Compliant with installation and manufacturing standards.
See e. catalogue.