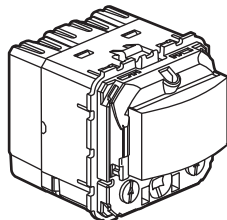


## Automatic switch - 3-wire

Cat. No(s): 0 488 97L - 0 670 25 - 0 784 50  
 7 520 73 - 7 521 73 - 7 522 73 - 7 523 73 - 7 563 73



0 670 25

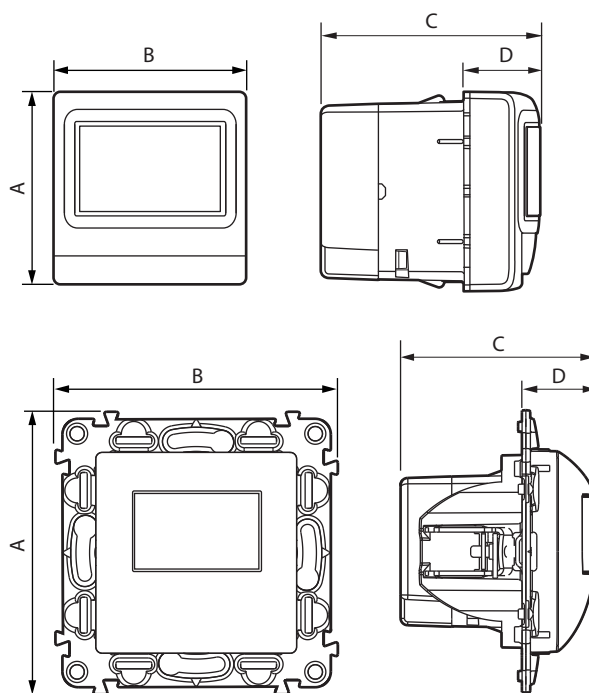
### 1. USE

Automatic switches with neutral, with infrared detection.  
 Switches automatically on in case of movement detection and low natural light level.  
 Installation in box depth 50 mm recommended (40 mm minimum).  
 To be equipped with plate.  
 Flush mounting.

### 2. RANGE

	Description	Colour	Reference
	Automatic switch Céliane - 400 W 3-wire without setting Installation in box depth 40 mm min.	-	0 670 25
	Automatic switch Mosaic - 400 W 3-wire without setting Installation in box depth 40 mm min.	White	0 784 50
	Automatic switch Mosaic - 400 W Ready to install (delivered complete) 3-wire without setting	White	0 488 97L
	Automatic switch Valena INMATIC - 400 W 3-wire without setting Supplied with support frame Fixing with screws or claws	-	7 520 73
	Automatic switch Valena - 400 W 3-wire without setting Supplied with support frame and cover plate Fixing with screws or claws	White	7 521 73
		Ivory	7 522 73
		Aluminium	7 523 73
		Black	7 563 73

### 3. OVERALL DIMENSIONS (mm)



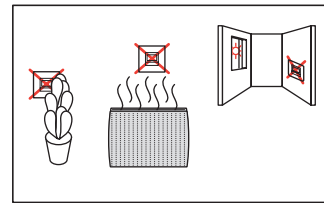
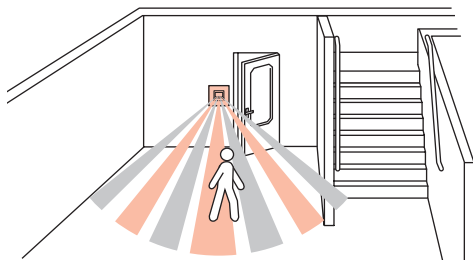
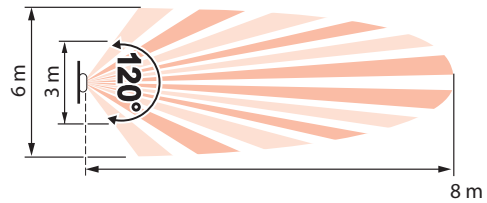
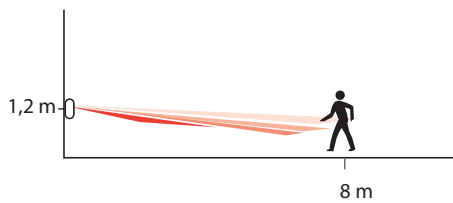
References	A	B	C	D
0 670 25	45	45	51.5	16.5
0 784 50	45	45	50	16,5
0 488 97L	82	82	55.5	-
7 520 73 - 7 521 73 - 7 522 73 - 7 523 73 7 563 73	75	75	51.5	19.5

### 4. CONNECTION

3 terminals  
 Type of terminal: with screws  
 Capacity: 2 x 2.5 mm<sup>2</sup>  
 Stripping length: 8 mm  
 Screwdriver: flat 4 mm  
 Flexible or rigid cables compatible

5. OPERATION

■ Detection: 120°



6. TECHNICAL CHARACTERISTICS

■ 6.1 Mechanical characteristics

Protection against solid bodies and liquids: IP 40 (assembled product) - IP 20 (alone)  
Protection against impact: IK 04

■ 6.2 Material characteristics

Colour: - White RAL 9003  
- Ivory RAL 1013  
Material: - Front cover ABS  
- Halogen-free  
- UV-resistant

Self-extinguishing: 850°C/30 s for insulating components holding live parts in place  
650°C/30 s for other insulating components

■ 6.3 Electrical characteristics

Voltage: 100 - 240 V~  
Frequency: 50-60 Hz  
Standby consumption: 0.035 W  
Power:

	1	2	3	4	5	6	7	8	9
230 V~	400 W   1.8 A	200 VA   0.8 A	200 VA   0.8 A	200 VA   0.8 A	50 W   0.8 A	150 VA   0.6 A	150 VA   0.6 A	150 VA   0.6 A	50 W   0.2 A

- 1 - Halogen lamp
- 2 - ELV halogen lamp, fluocompact lamp with separate ferromagnetic ballast
- 3 - ELV halogen lamp, fluocompact lamp with separate electronic ballast
- 4 - LED with separate electronic ballast
- 5 - Fluocompact lamp with integrated electronic ballast

- 6 - Fluorescent tube with integrated ferromagnetic ballast
- 7 - Fluorescent tube with separate ferromagnetic ballast
- 8 - Fluorescent tube with separate electronic ballast
- 9 - LED technology lamp with integrated electronic ballast

**Important:** Take account of transformer losses when calculating power. Transformers must be loaded at more than 60 % of their power.

**Note:** Possibility to mix any type of load on the same circuit.

■ 6.4 Climate characteristics

Usage temperature: - 5°C to + 35°C  
Storage temperature: - 10°C to + 70°C

## 7. CLEANING

Surface cleaning with a cloth.

Do not use: acetone, tar remover, trichloroethylene.

Maintenance with the following products: Hexane (EN 60669-1), Methylated spirit, Soapy water, Diluted ammonia, Bleach diluted to 10%, Window-cleaning products.

**Caution:** Always test before using other special cleaning products.

## 8. STANDARDS AND APPROVALS

Compliant with installation and manufacturing standards.

See e. catalogue.