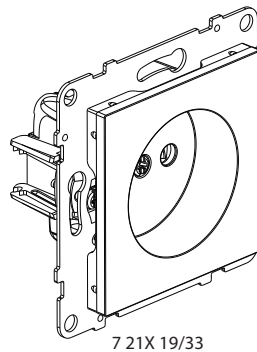


**Suno™**  
**Socket outlets - without earthing contact 16A**

**Cat. No(s): 7 21X 19, 7 21X 33**



7 21X 19/33

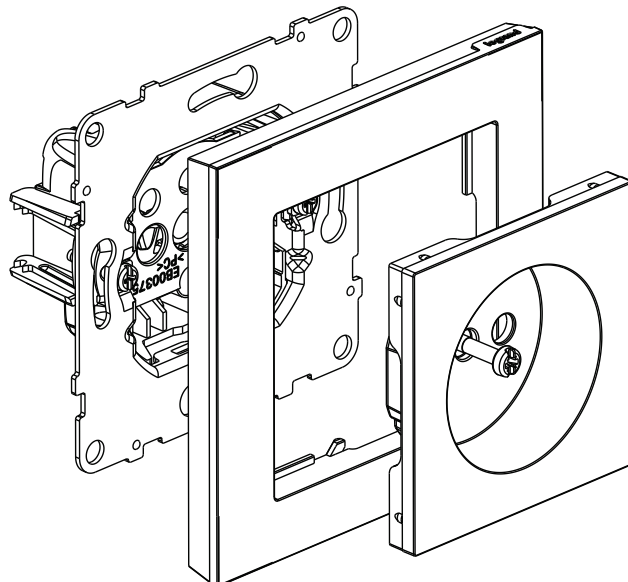
**1. USE**

Socket outlets with or without shutters.  
 Flush-mounting.  
 Screw and/or claw fixing.

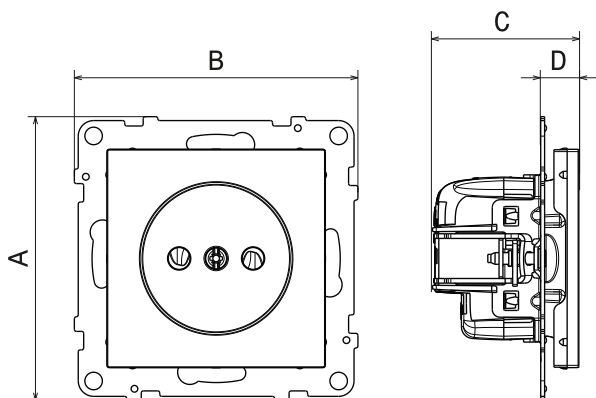
**2. RANGE**

<b>SOCKET OUTLETS WITHOUT SHUTTERS:</b>	<b>White</b>	<b>Ivory</b>	<b>Aluminum</b>	<b>Black</b>
2P sockets screw terminal	7 211 33	7 212 33	7 213 33	7 214 33
<b>SOCKET OUTLETS WITH SHUTTERS:</b>	<b>White</b>	<b>Ivory</b>	<b>Aluminum</b>	<b>Black</b>
2P sockets screw terminal	7 211 19	-	7 213 19	7 214 19

**3. DISMANTLING**



### 3. DIMENSIONS (mm)



References	A	B	C	D
7 21X 19/33	72,9	72,9	37,6	9,8

### 5. CONNECTION

Flexible or rigid cables compatible.

#### TYPE OF TERMINALS:

Screw terminal Tightening torque: 0,8 Nm	7 21X 19	7 21X 33
--	----------	----------

Terminal capacity:  
6 X 2.5mm<sup>2</sup>

Stripping length:  
10mm

Screwdriver:  
Posidrive 1, flat 4mm

### 6. TECHNICAL CHARACTERISTICS

#### ■ 6.1 Mechanical characteristics

Protection against solid bodies and liquids:

IP20	7 21X 19	7 21X 33
------	----------	----------

Protection against impact: IK04

#### ■ 6.2 Material characteristics

Polygloss appearance

Colour molded:

- White RAL 9003
- Ivory RAL 1013

Matt colour painted:

- Aluminum RAL 9023
- Black RAL 9017

Material:

- Plate ABS
- Socket covers: Polycarbonate
- Halogen-free
- UV resistant

Self-extinguishing:

850°C/30 s for installing components holding live parts in place

650°C/30 s for other insulating components

#### ■ 6.3 Electrical characteristics

Voltage: 250 V~

Current: 16 A

Frequency: 50/60 Hz

#### ■ 6.4 Climatic characteristics

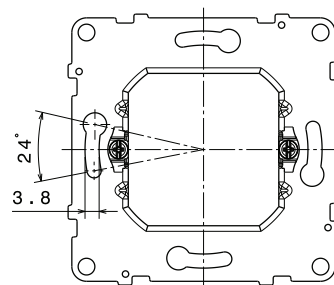
Usage temperature: -5°C to +35°C

Storage temperature: -10°C to +70°C

#### ■ 6.5 Support

Material of support: -Metal

Angular adjusting:

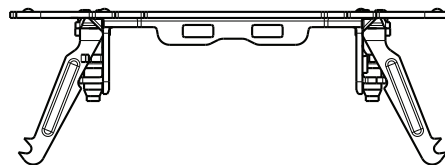


#### ■ 6.6 Fixing with claws

Number of turns to open the claws:

- 58 mm > 2,1 turns

- 65 mm > 2,75 turns



#### ■ 6.7 Cover fixing

Fixing with screw maximum 1 Nm tightening

### 7. MAINTENANCE

Surface cleaning with a cloth.

Do not use:

Acetone, tar remover, trichloroethylene.

Maintenance with the following products:

Hexane (EN 60669-1), Methylated spirit, Soapy water, Diluted ammonia, Bleach diluted to 10%, Window-cleaning products.

**Caution:** Always test before using other special cleaning products.

### 8. STANDARDS AND APPROVALS

Compliant with installation and manufacturing standards.

Refer to e-catalogue.