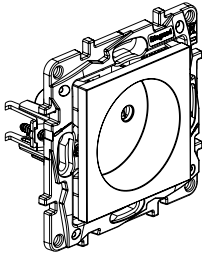
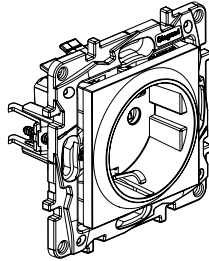
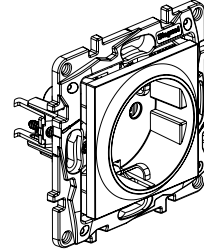


Niloé™ Step
Socket outlets - German StandardCat. No(s): 8 631 19/20/21 - 8 633 19/20/21
8 634 19/20/21 - 8 635 19/20/21

8 63X 19



8 63X 20



8 63X 21

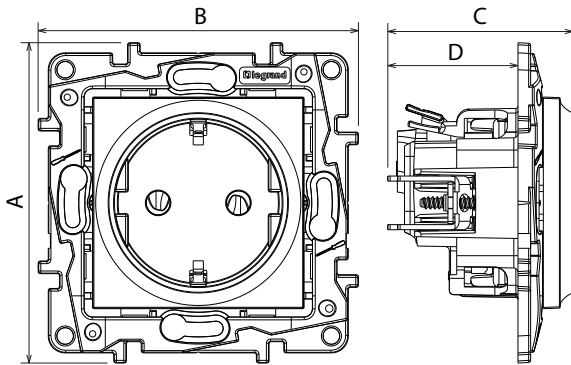
1. USE

Socket outlets with or without shutters.
Mechanisms supplied with protection cover.
To be equipped with plates one or several gangs.
Flush-mounting or surface-mounting.
Screw or claw fixing.

2. RANGE

Description	White	Aluminium	Grey	Black
2 P socket	8 631 19	8 633 19	8 634 19	8 635 19
2 P+E socket automatic terminal	8 631 20	8 633 20	8 634 20	8 635 20
2 P+E socket screw terminal	8 631 21	8 633 21	8 634 21	8 635 21

3. DIMENSIONS (mm)



References	A	B	C	D
8 63X 19	75.8	75.8	40.8	30.8
8 63X 20			43.8	
8 63X 21				

4. CONNECTION

References	Type of terminals	Stripping length (mm)
8 63X 19/21	Screw	9
8 63X 20	Automatic	12

Capacity: 2 x 2.5 mm²
 Flexible or rigid cables compatible

5. TECHNICAL CHARACTERISTICS

■ 5.1 Mechanical characteristics

Protection against solid bodies and liquids: IP 20
 Protection against impact: IK 04

■ 5.2 Material characteristics

Material : - Mechanism housing: PC

- Halogen free

- UV resistant

- Claws: steel

Material of the support: - PC

- Halogen free

Self-extinguishing:

+ 850° C / 30 s for insulating parts holding live parts in place

+ 650° C / 30 s for other parts made of insulating materials

■ 5.3 Electrical characteristics

Voltage: 250 V~

Current: 16 A

Frequency: 50/60 Hz

■ 5.4 Climatic characteristics

Storage and use temperature: - 5° C to + 35° C

6. MAINTENANCE

Surface cleaning with a cloth.

Do not use: acetone, tar remover, trichloroethylene.

Maintenance with the following products: Hexane (EN 60669-1), Methylated spirit, Soapy water, Diluted ammonia, Bleach diluted to 10%, Window-cleaning products.

Caution: A preliminary test should be carried out if other specific cleaning products are to be used.

7. STANDARDS AND APPROVALS

Compliance with standards of installation and manufacturing.
 Refer to e. catalogue.