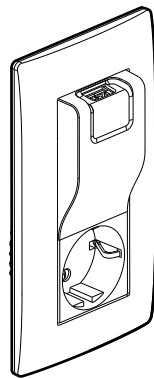
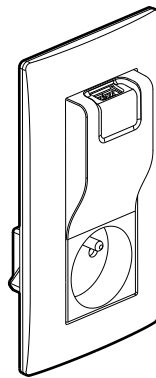


**Niloé™**  
**2 P+E / single USB mixed socket outlet**

Cat. No(s): 7 645 28 - 7 646 28 - 7 645 30 - 7 646 30



7 645 30



7 645 28

**1. USE**

2 P+E socket + USB power supplies, Franco-Belgian and German standards.  
 USB power supplies: for recharging portable devices such as phones, smartphones, tablets, MP3, MP4, loudspeakers, games consoles, power-banks.  
 Mechanisms supplied with support frames and cover plates, with claws.

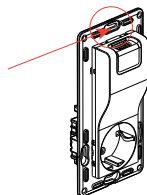
**2. RANGE**

Description	White	Ivory
Mixed socket with shutters composed of: - 2 P+E socket - 16 A - 250 V~ - single USB socket - 5 V - 1000 mA German standard	7 645 30	7 646 30
Mixed socket with shutters composed of: - 2 P+E socket - 16 A - 250 V~ - single USB socket - 5 V - 1000 mA Franco-Belgian standard	7 645 28	7 646 28

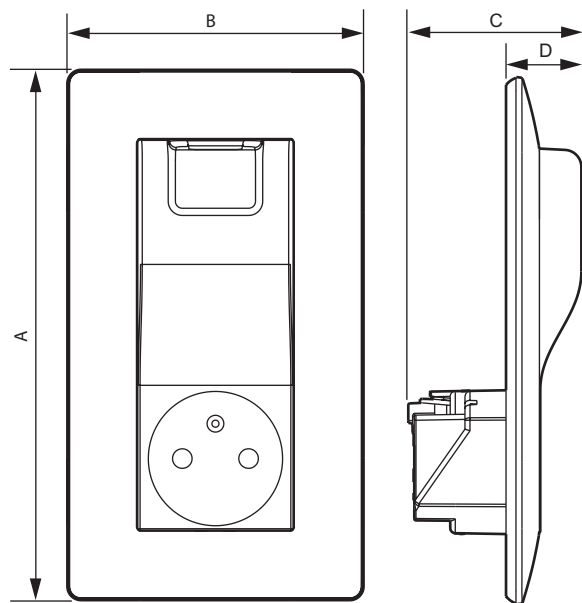
**3. MOUNTING**

To be installed in 1-gang flushing box.

Addition of a screw required to secure fixing of the mechanism.



**4. DIMENSIONS (mm)**



Cat. Nos	A	B	C	D
7 645 30 - 7 646 30	157	86	53	22
7 645 28 - 7 646 28	157	86	51	22

**5. CONNECTION**

- **5.1 2 P+E:**  
 Terminal type: automatic  
 Terminal capacity: 2 x 2.5 mm<sup>2</sup>  
 Stripping length: 12 mm  
 Flexible or rigid cables compatible
- **5.2 USB:**  
 Prewired socket

**2 P+E / single USB mixed socket outlet****6. TECHNICAL CHARACTERISTICS****■ 6.1 Mechanical characteristics**

Protection against impact: IK 04

Protection against solid bodies and liquids: IP 40

**■ 6.2 Material characteristics**

Polyglass appearance

Colour: White RAL 9003 - Ivory RAL 1013

Material: - Plate ABS

- Cover plate: PC

- Halogen free

- UV resistant

Material of the support: - PC grey RAL 7037

- Halogen free

Self-extinguishing:

+ 850° C / 30 s for insulating parts holding live parts in place

+ 650° C / 30 s for other parts made of insulating materials.

**■ 6.3 Electrical characteristics 2 P+E sockets**

Voltage: 250 V~

Current: 16 A

Frequency: 50/60 Hz

**■ 6.4 Electrical characteristics USB power supplies**

All values listed below are measured at an ambient temperature of + 25° and after 15 minutes of operation.

Nominal input voltage	220 - 240 V~
Nominal input frequency	50-60 Hz
Nominal input current	150 mA
Stand-by power consumption at $U_m$	0.1 W
Nominal output voltage	5 V=
Nominal output current	1000 mA
Efficiency can meet energy star level "V" (≥ 66% measured at USB socket output side)	
Safety-standard	EN60950-1
Protection class	II - Low voltage

**Note:** Suitable for replacing a socket with cable 3 or 6 wires. Can be used freely in the outlet circuit.**■ 6.5 Climatic characteristics**

Storage temperature: - 20° C to + 70° C

Operating temperature: 0° C to + 45° C

**6. CLEANING**

Surface cleaning with a cloth.

Do not use: acetone, tar remover, trichlorethylene.

**Caution:** A preliminary test should be carried out if other specific cleaning products are to be used.

**7. STANDARDS AND APPROVALS**

IEC 60950-1: low voltage directive.

IEC 62684 / EN 50558 conform to the interoperability specifications of common external power supply (EPS) for use with mobile telephones.

Conform to eco design directive 2009/125/EC.