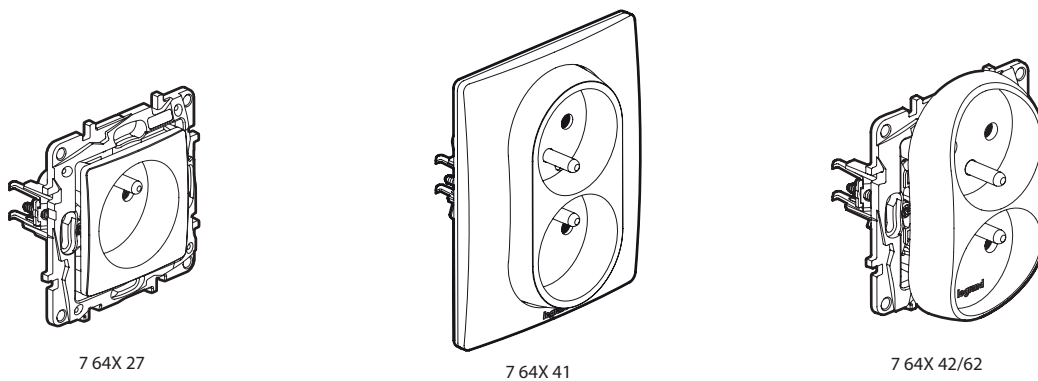


# Niloé™ Socket outlets - Franco-Belgian standard

Cat. No(s): 7 645 27/38/40/41/42/62- 7 646 27/38/40/41/42/62  
 7 647 27/38/41



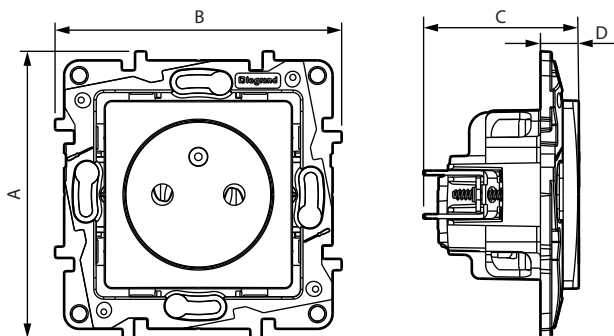
## 1. USE

Socket outlets with or without shutters.  
 Flush-mounting or surface-mounting.  
 Fixing with screws and/or with claws.

## 2. RANGE

Socket outlets with shutters	White	Ivory	Brown
2 P+E socket Supplied with cover plate and support frame To be equipped with plate	7 645 27	7 646 27	7 647 27
2 P socket outlet Supplied with cover plate and support frame To be equipped with plate	7 645 38	7 646 38	7 647 38
2 x 2 P+E compact socket outlet Installation in 1-gang flush-mounting box Supplied complete with plate Allows you to replace 1 socket with 2 sockets without changing the flush-mounting box	7 645 41	7 646 41	7 647 41
2 x 2 P+E socket outlet 1-gang Supplied with cover plate and support frame To be equipped with plate	7 645 42	7 646 42	-
Socket outlets without shutters	White	Ivory	-
2 P+E socket outlets Supplied with cover plate and support frame To be equipped with plate	7 645 40	7 646 40	-
2 x 2 P+E socket outlet 1-gang Supplied with cover plate and support frame To be equipped with plate	7 645 62	7 646 62	-

## 3. DIMENSIONS (mm)



## 3. DIMENSIONS (mm) (continued)

References	A	B	C	D
7 645 27/38/40 - 7 646 27/38/40 - 7 647 27/38	76	76	41	10
7 645 41 - 7 646 41 - 7 647 41	104	86	48.5	19.5
7 645 42/62 - 7 646 42/62	86	76	57	26

## 4. CONNECTION

Type of terminals: with screws  
 Terminal capacity: 2 x 2.5 mm<sup>2</sup>  
 Stripping length: - 9 mm for 2 P and 2 P+E socket outlets  
 - 13 mm for double socket outlets 7 64X 41  
 - 10 mm for double socket outlets 7 64X 42/62  
 Screwdriver: Posidrive 1, Philips 1, flat 4 mm.

## 5. TECHNICAL CHARACTERISTICS

- **5.1 Mechanical characteristics**  
 Protection against solid bodies and liquids: IP 31  
 Protection against impact: IK 04
- **5.2 Material characteristics**  
 Polyglass appearance  
 Colour: - White RAL 9003  
 - Ivory RAL 1013  
 - Brown RAL 8017  
 Material: - Plate ABS  
 - Socket cover plate: PC  
 - Halogen free  
 - UV resistant  
 Material of the support: - PC grey RAL 7037 + 10 % glass fiber  
 - Halogen free
- Self-extinguishing:
  - 850° C / 30 s for insulating parts holding live parts in place
  - 650° C / 30 s for other parts made of insulating materials.
- **5.3 Electrical characteristics**  
 Voltage: 250 V~  
 Current: 16 A  
 Frequency: 50/60 Hz
- **5.4 Climatic characteristics**  
 Storage temperature: - 10° C to + 70° C  
 Use temperature: - 5° C to + 35° C

## Socket outlets - Franco-Belgian standard

### 6. MAINTENANCE

Surface cleaning with a cloth.

Do not use: acetone, tar remover, trichloroethylene.

Maintenance with the following products: Hexane (EN 60669-1), Methylated spirit, Soapy water, Diluted ammonia, Bleach diluted to 10%, Window-cleaning products.

**Caution:** A preliminary test should be carried out if other specific cleaning products are to be used.

### 7. STANDARDS AND APPROVALS

Compliance with standards of installation and manufacturing.

Refer to e. catalogue.