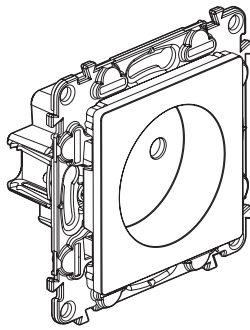
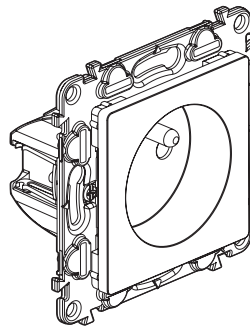


Valena™ Life - Valena™ INMATIC Socket outlets - Franco-Belgian standard

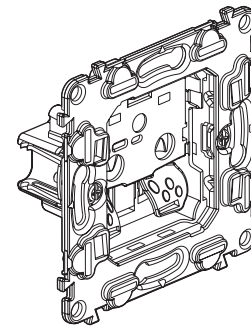
Cat. No.(s): 7 531 16/80/81/82/83/84/85/88/89/91
7 532 16/80/81/82/83/84/85/88/89 - 7 533 16/80/81/82/83/84/85/88/89
7 530 16/80/81/84/85/88 - 7 563 80



7 531 16



7 531 88



7 530 16

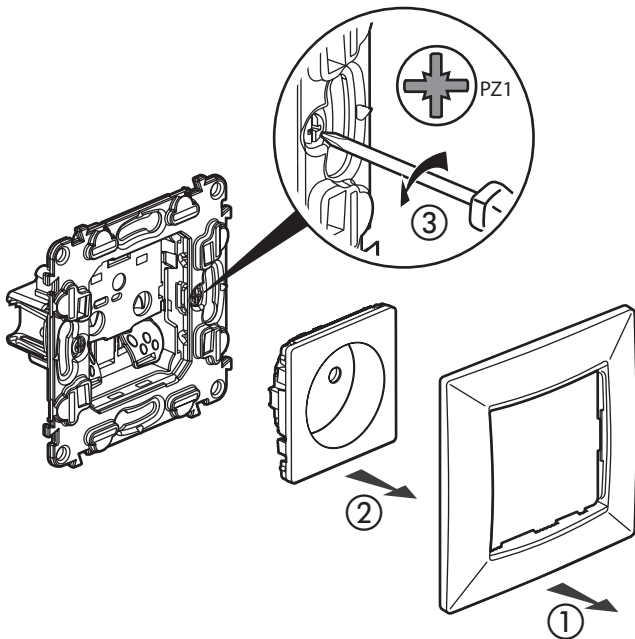
1. USE

16 A - 250 V~ socket outlets with shutters.
Mechanisms supplied with protection cover.
To be equipped with plates.
Flush-mounting or surface-mounting.
Screw or claw fixing.

2. RANGE

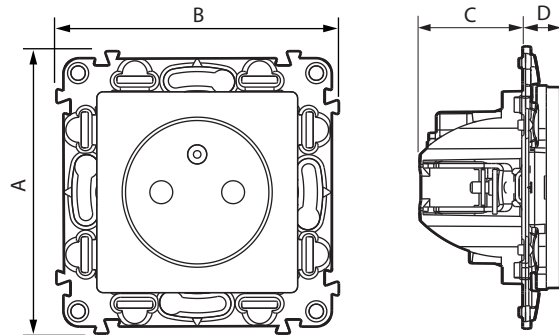
Description	Mechanism + Cover plate				Mechanism only
	White	Ivory	Aluminium	Black	
2 P socket	7 531 16	7 532 16	7 533 16	-	7 530 16
2 P+E socket	7 531 80	7 532 80	7 533 80	7 563 80	7 530 80
2 P+E socket without shutters	7 531 81	7 532 81	7 533 81	-	7 530 81
2 x 2 P+E prewired socket Supplied with multimaterial box Batibox	7 531 82	7 532 82	7 533 82	-	-
3 x 2 P+E prewired socket Supplied with multimaterial box Batibox	7 531 83	7 532 83	7 533 83	-	-
2 P+E socket	7 531 84	7 532 84	7 533 84	-	7 530 84
2 P+E socket without shutters	7 531 85	7 532 85	7 533 85	-	7 530 85
2 P+E socket high capacity - Special transplanting Allows connection up 3 wires in 2.5 mm ²	7 531 88	7 532 88	7 533 88	-	7 530 88
2 P+E socket (colour)	7 531 89 with red cover plate	7 532 89 with orange cover plate	7 533 89 with green cover plate	-	-
2 P+E socket - Tamperproof	7 531 91 with red cover plate	-	-	-	-

3. DISMANTLING



4. OVERALL DIMENSIONS (mm) (continued)

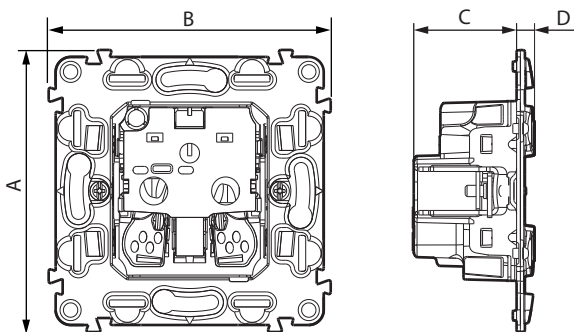
Cat. No: 7 531 88



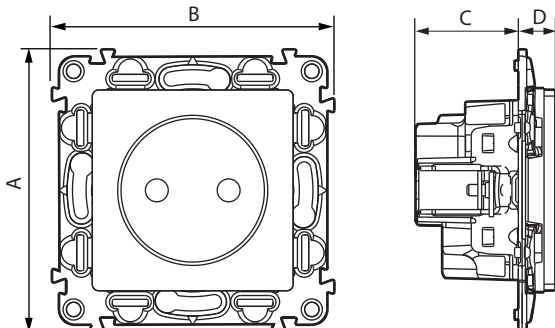
References	A	B	C	D
7 530 16	75	75	27.5	5
7 530 80/81	75	75	27.5	10
7 530 84/85	75	75	27.5	10
7 530 88	75	75	27.5	9.5
7 531 16 - 7 532 16 - 7 533 16	75	75	27.5	10
7 531 80/81/84/89 - 7 532 80/81/84/89 7 533 80/81/84/89 - 7 563 80	75	75	29	11
7 531 82 - 7 532 82 - 7 533 82	146	71	33.5	10
7 531 83 - 7 532 83 - 7 533 83	217	71	33.5	10
7 531 85 - 7 532 85 - 7 533 85	75	75	29	11
7 531 88 - 7 532 88 - 7 533 88	75	75	29	10
7 531 91	75	75	27.5	10

4. OVERALL DIMENSIONS (mm)

Cat. No: 7 530 16



Cat. No: 7 531 16



5. CONNECTION

• Cat. Nos.: 7 530 16/80/81 - 7 531 16/80/81/82/83/89
7 532 16/80/81/82/83/89 - 7 533 16/80/81/82/83/89 - 7 563 80

Automatic terminals

Capacity: 2 x 2.5 mm²

Stripping length: 13 mm

Flexible or rigid cables compatible

• Cat. Nos.: 7 530 84/85/88 - 7 531 84/85/88/91
7 532 84/85/88 - 7 533 84/85/88

Screw terminals

- For Ref. 7 530 88 - 7 531 88 - 7 532 88 - 7 533 88

Capacity: 1 x 6 mm² - 2 x 4 mm² - 3 x 2.5 mm²

- For other Ref.

Capacity: 2 x 2.5 mm²

Tightening torque: 0.8 Nm

Stripping length: 13 mm

Screwdriver: Posidrive 1, Philips 1, flat 4 mm

Flexible or rigid cables compatible

6. TECHNICAL CHARACTERISTICS

■ 6.1 Mechanical characteristics

Protection against solid bodies and liquids: IP 20
Protection against impact: IK 04

■ 6.2 Material characteristics

Polygloss appearance

Colour: - White RAL 9003
- Ivory RAL 1013
- Aluminium

Material: - Plate ABS
- Socket cover plate: Polycarbonate
- Halogen-free
- UV-resistant

Self-extinguishing:
850°C/30 s for insulating components holding live parts in place
650°C/30 s for other insulating components.

■ 6.3 Electrical characteristics

Voltage: 250 V~
Current: 16 A
Frequency: 50/60 Hz

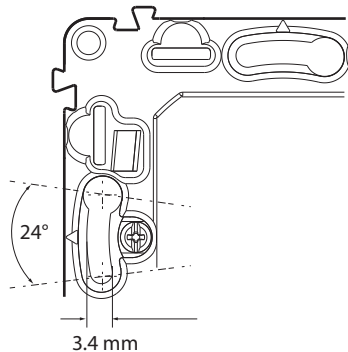
■ 6.4 Climate characteristics

Usage temperature: - 5°C to + 35°C
Storage temperature: - 10°C to + 70°C

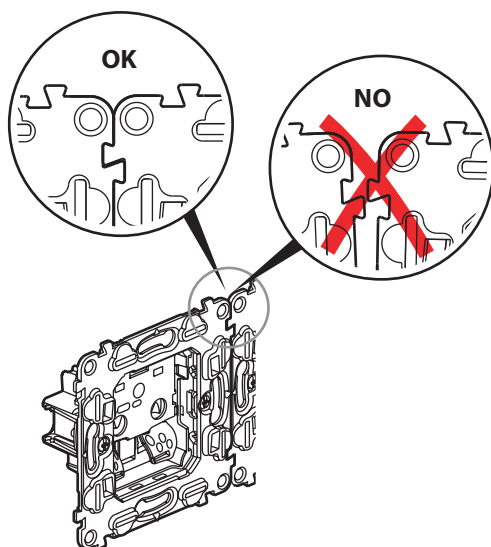
■ 6.5 Support

Material of the support: - Polycarbonate grey RAL 7037 + Metal
- Halogen-free

Angular adjusting:



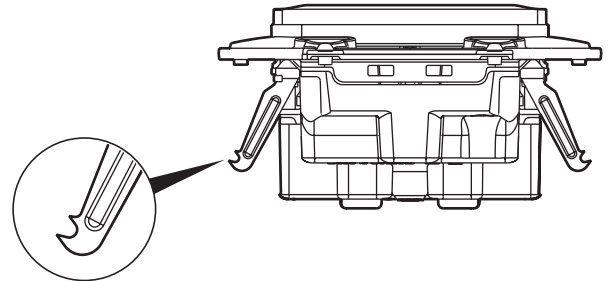
Locking support:



6. TECHNICAL CHARACTERISTICS (continued)

■ 6.6 Fixing with claws

Number of turns to open the claws:
- 58 mm > 2.1 turns
- 65 mm > 2.75 turns



Performance of double teeth claws: extraction resistance: 200-226 N

7. MAINTENANCE

Surface cleaning with a cloth.

Do not use: acetone, tar remover, trichloroethylene.

Maintenance with the following products: Hexane (EN 60669-1), Methylated spirit, Soapy water, Diluted ammonia, Bleach diluted to 10%, Window-cleaning products, Pre-impregnated-wipes.

Caution: Always test before using other special cleaning products.

8. STANDARDS AND APPROVALS

Compliant with installation and manufacturing standards.
See e. catalogue.