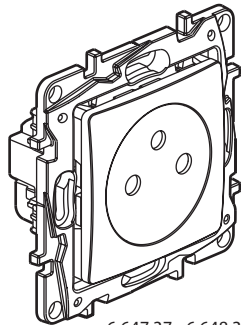
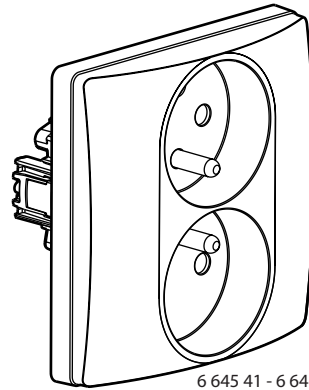


Niloé™ Socket outlets

Cat. No.(s): 6 643 35 - 6 645 41 - 6 646 41
 6 647 28/34/35/37/45 - 6 648 34/35/37/45



6 647 37 - 6 648 37



6 645 41 - 6 646 41

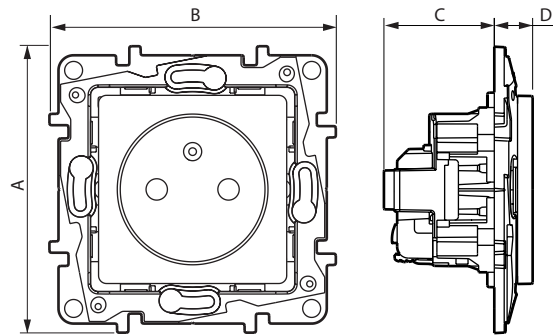
1. USE

Franco-belgian standard 16 A - 250 VAC socket outlets with shutters.
 Mechanisms supplied with cover plates and supports.
 Mechanisms to be fitted with finishing plates.
 Flush-mounting or surface-mounting.
 Screw or screw and claw mounting with claw (Cat. No. 6 650 99).
 Supplied with protection cover.

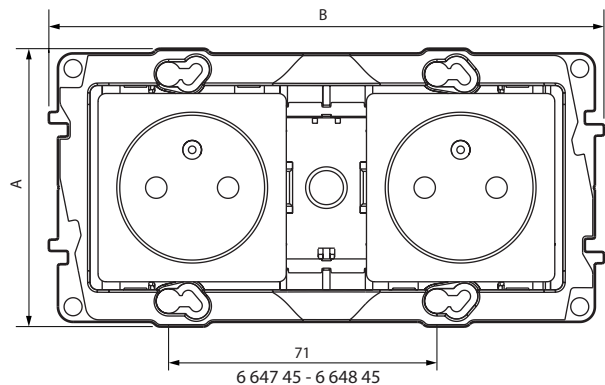
2. RANGE

	Description	White	Ivory
	2 P+E socket	6 643 35	-
		6 647 35	6 648 35
	2 P+E socket spécial renovation, compact Compatible with the depth boxes 30 mm.	6 647 28	-
	2 P+E socket, flat	6 647 37	6 648 37
	Prises doubles 2 P+T précâblées 2 postes	6 647 45	6 648 45
	2 x 2 P+E compact. Installation in 1 gang flush-mounting box. Supplied complete with plate. Permet de remplacer 1 socket by 2 sockets without changing mounting boxe.	6 645 41	6 646 41
	2 P socket	6 647 34	6 648 34

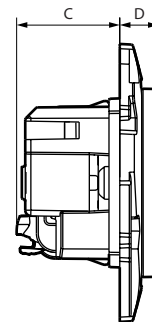
3. OVERALL DIMENSIONS



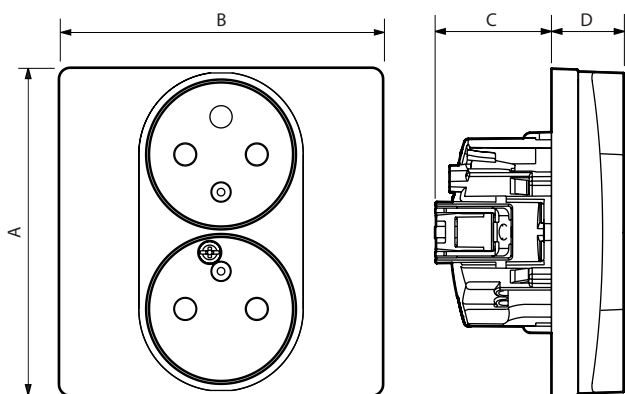
6 647 37 - 6 648 37



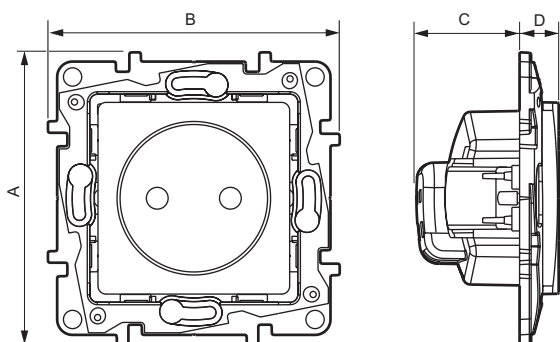
6 647 45 - 6 648 45



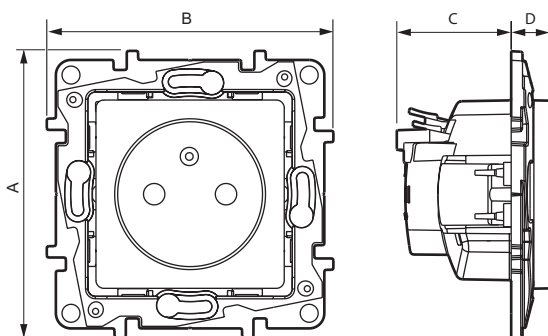
3. OVERALL DIMENSIONS (continued)



6 645 41 - 6 646 41



6 647 34 - 6 648 34



6 643 35 - 6 647 35 - 6 648 35

Cat. Nos	A	B	C	D
6 647 37 - 6 648 37	76	76	28.2	10
6 647 45 - 6 648 45	73.5	147	27.5	10.5
6 645 41 - 6 646 41	87	86	31	19
6 647 34 - 6 648 34	76	76	27	10
6 643 35 - 6 647 35 - 6 648 35	76	76	30	10

4. CONNECTION

Cat. Nos 6 643 35 - 6 645 41- 6 646 41 - 6 647 35/37/45 - 6 648 35/37/45

Automatic terminals
Terminal capacity: 2 x 2.5 mm²
Stripping length: 13 mm

Cat. Nos 6 647 28/34 - 6 648 34

Screw terminals
Terminal capacity: 2 x 2.5 mm²
Tightening torque: 0.8 Nm
Stripping length: 13 mm
Screwdriver: Posidrive 1, Phillips 1.4 mm flat screwdriver.

5. TECHNICAL CHARACTERISTICS

■ 5.1 Index of protection

Protection against solid bodies and liquids: IP 31
Protection against impact: IK 04

■ 5.2 Material characteristics

Poly gloss appearance
Colour: White (RAL 903) and Ivory (RAL 113)
Material: - Plate ABS (Cat. Nos 6 645 41 - 6 646 41)
- Socket cover plate: PC
- Halogen free
- UV resistant
Material of the support: - PC
- Colour: grey RAL 737

Self-extinguishing:

- + 850° C / 30 s for insulating parts holding live parts in place
- + 650° C / 30 s for other parts made of insulating materials.

■ 5.3 Electrical characteristics

Voltage: 250 VAC
Current: 16 A

■ 5.4 Climatic characteristics

Storage and usage temperature: - 5° C to + 35° C

6. MAINTENANCE

Surface cleaning with a cloth.
Do not use: acetone, tar remover, trichloroethylene.

Maintenance with the following products: Hexane (EN 60669-1), Methylated spirit, Soapy water, Diluted ammonia, Bleach diluted to 10%, Window-cleaning products.

Caution: A preliminary test should be carried out if other specific cleaning products are to be used.

7. STANDARDS AND APPROVALS

Compliance with standards of installation and manufacturing.
Refer to e. catalogue.