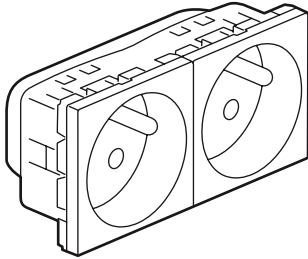
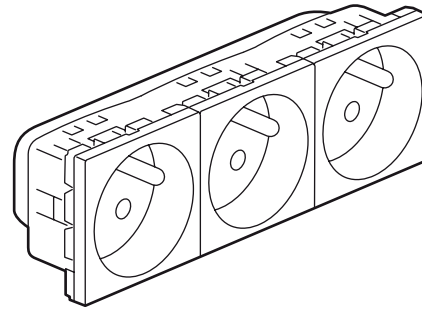


Mosaic™ Multi-support multiple socket outlets Franco-Belgian standard

Cat. No(s): 0 771 42/43/44/52/53/54/62/63/72/73/74
0 791 63/92 - 0 792 72/73



0 771 42



0 771 43

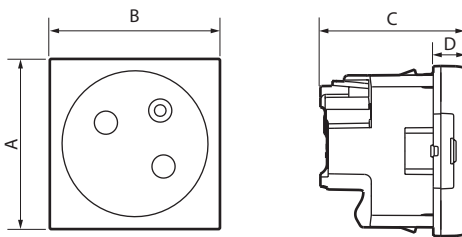
1. USE

2 P+E pre-wired socket outlets - 45° - inclined. For installation in flush-mounting box, surface-mounting box, floor box, column module, desktop multi-outlet extension and office module.

2. RANGE

	White	Alu	Red	Green	Anthracite
2 x 2 P+T	0 771 42	0 792 72	0 771 72	0 771 62	0 791 92
3 x 2 P+T	0 771 43	0 792 73	0 771 73	0 771 63	0 791 63
4 x 2 P+T	0 771 44	-	0 771 74	-	-
2 x 2 P+T tamperproof	-	-	0 771 52	-	-
3 x 2 P+T tamperproof	-	-	0 771 53	-	-
4 x 2 P+T tamperproof	-	-	0 771 54	-	-

3. DIMENSIONS (mm)



Cat. Nos	A	B	C	D
0 771 42/52/62/72 - 0 792 72 - 0 791 92	45	90	40	8
0 771 43/53/63/73 - 0 792 73 - 0 791 63	45	135	40	8
0 771 44/54/74	45	180	40	8

4. CONNECTION

Type of terminals: automatic
Number of terminals: 3 inputs, 3 outputs
Terminal capacity: 1.5 mm² or 2.5 mm²
Stripping length: 13 mm
Flexible or rigid cables

5. MECHANICAL CHARACTERISTICS

■ 5.1 Mechanical characteristics

Penetration by solid bodies and liquids: IP 40
Impact test: IK 07

■ 5.2 Material characteristics

Halogen free
UV resistant
Base: ABS
Cover plate: PC White RAL 9003
PC painted Aluminium
ABS Anthracite colour

Self-extinguishing:

+ 850° C / 30 s for insulating parts holding live parts in place.
+ 650° C / 30 s for other parts made of insulating materials.

■ 5.3 Electrical characteristics

Current: 16 A
Voltage: 250 V~

■ 5.4 Climatic characteristics

Storage temperature: - 10° C to + 70° C
Use temperature: - 5° C to 35° C

6. CLEANING

Surface cleaning with a cloth.

Do not use: acetone, tar remover or trichloroethylene.

Resistance to the following products:

Hexane (EN 60669-1), methylated spirit, soapy water, diluted ammonia, diluted pure bleach 10%, glass cleaning products, pre-impregnated wipes.

Anios, Surfanos, Bactilyline, Hydrogen peroxide (35%).

Caution: A preliminary test should be carried out if other specific cleaning products are to be used.

7. ACCESSORIES

Cat. No 0 502 99: tamperproof insert for tamperproof sockets.

8. STANDARDS AND APPROVALS

Compliant with installation and manufacturing standards.
See e-catalogue.