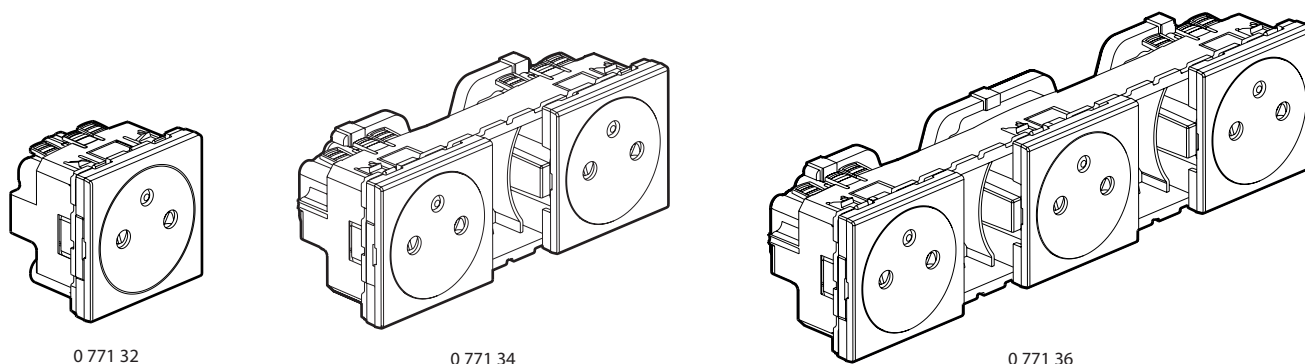


Mosaic™ Flush-fit socket outlets Franco-Belgian standard

Cat. No(s): 0 771 32/33/34/35/36 - 0 787 04
 0 791 32/34/36 - 0 793 42/44/46



1. USE

2 P+E surface socket outlet for installation in flush-mounting box, surface-mounting box, workstation kit, floor box, column module, desktop multi-outlet extension and trunking.
 Facilitates cleaning and avoids the accumulation of dirt.

Antimicrobial* sockets:

These products are made of silver-ion based antimicrobial* material. This technology eliminates bacteria, fungi and viruses without creating any immunisation or resistance effects (physical, rather than chemical, destruction).

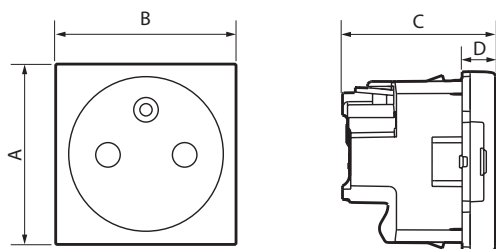
Particularly suitable for healthcare establishments (hospitals, clinics, nursing homes, laboratories, waiting rooms, etc.) and more generally for areas subject to hygiene restrictions (industrial, shared and restaurant kitchens, waste, etc.).

These products offer an additional way of ensuring the non-proliferation of bacteria, fungi and viruses without interfering with cleaning protocols.

2. RANGE

	White	Alu	Red	Green	Anthracite
2 P+E flush-fit socket antimicrobial*	0 771 32	-	0 771 33	0 787 04	-
2 P+E flush-fit socket antimicrobial* with indicator light	0 771 35	-	-	-	-
2 P+E flush-fit socket	-	0 793 42	-	-	0 791 32
2 x 2 P+E flush-fit socket pre-wired	0 771 34	0 793 44	-	-	0 791 34
3 x 2 P+E flush-fit socket pre-wired	0 771 36	0 793 46	-	-	0 791 36

3. DIMENSIONS (mm)



References	A	B	C	D
0 771 32/33/35 - 0 787 04 - 0 793 42 - 0 791 32	45	45	38.5	8.5
0 771 34 - 0 793 44 - 0 791 34	45	116	38.5	8.5
0 771 36 - 0 793 46 - 0 791 36	45	187	38.5	8.5

4. CONNECTION

Type of terminals: automatic
 Number of terminals: 3 inputs, 3 outputs
 Terminal capacity: 2 x 2.5 mm²
 Stripping length: 12 mm

5. TECHNICAL CHARACTERISTICS

■ 5.1 Mechanical characteristics

Protection against solid bodies and liquids: IP 41
 Protection against impacts: IK 04

■ 5.2 Material characteristics

Halogen-free
 UV-resistant
 Bases: PC
 Covers: PC White RAL 9003
 PC color painted Aluminium
 ABS Anthracite

Covers for antimicrobial* references: PC + antimicrobial* treatment.

Self-extinguishing:

850°C/30 s for insulating parts holding live parts in place.
 650°C/30 s for other parts made of insulating materials.

■ 5.3 Electrical characteristics

Voltage: 250 V~
 Current: 16 A

■ 5.4 Climate characteristics

Storage temperature: - 10°C to + 70°C
 Operating temperature: - 5°C to + 35°C

6. CLEANING

Surface cleaning with a cloth.
 Do not use: acetone, tar remover, trichloroethylene.

■ 6.1 Resistance to the cleaning products:

Hexane (NF C 61-314), Methylated spirit, Soapy water, Diluted ammonia, Pure bleach diluted to 10%, products, Pre-impregnated wipes.

■ 6.2 Resistance to hospital-grade cleaning products:

Anios, Surfanios, Bactylisine, hydrogen peroxide (35%).

Caution: Always test before using other special cleaning products.

7. ACCESSORIES

Indicator light for:

Socket outlet	LED indicator with 2 wires to cable
0 771 35	0 676 64 (230 V - 2.4 mA)

8. STANDARDS AND APPROVALS

Compliance with standards of installation and manufacturing.
See e. catalogue.

* Contains silver ions that limit the development of bacteria on the surface.