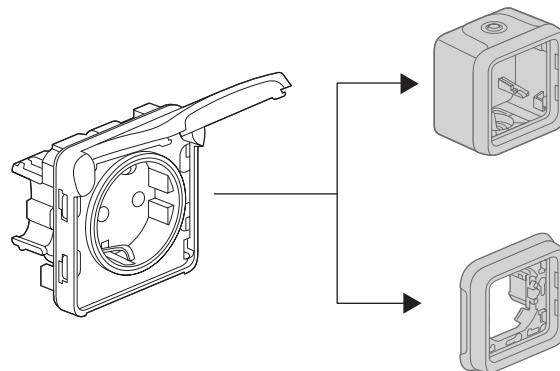


Plexo™

2 P+E socket outlets - German Standard

Cat. No(s): 0 695 70 - 0 696 40

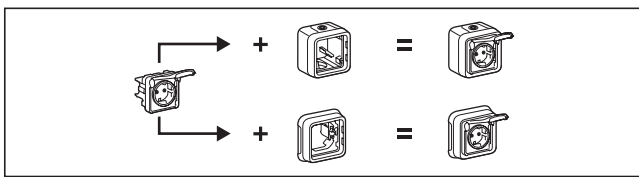


1. USAGE

Weatherproof wiring devices system intended for residential and professional technical premises (garages, cellars, car parks, workshops and industrial kitchens, etc.) as well as outdoor environments (patios, terraces, gardens, camping sites, etc.).
 2 P+E socket outlets with protective shutters.

2. RANGE

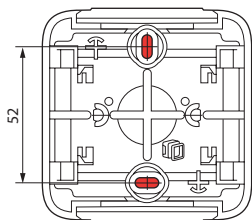
2 versions: grey and white			References
Configurable		Prise 2 P+T	0 695 70 0 696 40
Surface-mounting Complete		Prise 2 P+T	0 697 xx
Flush-mounting Complete		Prise 2 P+T	0 698 xx



3. PREPARATION

■ 3.1 Surface-mounting

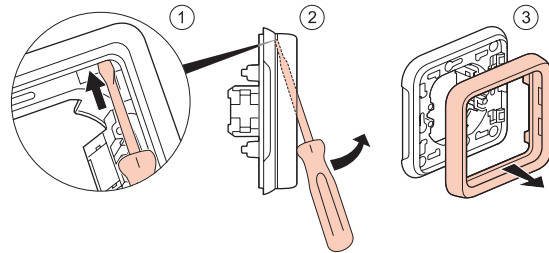
- By screwing the base box onto the support using 2 screws Ø 3-4 mm max.



3. PREPARATION

■ 3.2 Flush-mounting

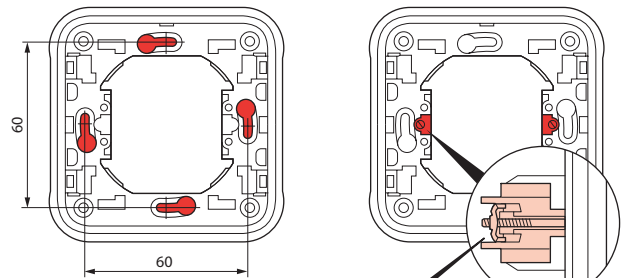
- Frame dismantling



■ 3.2 Flush-mounting

- By screwing onto a flush-mounting box

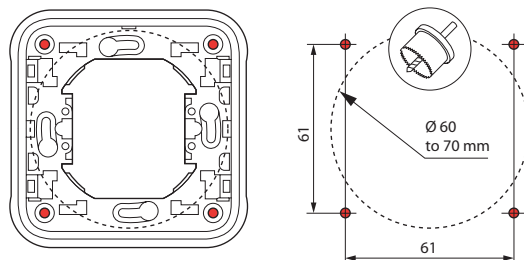
- By claws onto a flush mounting box



Possibility to place claws:
 Cat. No. 0 849 00 or Cat. No. 0 849 01 (long claw)

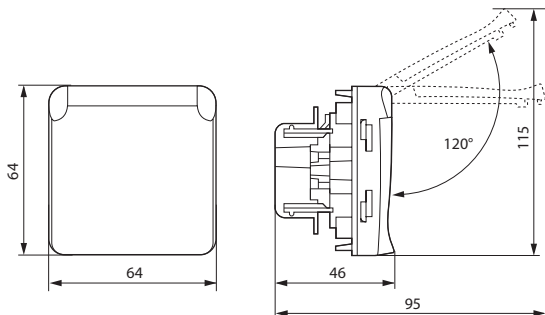
- By face plate using 4 screws Ø 4 mm

Piercing of support material for diameter 60-70 mm using cylinder saw or punch.

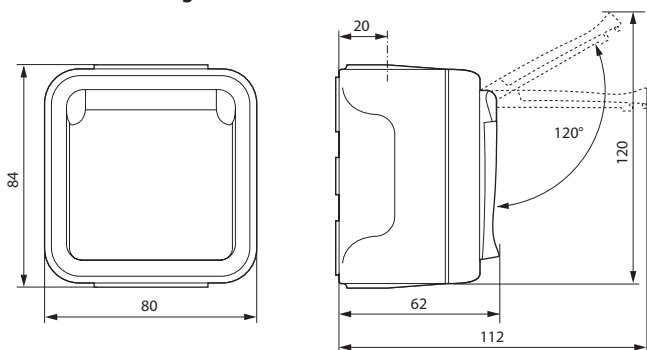


4. OVERALL DIMENSIONS (mm)

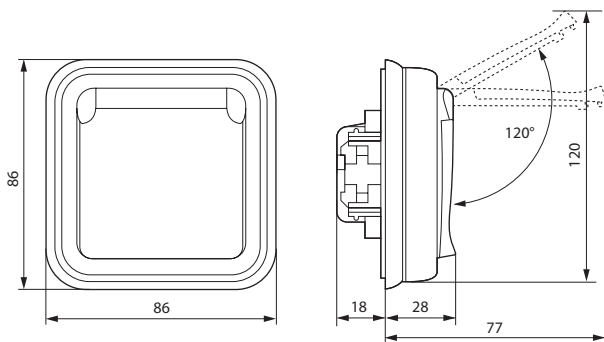
■ Configurable



■ Surface-mounting

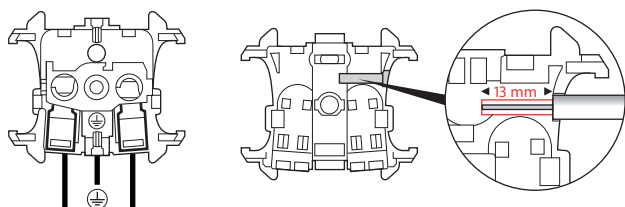


■ Flush-mounting



5. CONNECTION

■ Connection to conductors



Type of terminals: automatic
Terminal capacity: 1.5 mm² - 2.5 mm² (1 or 2 conductors)
Stripping length: 13 mm

6. TECHNICAL CHARACTERISTICS

■ 6.1 Protection index (shutter closed)

Protection against solid bodies and liquids: IP 55
Protection against impact: IK 07

■ 6.2 Material characteristics

Box, support: PP (reinforced polypropylene)
Plate, shutter: ABS
Outlet gland: PP + SEBS
Mechanism: PC

UV resistant

Resistance to salt spray: 7 days (168 h)

Self-extinguishing:

+ 850°C / 30 s for insulating components holding in place live parts.
+ 650°C / 30 s for the other insulating components.

■ 6.3 Electrical characteristics

Current: 16 A

Voltage: 250 V~

Frequency: 50 Hz

■ 6.4 Climatic characteristics

Storage temperature: - 25° C to + 70° C

Use temperature: - 25° C to + 40° C

7. CLEANING

Surface cleaning with dry cloth or cloth dipped in soapy water.
Do not use acetone, tar remover or trichloroethylene.

Caution: A test should be carried out before using any specific cleaners.

8. STANDARDS AND APPROVALS

Compliance with standards of installation and manufacturing.
Refer to e. catalogue.