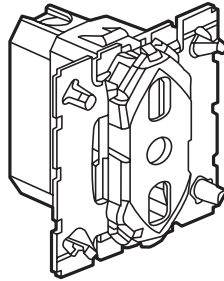


Céliane™
Italian standard socket outlet

Cat. No(s): 671 56



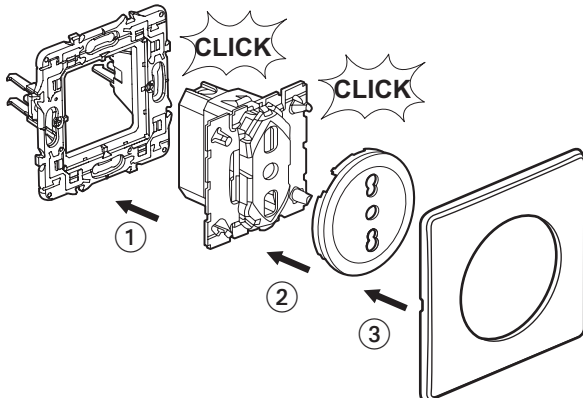
1. USE

Socket outlet to Italian standard.

2. RANGE

Designation	Designation	Cat. Nos	Nbr. of modules	Connection method	Fixing method	Weight (g)	Caractéristiques générales
	Italian standard 2P+E socket	671 56	1	with screws	with clips	24.70	10A/16A - 250V~

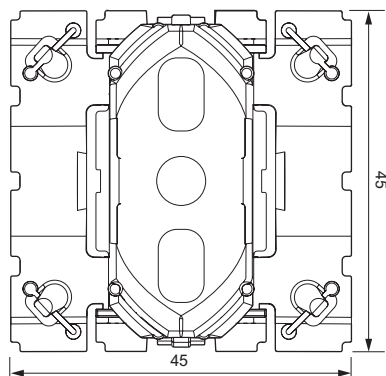
3. INSTALLATION



- 1 - Clip the front of the mechanism onto the support frame.
- 2 - Clip the cover plate onto the mechanism.
- 3 - Clip the plate onto the support frame.

The mechanism can be flush or surface-mounted.

4. OVERALL DIMENSIONS



5. CONNECTION

Terminal type: saddle
Terminal capacity: 2 x 4 mm²
Stripping length: 9 mm

6. OPERATION

Conventional operation by inserting or removing an industry-standard plug.

7. TECHNICAL DATA

7.1 Mechanical characteristics

Impact resistance: IK 04
Penetration by solid/liquid bodies: IP 20

7.2 Material characteristics

Mechanism: Reinforced polycarbonate
Cover plate: Polycarbonate

7.3 Electrical characteristics

Mech. self-extinguishing properties : 850 °C / 30 s

7.4 Climatic characteristics

Storage temperature: -10 °C to +70 °C
Operating temperature: -5 °C to +50 °C