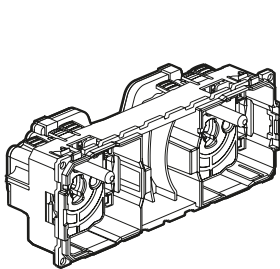
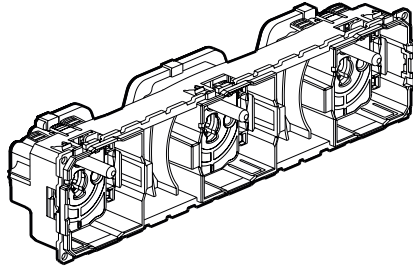


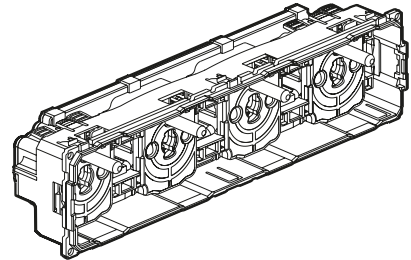
**Pre-wired socket outlets  
 Franco-Belgian standard**



0 671 24



0 671 26



0 671 28

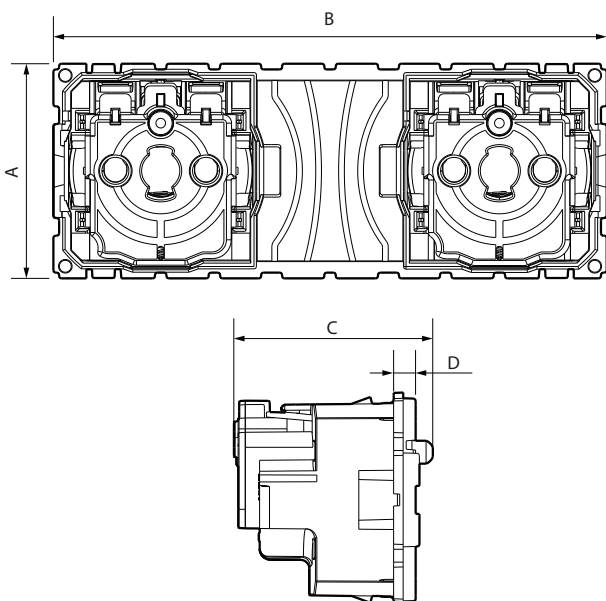
**1. USE**

Pre-wired socket outlets, allow depending on the coverplate associated, to realize Surface or standard power outlets.

**2. RANGE**

Description	References
<b>Double socket</b> 2 x 2 P+E pre-wired. To be mounted on support Cat. No 0 802 52 with a plate 2 gang	0 671 24
<b>Triple socket</b> 3 x 2 P+E pre-wired To be mounted on support Cat. No 0 802 53 with a plate 3 gang	0 671 26
<b>Compact quadruple socket</b> 4 x 2 P+E pre-wired. To be mounted on support Cat. No 0 802 53 with a special plate 6/8 modules	0 671 28

**3. OVERALL DIMENSIONS (mm)**



**3. OVERALL DIMENSIONS (mm) (continued)**

References	A	B	C	D
0 671 24	45	116	42	8.5
0 671 26	45	187	42	8.5
0 671 28	45	180	42	8.5

**4. CONNECTION**

Type of terminals: with automatic color coding  
 Number of terminals: 3 inputs, 3 outputs  
 Terminal capacity: 2 x 2.5 mm<sup>2</sup>  
 Stripping length: 12 mm

**5. TECHNICAL CHARACTERISTICS**

**5.1 Mechanical characteristics**

Impact test: IK 04  
 Penetration by solid bodies/liquid: IP 40

**5.2 Material characteristics**

Polycarbonate  
 Halogen free  
 Self-extinguishing:  
 + 850° C / 30 s for insulating parts holding live parts in place.  
 + 650° C / 30 s for other parts made of insulating materials

**5.3 Electrical characteristics**

Current: 16 A  
 Voltage: 250 V~

**5.4 Climatic characteristics**

Storage temperature: - 10° C to + 70° C  
 Use temperature: - 5° C to 50° C

**6. CLEANING**

Surface cleaning with a cloth.  
 Do not use: acetone, tar remover, trichloroethylene.

**7. STANDARDS AND APPROVALS**

Compliant with installation and manufacturing standards.  
 See e-catalogue.