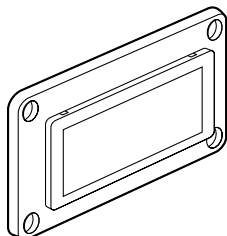
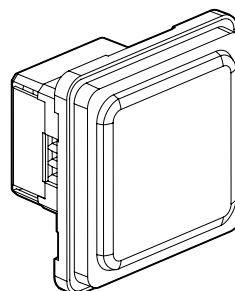


## Soliroc™ IK 10 high resistance Luminous sign - Beaconsing lighting

Cat. No(s): 778 67/68



778 67



778 68

### 1. USE

Soliroc sign and beaconsing lighting with LEDs and a pivoting window for insertion of printed labels. The new Soliroc IK10 programme guarantees robust impact resistance in environments that are hazardous or without surveillance, whether indoors or outdoors (warehouses, public buildings, motorway services, offices, shops, schools, hospital institutions, prisons, etc.). Example: lighting stairway steps.

#### The 5 commitments of the SOLIROC range

**Security:** The IK10 rating (20 joule impact energy) guarantees optimal impact resistance and protection against vandalism. It is impossible to tear off a SOLIROC switch due to the use of four zamak sealing plugs pressed into the plate (removable only by drilling).

**Reliability:** The IP55 rating guarantees a long useful lifetime, whether indoors or outdoors. All external parts are made of zamak for optimal robustness.

**Practicality:** The plate is thin, thereby limiting the amount of possible grip and reducing the risk of it being torn off. Minimal space exists between parts, guaranteed by the IP5X rating (impenetrable by solid bodies greater than 1 mm in diameter and protected against dust).

**Installation:** Depends on the nature of the building. We recommend using 50 mm-deep multi-material or concrete BATIBOX mounting boxes (40 mm accepted).

To guarantee the best tear-off resistance:

- Attach the SOLIROC plates using 4 standard screws (4 mm diameter, 40 mm length).
- Select wall plugs according to the nature of the walls. For concrete walls, we recommend that you use expanding nylon wall plugs (6 mm diameter, useful length 40 mm).

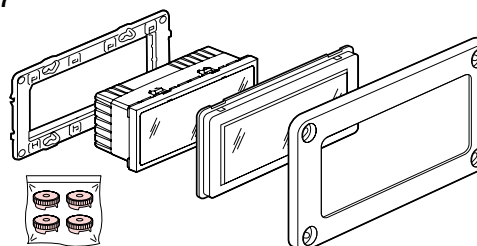
**Quality control:** factory inspection according to ISO 9001/9002 procedures

### 2. RANGE

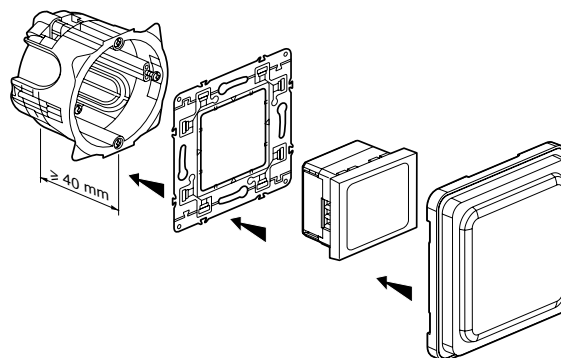
	Designation	Cat. No.	Nbr. of modules	Connection method	Weight (g)	General characteristics
	Beaconsing lighting	778 67	5	automatic	211	230 V 2 W
	Luminous sign	778 68	2	automatic	124	230 V 0.2 W ou 1 W

### 3. INSTALLATION

778 67

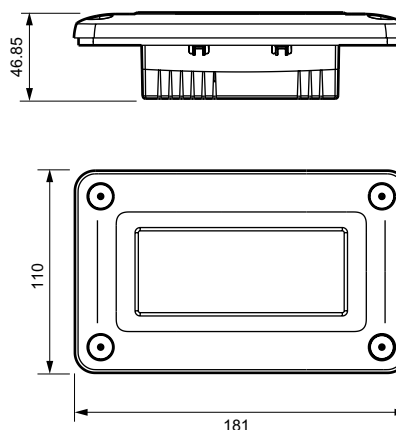


778 68



### 4. OVERALL DIMENSIONS

778 67

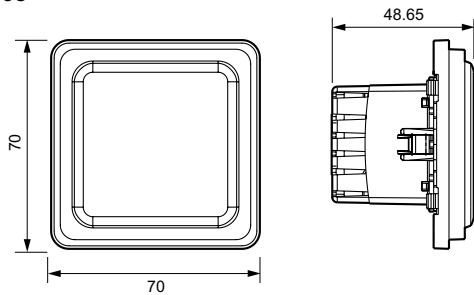


# Soliroc™ IK 10 high resistance Luminous sign - Beaconing lighting

Cat. No(s): 778 67/68

## 4. OVERALL DIMENSIONS (cont.)

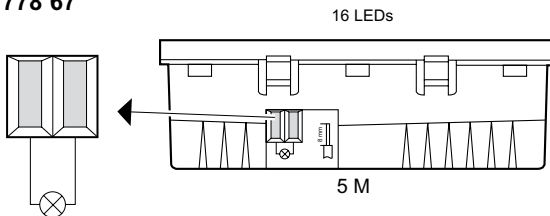
778 68



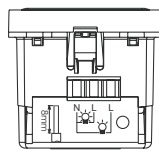
## 5. CONNECTION

Terminal capacity: 1 x 2.5 mm<sup>2</sup> or 2 x 1.5 mm<sup>2</sup>  
Type of connection: automatic terminals  
Stripping length: 8 mm

778 67



778 68



## 6. OPERATION

The 778 67 beaconing lighting is fitted with white LEDs (2 W) for lighting stairway steps.  
The 778 68 luminous sign is fitted with white LEDs for locating products (2 power levels 0.2 W and 1 W).  
Both products are fitted with a pivoting window for the insertion of labels.

## 7. TECHNICAL DATA

### 7.1 Mechanical characteristics

Impact resistance: IK 10  
Penetration by solid bodies/liquids: IP 55

### 7.2 Material characteristics

Mechanism: grey polycarbonate  
Rocker: zamak  
Sub-plate made of polycarbonate  
Surface treatment: copper plating + acid copper plating + matt nickel plating + approximately 0.1 mm thick chrome plating.  
Colour: matt chrome grey.  
SEBS sealing membrane.

### Self-extinguishing:

- 850°C/30 s for insulating parts holding live parts in place  
- 650°C/30 s for other parts made of insulating materials.

### 7.3 Climatic characteristics

Storage temperature: - 10° C to + 70° C  
Operating temperature: - 5° C to + 40° C

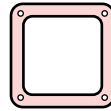
## 8. MAINTENANCE CLEANING

Bound to cleaning agents without damage agents as:  
Hexane, Alcohol burning, Agent for the window, Washing diluted bleach 10%, Graffiti remover, Acetone, White spirit, Gasoline F.

## 9. ACCESSORIES

### 9.1 Foam seals

Material: EPDM (Ethylene, Propylene, Diene, Monomer).  
Compensates for major wall defects.



778 85  
1-gang



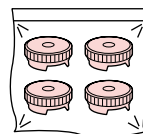
778 86  
2-gang (horizontal/vertical)



778 87  
3-gang (horizontal/vertical)

### 9.2 Sealing plug

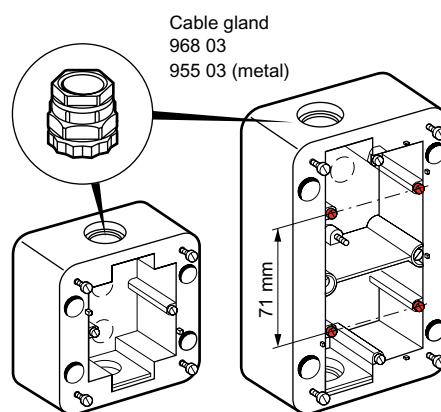
Spare plugs delivered in bags of 4, with 5 bags to a box and 10 boxes to a carton.



778 96

### 9.3 Surface mounting frames

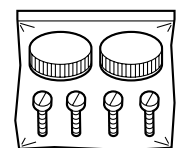
Material: polyester  
Max. depth: 38 mm  
ISO 20 cable glands can be mounted:  
Cat. No. 968 03 (+ nut 968 43) and Cat. No. 955 03 (+ nut 979 83)  
Tested according to the flame of the lighter.



Cable gland  
968 03  
955 03 (metal)

778 90  
1-gang

778 92  
2-gang (horizontal/vertical)



Supplied with bag  
2 plugs + 4 screws

## 10. STANDARD AND APPROVALS

- NF EN 62094-1 (may-2003).