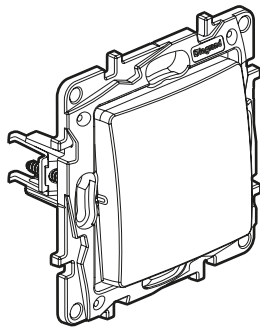
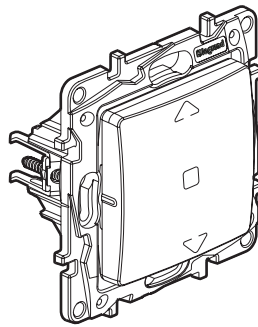


Niloé™ Push-button 6 A

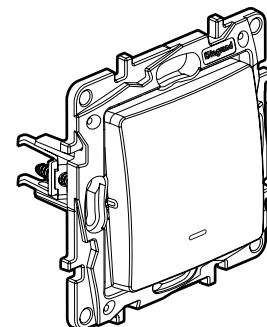
Cat. No(s): 7 645 07/08/12/22 - 7 646 07/08/12/22



7 645 07 - 7 646 07



7 645 12 - 7 646 12



7 645 22 - 7 646 22

1. USE

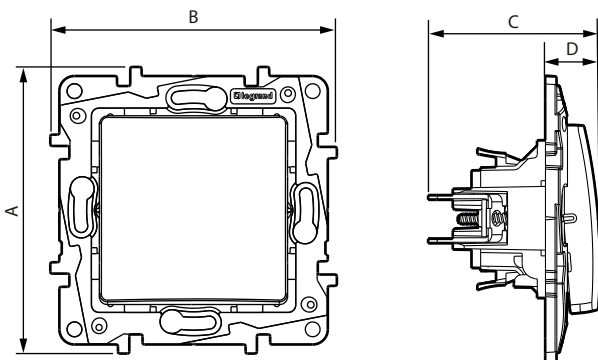
Lighting control mechanisms.
Supplied with rockers and support frames.
To be equipped with one-gang or multi-gang plates.
Flush or surface mounting.
Fixing with screws or/and claws.

2. RANGE

PUSH-BUTTON 6 A - 250 V~ - with claws

Description	White	Ivory
Push-button NO-NC	7 645 07	7 646 07
Double push-button	7 645 08	7 646 08
Roller blind push-button	7 645 12	7 646 12
Lighting push-button NO-NC	7 645 22	7 646 22

3. DIMENSIONS (mm)



A	B	C	D
76	76	45.5	14.5

4. CONNECTION

Screw terminals:

Cat. Nos 7 645 12 - 7 646 12

Terminal capacity: 2 x 2.5 mm²

Stripping length: 8 mm

Compatible with flexible or rigid cables.

Automatic terminals:

Cat. Nos 7 645 07/08/22 - 7 646 07/08/22

Terminal capacity: 2 x 2.5 mm²

Stripping length: 13 mm

Compatible with flexible or rigid cables.

5. TECHNICAL CHARACTERISTICS

■ 5.1 Mechanical characteristics

Protection against solid bodies and liquids: IP20

Protection against impacts: IK 04

■ 5.2 Material characteristics

Polyglass appearance

Colour: - White RAL 9003

- Ivory RAL 1013

Material: - Mechanism housing: PC

- Rocker plate: ABS

- Halogen free

- UV resistant

- Claws: steel

Material of the support:

- PC grey RAL 7037

- PC grey RAL 7037 + 10 % glass fiber for Cat. Nos 7 64x 12

- Halogen free

Self-extinguishing:

+ 850° C / 30 s for insulating parts holding live parts in place.

+ 650° C / 30 s for other parts made of insulating materials.

■ 5.3 Electrical characteristics

Voltage: 250 V~

Current: 6 A

Frequency: 50/60 Hz

■ 5.4 Climatic characteristics

Storage temperature: - 10° C to + 70° C

Use temperature: - 5° C to + 40° C

6. MAINTENANCE

Surface cleaning with a cloth.

Do not use: acetone, tar remover, trichloroethylene.

Maintenance with the following products: Hexane (EN 60669-1), Methylated spirit, Soapy water, Diluted ammonia, Bleach diluted to 10%, Window-cleaning products.

Caution: A preliminary test should be carried out if other specific cleaning products are to be used.

7. STANDARDS AND APPROVALS

Compliant with installation and manufacturing standards.

See e-catalogue.