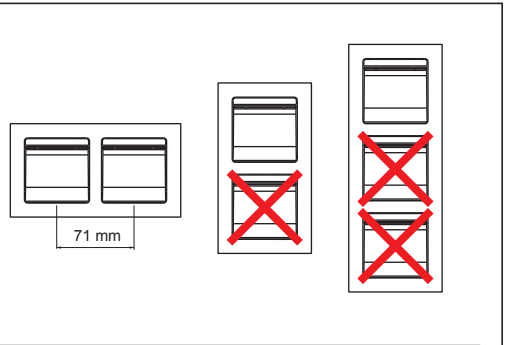
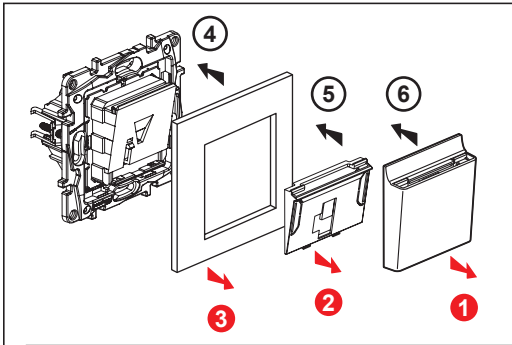
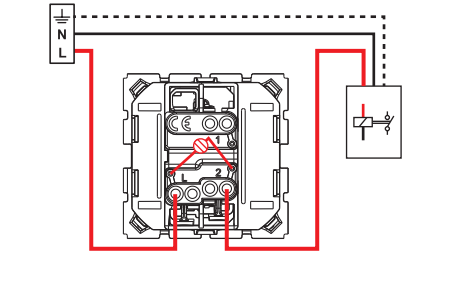


 -5°C ... +40°C	 U, f, I	100 W max. LED
 -10°C ... +70°C	40 mm 250 V~ 50 / 60 Hz 6 A	 12 mm 1...2,5 mm ²



8 631 46, 8 633 46, 8 634 46, 8 635 46, 8 640 15



8 640 14

